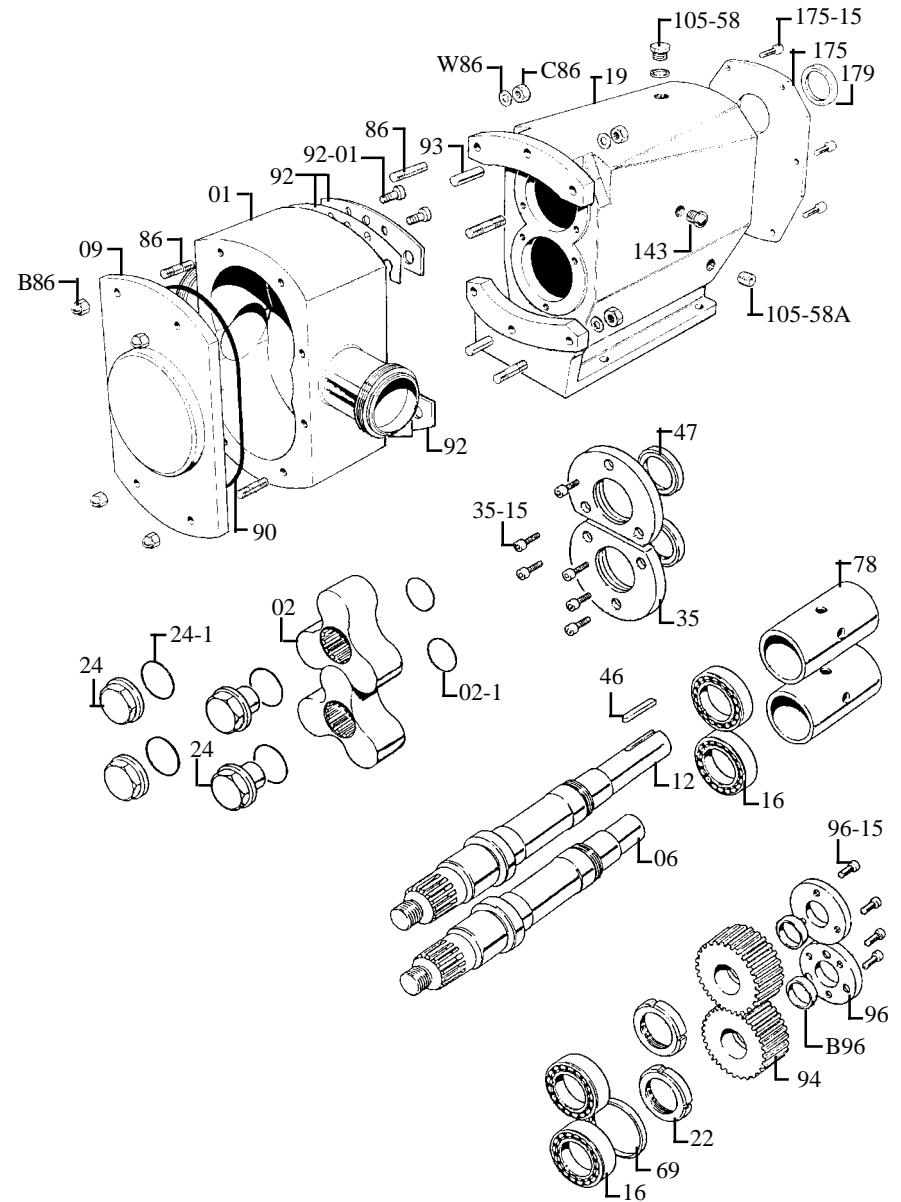


PARTS LIST

TSR1 & TSR2

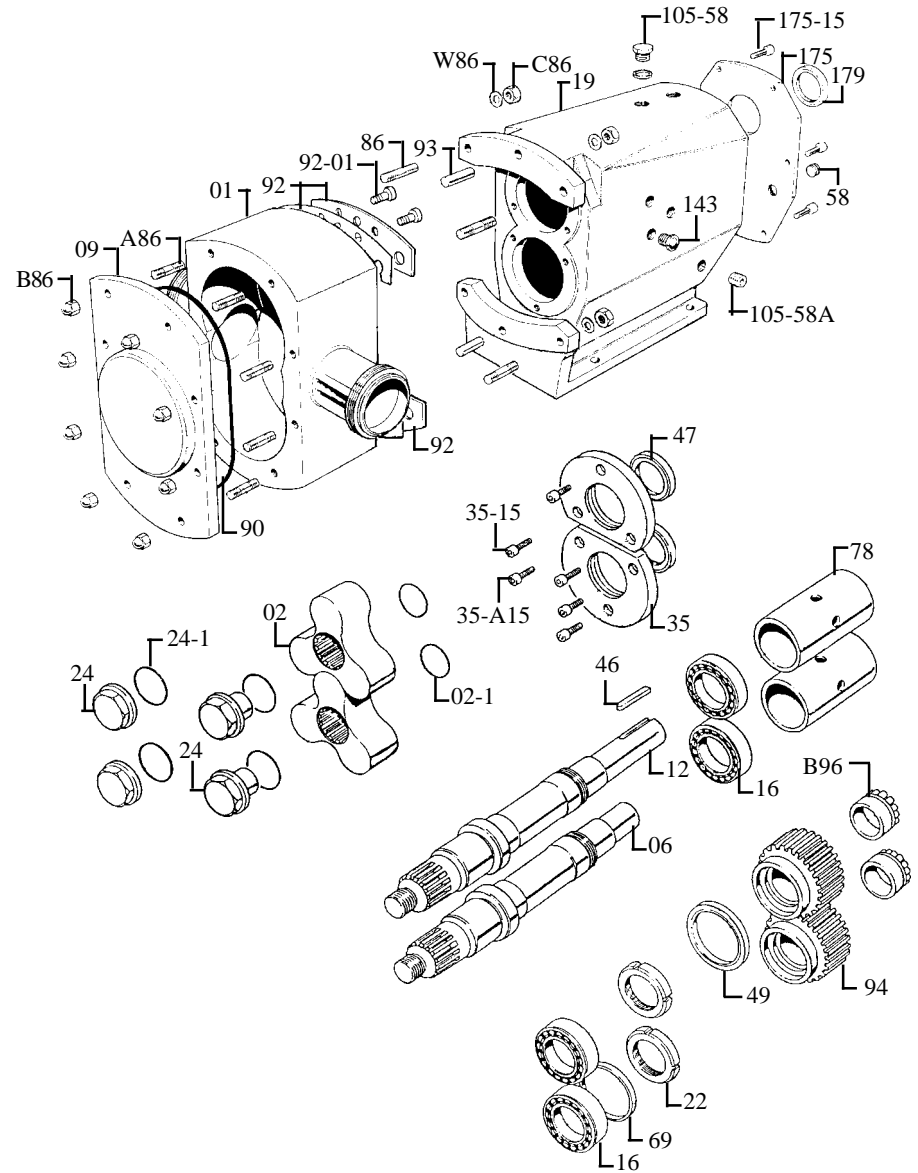
Key Number	Description
01	Casing
02	Rotor
02-1	O-ring Rotor
06	Pump Shaft
09	Front Cover
12	Drive Shaft
16	Bearing
19	Gearcase
22	Locknut
24	Rotor Nut
24-1	O-Ring Rotor Nut
35	Brg. Front Cover
35-15	Screw Brg. Front Cover
46	Key Coupling
47	Seal Inb'd Brg
69	Spacer Shaft Alignment
78	Spacer Brg.
86	Stud - Casing
B86	Nut - Front Cover
C86	Nut - Casing
W86	Washer
90	O-Ring - Front Cover
92	Shimset
92-01	Shim Retainer Screw
93	Pin - FR. Alignment
94	Timing Gear
96	Clamp Plate
96-15	Screw - Clamp Plate
B96	Locking Element
105-58A	Drain Plug - Oil
105-58	Filler Plug - Oil
143	Sight Level - Oil
175	Gearcover
175-15	Screw - Gearcover
179	Seal, Gearcover



PARTS LIST

TSR4* & TSR5*

Key Number	Description
01	Casing
02	Rotor
02-1	O-Ring Rotor
06	Pump Shaft
09	Front Cover
12	Drive Shaft
16	Bearing
19	Gearcase
22	Locknut
24	Rotor Nut
24-1	O-Ring Rotor Nut
35	Brg. Front Cover
35-15	Screw Brg. Front Cover
35-A15	Screw Brg. Front Cover
46	Key Coupling
47	Seal Inb'd Brg.
49	Seal Outb'd Brg.
58	Plug Pressure Taper
69	Spacer Shaft Alignment
78	Spacer Brg.
86	Stud - Casing R.C., G.C.
A86	Stud - Casing F.C., R.C
B86	Nut - Front Cover
C86	Nut - Casing
W86	Washer
90	O- Ring - Front Cover
92	Shimset
92-01	Shim Retainer Screw
93	Pin - FR. Alignment
94	Timing Gear
B96	Locking Element
105-58A	Drain Plug - Oil
105-58	Filler Plug - Oil
143	Sight Level - Oil
175	Gearcover
175-15	Screw - Gearcover
179	Seal, Gearcover

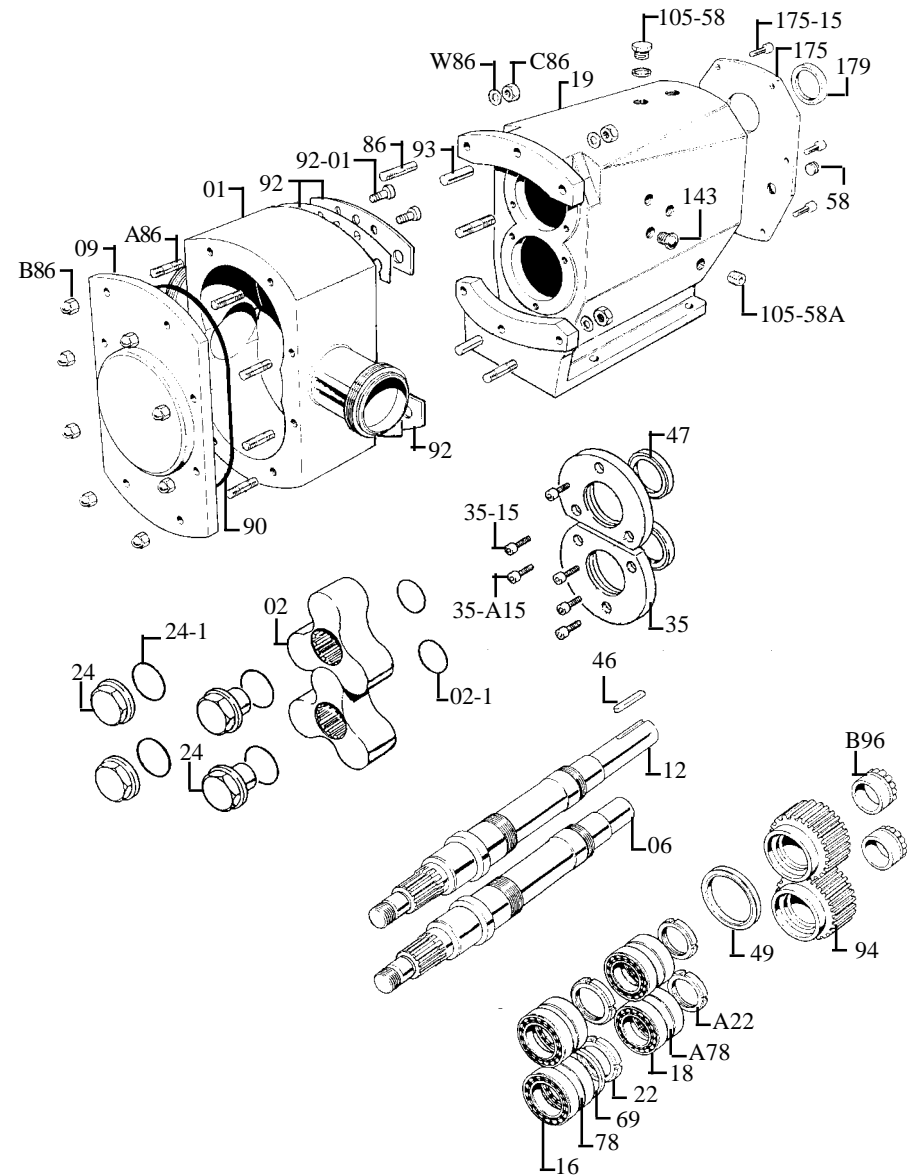


*For TSR4 / N or W / SS and TSR5 / N or W / SS

PARTS LIST

TSR4* & TSR5*

Key Number	Description
01	Casing
02	Rotor
02-1	O-Ring Rotor
06	Pump Shaft
09	Front Cover
12	Drive Shaft
16	Bearing Inb'd
18	Bearing Outboard
19	Gearcase
22	Locknut Inb'd Brg.
A22	Locknut Outb'd Brg.
24	Rotor Nut
24-1	O-Ring Rotor Nut
35	Brg. Front Cover
35-15	Screw Brg. Front Cover
35-A15	Screw Brg. Front Cover
46	Key Coupling
47	Seal Inb'd Brg
49	Seal Outb'd Brg.
58	Plug Pressure Taper
69	Spacer Shaft Alignment
78	Spacer Brg. - Inb'd
A78	Spacer Brg. - Outb'd
86	Stud - Casing R.C., G.C.
A86	Stud - Casing F.C., R.C.
B86	Nut - Front Cover
C86	Nut - Casing
W86	Washer
90	O-Ring - Front Cover
92	Shimset
92-01	Shim Retainer Screw
93	Pin - FR. Alignment
94	Timing Gear
B96	Locking Element
105-58A	Drain Plug - Oil
105-58	Filler Plug - Oil
143	Sight Level - Oil
175	Gearcover
175-15	Screw - Gearcover
179	Seal, Gearcover



*For TSR4 / N or W / LS or LD and TSR5 / N or W / LS or LD

PARTS LIST

TSR6

Key Number	Description
01	Casing
02	Rotor
02-1	O-Ring Rotor
06	Pump Shaft
09	Front Cover
12	Drive Shaft
16	Bearing Inb'd
18	Bearing Outboard
19	Gearcase
22	Locknut Inb'd Brg.
A22	Locknut Outb'd Brg.
24	Rotor Nut
24-1	O-Ring Rotor Nut
34	Rotor Locking As'bly
35	Brg. Front Cover
35-15	Screw Brg. Front Cover
35-A15	Screw Brg. Front Cover
46	Key Coupling
47	Seal Inb'd Brg.
49	Seal Outb'd Brg.
58	Plug Pressure Taper
69	Spacer Shaft Alignment
78	Spacer Brg. - Inb'd
A78	Spacer Brg. - Outb'd
86	Stud - Casing R.C., G.C.
A86	Stud - Casing F.C., R.C.
B86	Nut - Front Cover
C86	Nut - Casing
W86	Washer
90	O-Ring - Front Cover
92	Shimset
92-01	Shim Retainer Screw
93	Pin - FR. Alignment
94	Timing Gear
B96	Locking Element
105-58A	Drain Plug - Oil
105-58	Filler Plug - Oil
143	Sight Level - Oil
175	Gearcover
175-15	Screw - Gearcover
179	Seal, Gearcover

