

PARTS LIST

ORDERING INFORMATION

All orders for repair parts must contain the following:

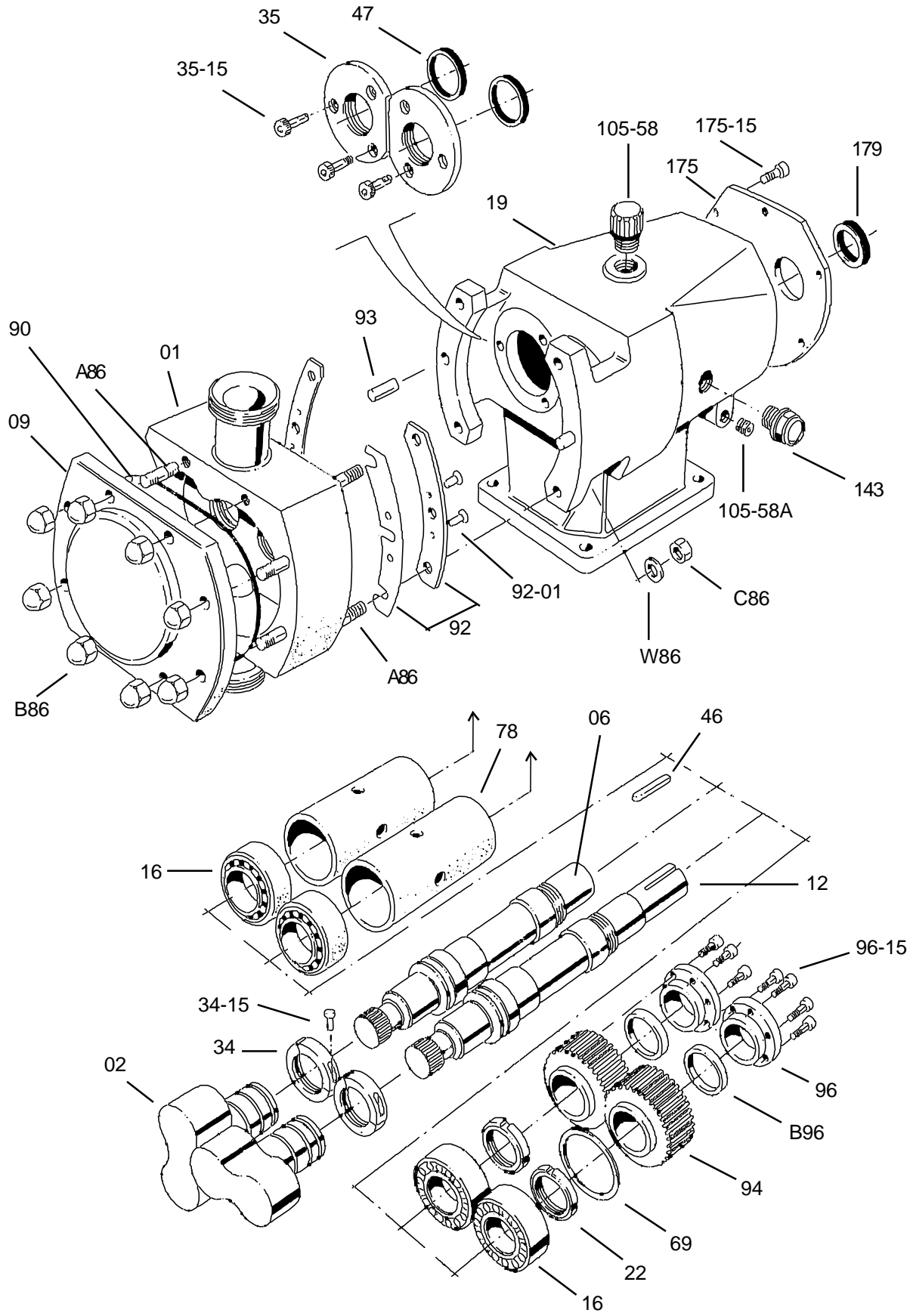
1. Complete model number (located on nameplate).
2. Pump serial number (located on nameplate).
3. Description and part key number from the parts list.

The exploded view and parts key facilitate ordering repair parts from Tri-Clover. All parts for the CL pump are keyed to the parts list.

PARTSLIST-TSK1, TSK2, AND TSK3

Key #	DESCRIPTION	Key	DESCRIPTION
34	Rotor Clamp	35-15	Screws, Front Seal Carrier
34-15	Screws, Rotor Clamp	46	Key
01	Rotor Case	47	Lip Seals, Gland End
02	Rotors	69	Spacer, Shaft Abutment
06	Shaft Auxiliary	78	Spacer, Shaft
09	Cover, Rotor Case	A86	Stud, Rotor Case
105-58	Filter Plug (oil)	90	'O' Ring Front Cover
105-58A	Drain Plug (oil)	92	Shim
12	Shaft Drive	92-01	Stud, Gear Case
143	Sight Level (oil)	93	Dowel
16	Bearings	94	Timing Gear
175	Cover, Gear Case	96	Clamp Plate
175-15	Screw, Rear Cover	96-15	Caphead Screws, Clamp Plate
179	Lip Seal Drive End	B86	Dome Nuts, Front Cover
19	Gear Case	B96	Torque Locking Element
22	Nut, Bearing	C86	Nut, Gear Case Stud
35	Retainer, Seal	W86	Washer, Gear Case Stud

EXPLODEDVIEW-TSK1,TSK2,&TSK3



PARTS LIST

PARTSLIST-TSK4ANDTSK5

Key	DESCRIPTION	Key	DESCRIPTION
34	Rotor Clamp	35	Retainer, Seal
34-15	Screws, Rotor Clamp	35-A15	Screws, Front Seal Carrier
01	Rotor Case	46	Key
02	Rotors	47	Lip Seals, Gland End
06	Shaft, Auxiliary	69	Spacer, Shaft Abutment
09	Cover, Rotor Case	90	O-ring
105-58	Filter Plug (oil)	92	Shim
105-58A	Drain Plug (oil)	92-01	Stud, Gear Case
12	Shaft, Drive	93	Dowel
143	Sight Level Oil	94	Timing Gear
16	Nut, Bearing	A78	Spacer, Bearing
175	Cover, Gear Case	A22	Spacer, Bearing
175-15	Screw, Rear Cover	A86	Stud, Rotor Case
179	Lip Seal Drive End	B86	Dome Nuts, Front Cover
18	Bearings, Rear	B96	Torque Locking Assembly
19	Gear Case	C86	Nut, Gear Case Stud
22	Bearings, Front	W86	Washer, Gear Case Stud

EXPLODEDVIEW-TSK4&TSK5

