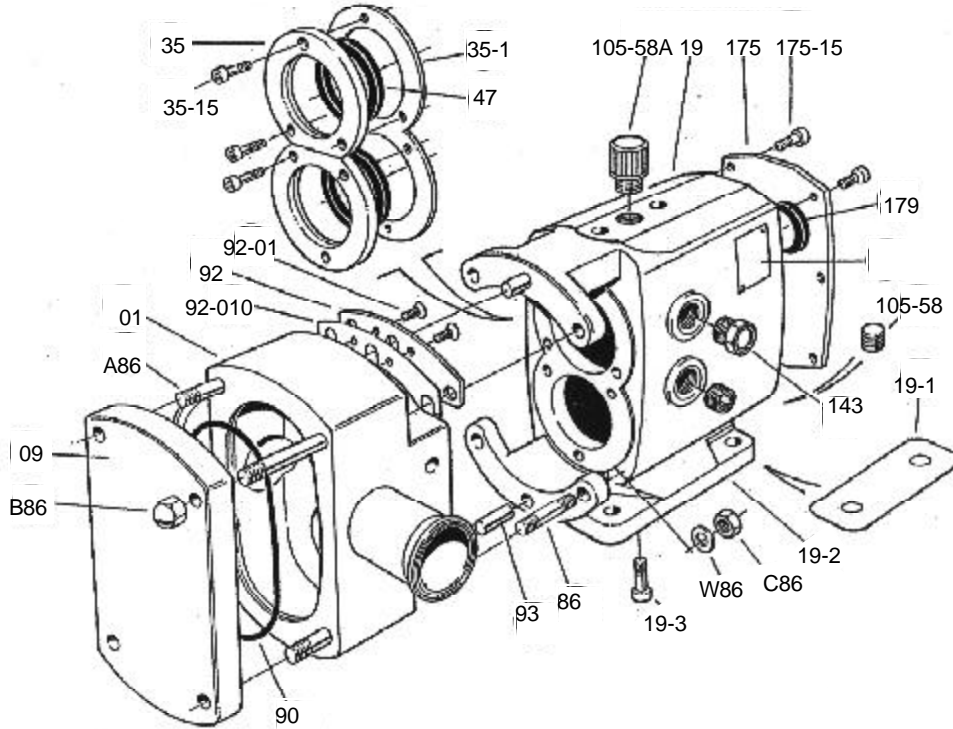


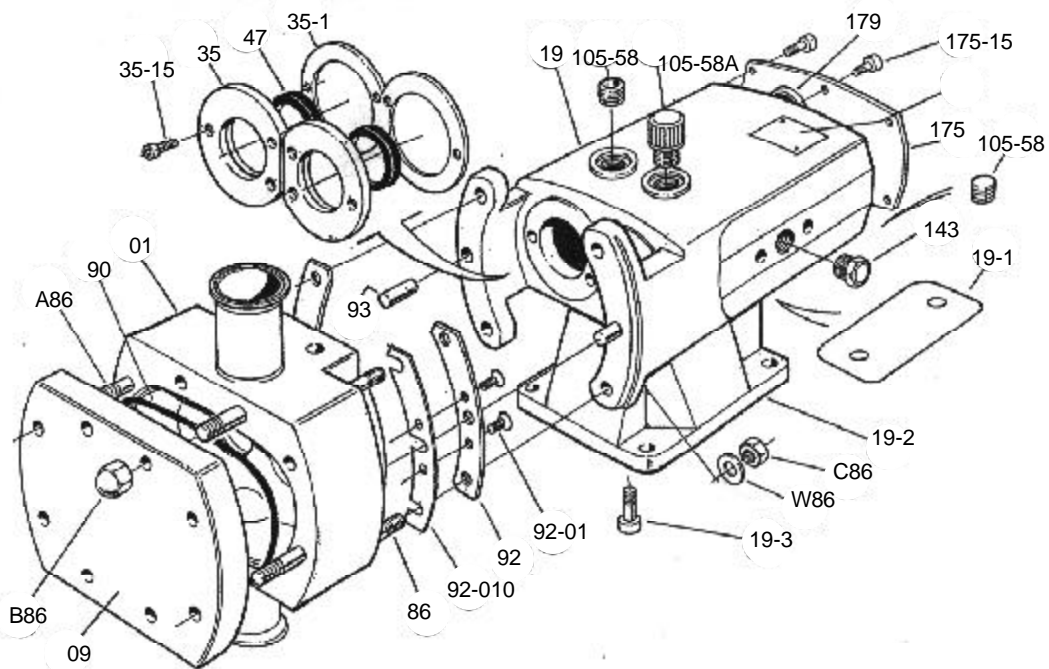
PARTS LIST

PUMP CASE AND GEAR CASE

HORIZONTALLY PORTED



VERTICALLY PORTED



Parts List

HORIZONTALLY AND VERTICALLY PORTED PUMPS TCIP 1, 2, 3, 4 PUMP CASE AND GEAR CASE

Key No.	Description	TCIP1	TCIP2	TCIP3	TCIP4	Qty.
01	Rotorcase	Narrow TCIP1N-01-001	TCIP2N-01-001	TCIP3N-01-001	TCIP4N-01-001	1
		Wide TCIP1W-01-001	TCIP2W-01-001	TCIP3W-01-001	TCIP4W-01-001	1
09	Cover, rotorcase	TCIP1-09	TCIP2-09	TCIP3-09	TCIP4-09	1
19	Gearcase	TCIP1-19-001	TCIP2-19-001	TCIP3-19-001	TCIP4-19-001	1
19-1	Foot gasket	Vert. Ports TCIP1-19-1-001	TCIP2-19-1-001	TCIP3-19-1-001	TCIP4-19-1-001	1
		Horz. Ports TCIP1-19-1-002	TCIP2-19-1-002	TCIP3-19-1-002	TCIP4-19-1-002	1
19-2	Foot	Vert. Ports TCIP1-19-2-001	TCIP2-19-2-001	TCIP3-19-2-001	TCIP4-19-2-001	1
		Horz. Ports TCIP1-19-2-002	TCIP2-19-2-002	TCIP3-19-2-002	TCIP4-19-2-002	1
19-3	Bolt, Foot	TCIP1-19-3	TCIP2-19-3	TCIP3-19-3	TCIP4-19-3	2
35	Retainer, seal	TCIP1-35	TCIP2-35	TSR3-35	TCIP4-35	2
35-1	Gasket	TCIP1-35-1	TCIP2-35-1	TSR3-35-1	TCIP4-35-1	1
35-15	Screws, front seal carrier	TSR1-131-15	TCIP2-35-15	TCIP2-35-15	TCIP4-35-15	6
47	Lip seals, gland end	TCIP1-47	TCIP2-47	TSR6-179-001	TSR4-47-004	2
86	Stud, rotorcase/ gearcase	TCIP1N-86 (TCIP 1/NLD) TSR1-86-001(TCIP 1/WLD)	TSR2-86-001	TSR3-86-001	TSR4-86-001	4
A86*	Stud, rotorcase/ cover	TSR1-86* (qty. 4)	TSR2-86 (qty. 4)	TSR3-86 (qty. 8)	TSR5-82-001 (qty. 8)	
B86	Dome nuts, front cover	TSR1-B86 (qty. 4)	TSR2-B86 (qty. 4)	TSR2-B86 (qty. 8)	TSR2-B86 (qty. 8)	
C86	Nut, gearcase stud	TSR1-C86	TSR2-C86	TSR2-C86	TSR4-C86	4
W86	Washer, gearcase stud	TSR1-W86	TSR2-W86	TSR2-W86	TSR4-W86	4
90**	Compression joint frontcover	TCIP1-90-SFY	TCIP2-90-SFY	TCIP3-90-SFY	TCIP4-90-SFY	1
		TCIP1-90-X	TCIP2-90-X	TCIP3-90-X	TCIP4-90-X	1
		TCIP1-90-E	TCIP2-90-E	TCIP3-90-E	TCIP4-90-E	1
92	Shim retainer	TCIP1-92	TCIP2-92	TCIP3-92	TCIP4-92	2
92-01	Shim retainer screws	TSR1-92-01	TSR1-92-01	TSR1-92-01	TSR1-92-01	4
92-010	Shim	TCIP1-92-010	TCIP2-92-010	TCIP3-92-010	TCIP4-92-010	1
93	Dowel	TSR1-93	TSR1-93	TSR3-93	TCIP4-93	2
105-58	Drain plug, oil	TCIP1-105-58	TCIP1-105-58	TCIP1-105-58	TCIP1-105-58	2
105-58A	Filler plug, oil (Breather Plug)	TSR4-105-58	TSR4-105-58	TSR4-105-58	TSR4-105-58	1
143	Sight level, oil	TSR1-143	TSR1-143	TSR1-143	TSR1-143	1
175	Cover, gearcase	TCIP1-175	TCIP2-175	TCIP3-175	TCIP4-175	1
175-15	Screw, rear cover	TSR1-131-15	TSR1-131-15	TSR1-131-15	TCIP4-35-15	6
179	Lip seal drive end	TSR1-179-001	TSR2-179-001	TSR3-179-001	TSR4-179-001	1

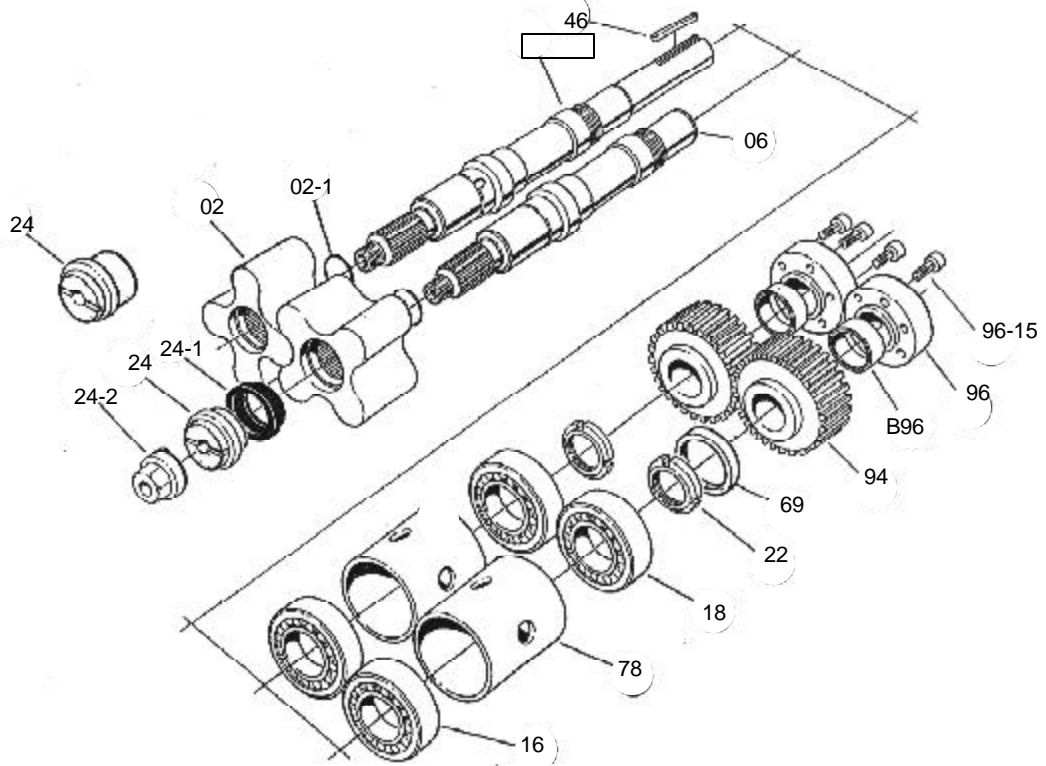
* Not available on TCIP 1/NLD

** SFY-VITON, X-SILICONE, E-EPDM

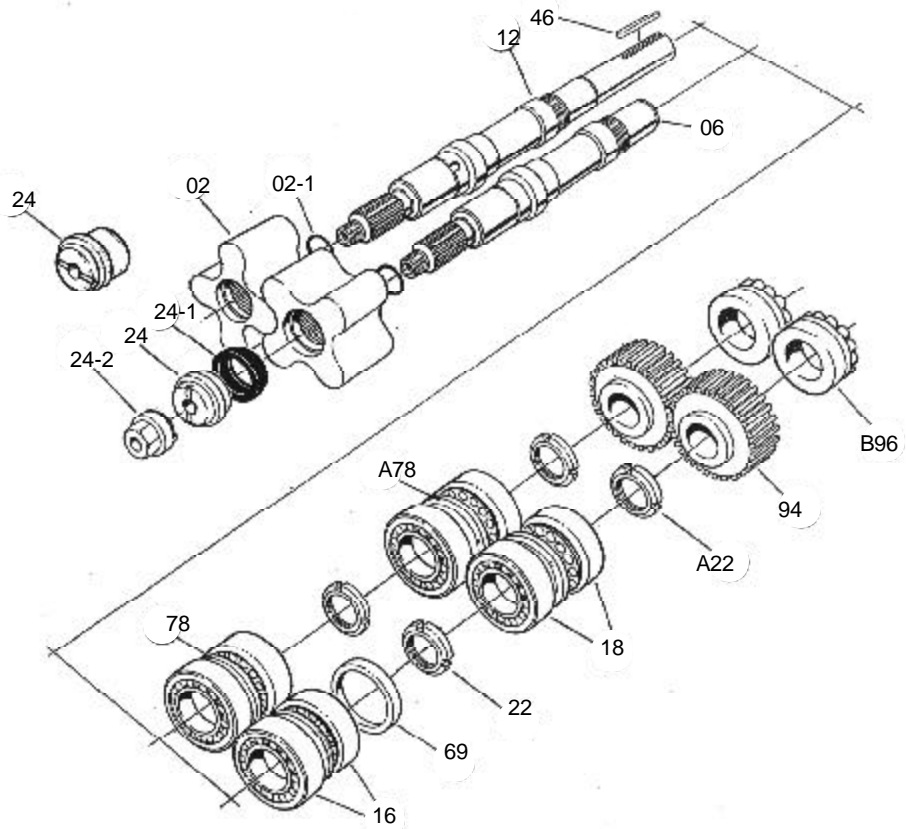
PARTS LIST

Rotor Shaft and Bearing Assembly

TCIP 1, 2 & 3



TCIP 4



Parts List

HORIZONTALLY AND VERTICALLY PORTED PUMPS TCIP 1, 2, 3, 4

Rotor Shaft and Bearing Assembly

Key No.	Description	TCIP1	TCIP2	TCIP3	TCIP4	Qty.
02	Rotors	6 bar (TCIP1N)	TCIP1N-02-06			2
		12 bar (TCIP1N)	TCIP1N-02-12			2
		3 bar (TCIP1W)	TCIP1W-02-03			2
		7 bar (TCIP1W)	TCIP1W-02-07			2
02	Rotors	5 bar (TCIP2N, TCIP3N, TCIP4N)TCIP2N-02-05	TCIP3N-02-05	TCIP4N-05-05	2	
		10 bar (TCIP2N, TCIP3N, TCIP4N)TCIP2N-02-10	TCIP3N-02-10	TCIP4N-02-10	2	
		15 bar (TCIP2N, TCIP3N, TCIP4N)TCIP2N-02-15	TCIP3N-02-15	TCIP4N-02-15	2	
		3 bar (TCIP2W, TCIP3W)	TCIP2W-02-03	TCIP3N-02-03		2
		7 bar (TCIP2W, TCIP3W)	TCIP2W-02-07	TCIP3N-02-07		2
		5 bar (TCIP4W)			TCIP4W-02-05	2
	10 bar (TCIP4W)			TCIP4W-02-10	2	
02-1*	O ring, rotor sealing shaft end	TCIP1-02-1-SFY*	TCIP2-02-1-SFY*	TCIP3-02-1-SFY*	TCIP4-02-1-SFY*	2
		TCIP1-02-1-X*	TCIP2-02-1-X*	TCIP3-02-1-X*	TCIP4-02-1-X*	2
		TCIP1-02-1-E*	TCIP2-02-1-E*	TCIP2-02-1-E*	TCIP4-02-1-E*	2
06	Shaft, auxiliary	DX	TCIP1-06-001†	TCIP2-06-001	TCIP3-06-001	1
		DX	TCIP1-06-002††			1
12	Shaft, drive	DX	TCIP1-12-001†	TCIP2-12-001	TCIP3-12-001	1
		DX	TCIP1-12-002††			1
16	Bearings, front	TSR1-16	TCIP2-16	TSR3-16	TCIP4-16 (qty. 4)	2
18	Bearings, rear	TSR1-16	TCIP2-16	TSR3-16	TCIP4-18 (qty. 4)	2
22	Nut, bearing	TCIP1-22	TSR2-22	TSR3-22	TSR4-22	2
A22	Nut, Bearing (rear)	—	—	—	TSR4-A22	2
24	Rotor retention device	TCIP1-24-001	TCIP2-24-001†	TCIP3-24-001†	TCIP4-24-001†	2
			TCIP2-24-002††	TCIP3-24-002††	TCIP4-24-002††	2
24-1*	Cup seal, rotor sealing	TCIP1-24-1-SFY*	TCIP2-24-1-SFY*	TCIP3-24-1-SFY*	TCIP4-24-1-SFY*	2
		TCIP1-24-1-X*	TCIP2-24-1-X*	TCIP3-24-1-X*	TCIP4-24-1-X*	2
		TCIP1-24-1-E*	TCIP2-24-1-E*	TCIP3-24-1-E*	TCIP4-24-1-E*	2
24-2	Rotor retainer removal tool	TCIP1-24-2	TCIP1-24-2	TCIP1-24-2	TCIP4-24-2	
46	Key	TSR1-46	TSR2-46	TSR3-46	TSR2-46	1
69	Spacer, shaft abutment	TSR1-69	TCIP2-69	TSR3-69	TCIP4-69	1
78	Spacer, Bearing	TCIP1-78	TCIP2-78	TSR3-78-002	—	2
78	Spacer, Bearing (front)	—	—	—	TCIP4-78	2
A78	Spacer, Bearing (rear)	—	—	—	TCIP4-A78	2
94	Timing gear	TCIP1-94	TCIP2-94	TSR3-94-002	TCIP4-94	2
96	Clamp plate	TSR1-96	TSR2-96	TSR3-96	—	2
96-15	Screws, clamp plate	TSR1-35-15	TSR1-35-15		6	
B96	Torque locking element	TSR1-B96	TSR2-B96	TSR3-B96 (qty. 4)	TSR4-B96	2

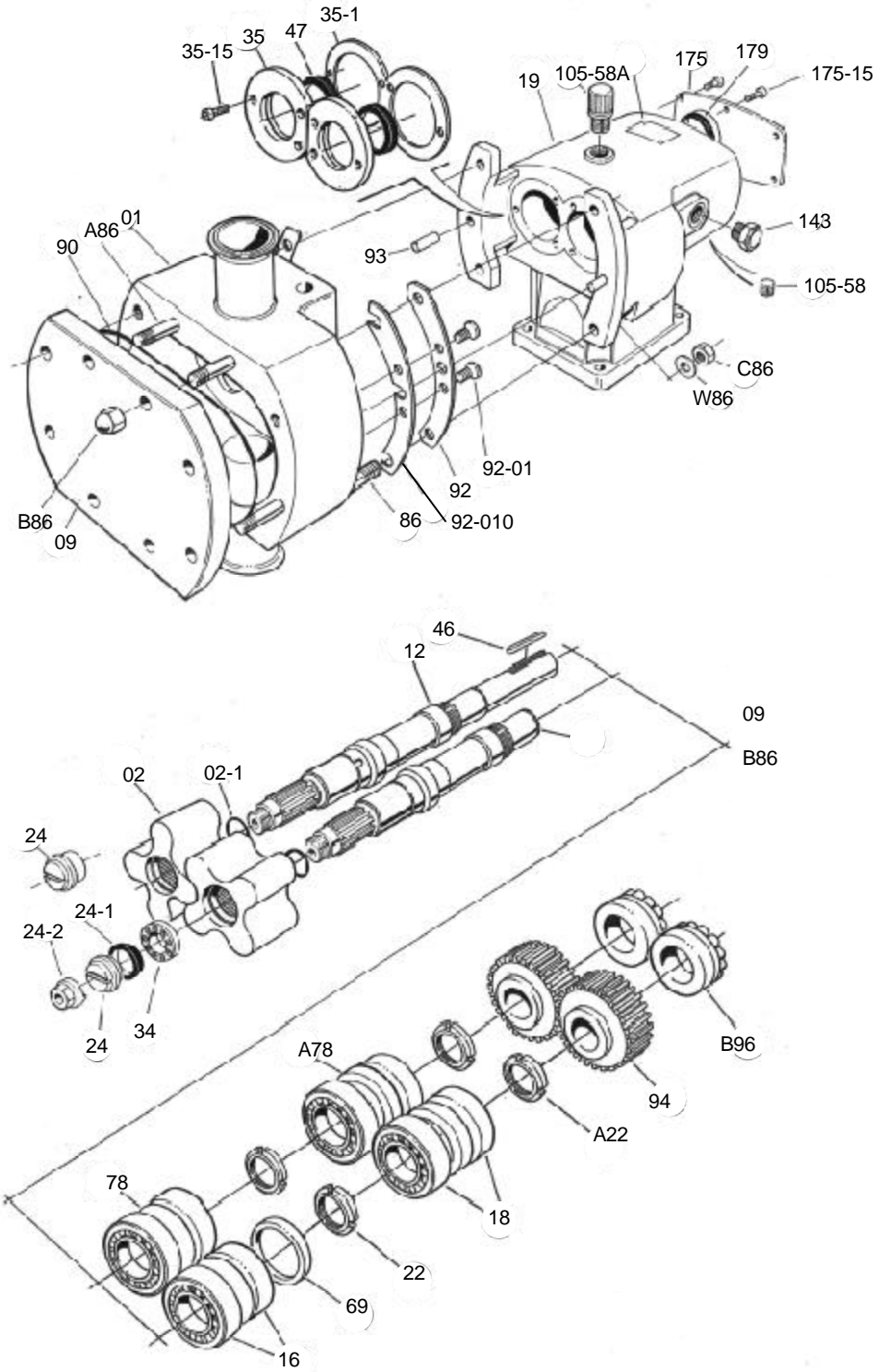
* SFY - VITON, X - SILICONE, E - EPDM

†Narrow

††Wide

PARTS LIST

VERTICALLY PORTED PUMPS TCIP 5, 6, 7



Parts List

VERTICALLY PORTED PUMPS TCIP 5, 6, 7

Key No.	Description	TCIP5	TCIP6	TCIP7	Qty.	
01	Rotorcase	Narrow Wide	TCIP5N-01-001 TCIP5W-01-001	TCIP6N-01-001 TCIP6W-01-001	TCIP7N-01-001 TCIP7W-01-001	1 1
02	Rotors	15 bar (TCIP5N, 6N, 7N) 10 bar (TCIP5W, 6W, 7W)	TCIP5N-02-15 TCIP5W-02-10	TCIP6N-02-15 TCIP6W-02-10	TCIP7N-02-15 TCIP7W-02-10	2 2
02-1*	O-Ring, rotor sealing shaft end	TCIP5-02-1-SFY* TCIP5-02-1-X* TCIP5-02-1-E*	TCIP6-02-1-SFY* TCIP6-02-1-X* TCIP6-02-1-E*	TCIP7-02-1-SFY* TCIP7-02-1-X* TCIP7-02-1-E*	2 2 2	
06	Shaft, auxiliary	TCIP5-06-001	TCIP6-06-001 [†] TCIP6-06-002 ^{††}	TCIP7-06-001 [†] 1 TCIP7-06-002 ^{††}	1 1 1	
09	Cover, rotorcase	TCIP5-09	TCIP6-09	TCIP7-09	1	
12	Shaft, drive	TCIP5-12-001	TCIP6-12-001 [†] TCIP6-12-002 ^{††}	TCIP7-12-001 [†] TCIP7-12-002 ^{††}	1 1 1	
16	Bearing, front	TCIP5-16	TSR6-16	TCIP7-16	4	
18	Bearings, rear	TCIP5-18	TSR5-16-002A	TSR6-16	4	
19	Gearcase	TCIP5-19	TCIP6-19	TCIP7-19	1	
22	Nut, bearing (front)	TSR5-A22	TSR6-A22	TSR8-22	2	
A22	Nut, bearing (rear)	TSR5-A22	TSR5-22	TSR6-A22	2	
24	Rotor retention device	Narrow Wide	TCIP5-24-001 TCIP5-24-002	TCIP6-24-001 TCIP6-24-001	TCIP6-24-001 TCIP6-24-001	2 2
24-1*	Cup seal, rotor sealing	TCIP5-24-1-SFY* TCIP5-24-1-X* TCIP5-24-1-E*	TCIP6-24-1-SFY* TCIP6-24-1-X* TCIP6-24-1-E*	TCIP6-24-1-SFY* TCIP6-24-1-X* TCIP6-24-1-E*	2 2 1	
24-2	Rotor retainer removal tool	TCIP4-24-2	TCIP4-24-2	TCIP4-24-2		
34	Torque locking assembly, rotor		TSR4-B96	TSR4-B96		
35	Retainer, seal	TSR5-35-002	TSR6-35	TCIP7-35	2	
35-1	Gasket	TSR5L-35-1	TSR6L-35-1	TCIP7-35-1	1	
35-15	Screws, front seal carrier	TCIP4-35-15	TCIP4-35-15	TCIP7-35-15	6	
46	Key	TSR5-46	TSR5-46	TCIP7-46	1	
47	Lip seals, gland end	TSR5-47-004	TSR6-47-003	TCIP7-47	2	
69	Spacer, shaft abutment	TSR5-69-002	TSR6-69	TCIP7-69	1	
78	Spacer, Bearing (front)	TCIP5-78	TCIP6-78	TCIP7-78	2	
A78	Spacer, Bearing (rear)	TCIP5-A78	TCIP6-A78	TCIP6-78	2	
86	Stud, gearcase / rotorcase	TSR4-86-001	TSR6-86-001	TCIP7-86	4	
A86	Stud, gearcase / cover	TSR5-82-001	TSR4-86	TSR4-86	8	
B86	Dome nuts, front cover	TSR2-B86	TSR6-B86	TSR6-B86	8	
C86	Nut, gearcase stud	TSR4-C86	TSR6-C86	TSR6-C86	4	
W86	Washer, gearcase stud	TSR4-W86	TSR6-W86	TSR6-W86	4	

Parts List

VERTICALLY PORTED PUMPS TCIP 5, 6, 7 (CONTINUED)

Key No	Description	TCIP5	TCIP6	TCIP7	Qty.
90*	Compression joint front cover	TCIP5-90-SFY*	TCIP6-90-SFY*	TCIP7-90-SFY*	1
		TCIP5-90-X*	TCIP6-90-X*	TCIP7-90-X*	1
		TCIP5-90-E*	TCIP6-90-E*	TCIP7-90-E*	1
92	Shim retainer	TCIP5-92	TCIP6-92	TCIP7-92	2
92-01	Shim retainer screws	TSR1-92-01	TSR1-92-01	TSR1-92-01	4
92-010	Shim	TCIP5-92-010	TCIP6-92-010	TCIP7-92-010	1
93	Dowel	TSR3-93	TSR6-93	TSR6-93	2
94	Timing gear	TSR5-94	TSR6-94	TCIP7-94	2
B96	Torque locking assembly	TSR5-B96	TSR5-B96	TSR8-B96	2
105-58	Drain plug, oil	TCIP1-58	TCIP1-58	TCIP1-58	2
105-58A	Filler plug, oil (Breather Plug)	TSR4-105-58	TSR4-105-58	TSR4-105-58	1
143	Sight level, oil	TSR1-143	TSR1-143	TSR1-143	1
175	Cover, gearcase TCIP5-175	TCIP6-175	TCIP7-175	1	
175-15	Screw, rear cover	TCIP4-35-15	TCIP4-35-15	TCIP4-35-15	6
179	Lip seal drive end	TSR5-179-001	TSR6-179-001	TCIP7-179	1