

# PARTS LIST

## SP SERIES-ALL MODELS

All orders for repair parts must contain the following data.

1. Complete model number (located on nameplate).
2. Pump serial number (located on nameplate).
3. Description and part number from parts list.

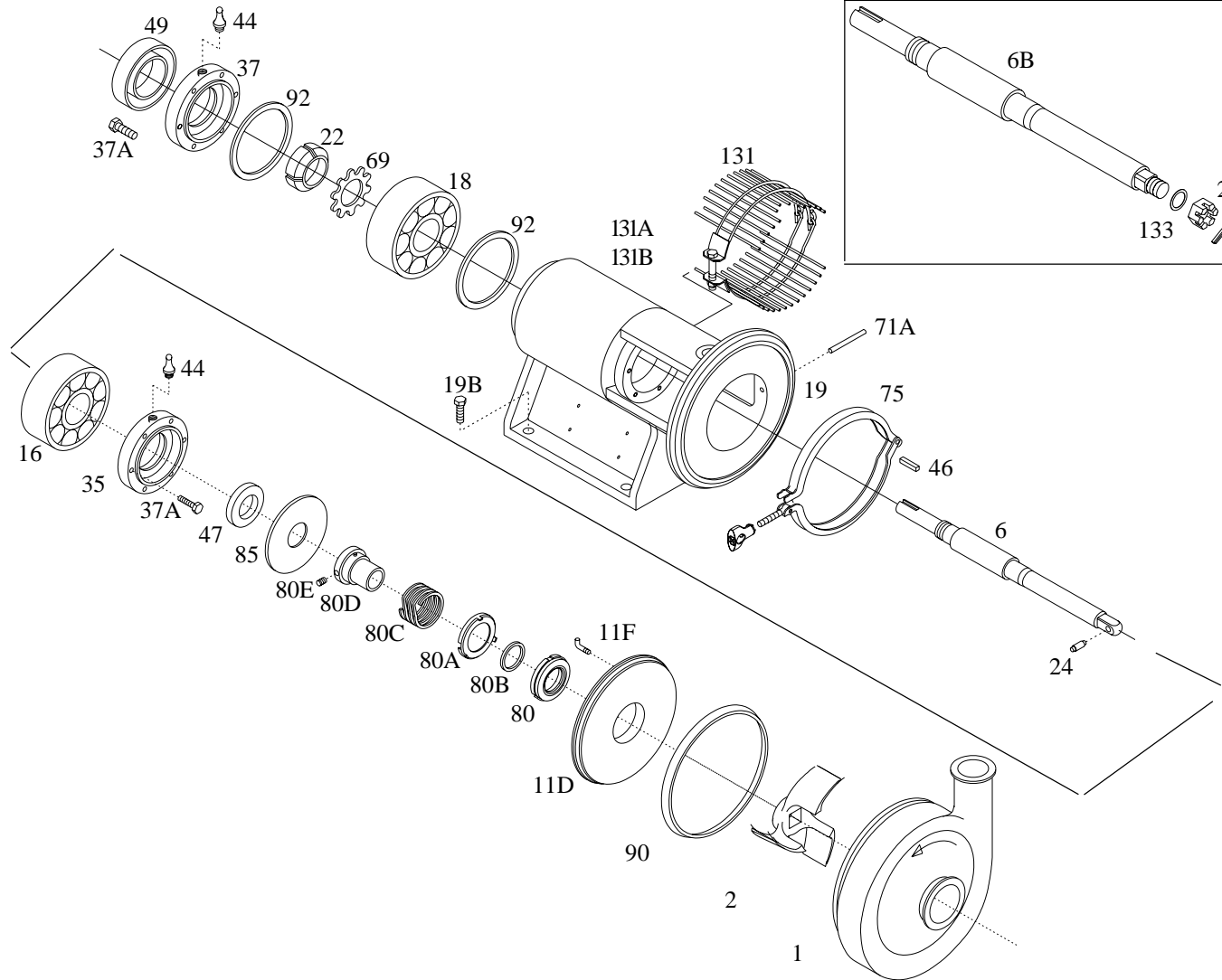
The exploded views and accompanying parts list facilitate ordering repair parts from the factory. All parts of the pump are exploded and keyed to the parts list.

KEY	DESCRIPTION	QTY	KEY	DESCRIPTION	QTY
1	Casing	1	47	Bearing Seal (Inboard)	1
2	Impeller	1	49	Bearing Seal (Outboard)	1
6	Shaft	1	69	Lockwasher	1
6B	Threaded Shaft	1	71A	Adapter Pin (External Seal)	1
11A	Backplate (Packing Seal)	1	75	Clamp Assembly - Complete	1
11B	Backplate (Packing-Water Seal)	1	77	Elbow	2
11D	Backplate (External Seal)	1	80	Carbon Seal-(E Seal Takes 2)	1
11F	Backplate Pin (D Seal)	2	80A	Cup	1
11G	Backplate (E Seal)	1	80B	O-ring, Seal-(E Seal Takes 2)	1
11H	Backplate (DG Seat)	1	80C	Spring	1
13	Packing	1	80D	Drive Collar	1
16	Bearing (Inboard)	1	80E	Set Screw	2
17	Split Gland	1	80F	Cup	2
17A	Nut (Split Gland)	2	80G	Spring	1
17B	Stud (Split Gland)	2	80H	Drive Collar	1
17F	Follower (E Seal)	1	80I	Set Screw	1
17G	Machine Screw	1	80N	Seal Seat	1
17H	O-ring	1	80P	PTFE Gasket (Outboard)	1 or 2**
17I	Lockwasher	4	80R	PTFE Gasket (Inboard)	1**
17J	SS Gland Ring	1	83	Stuffing Box	1
17K	Bolt/Screw	4	83A	Machine Screw	4
17M	Lockwasher	4	83B	O-ring	1
18	Bearing (Outboard)	1	85	Slinger	1
19	Frame	1	90	Casing Gasket	1
22	Locknut (Shaft)	1	92	Shims (Bearing)	+
24	Retainer (Impeller)	1	125	Oiler	1
24A	Castellated Nut (Impeller)	1	125A	Pressure Relief Valve	1
24B	Cotter Pin (Impeller)	1	125B	Pipe Plug	1
29	Seal Cage	1	125C	Reducer	1
35	Bearing Cover (Inboard)	1	125D	Nipple	1
37	Bearing Cover (Outboard)	1	127	Water Inlet Assembly	1
37A	Bearing Cover Screw	8	127A	Locknut	1
44	Grease Fitting	2	131	Seal Guard	1
46	Coupling key	1	131A	Seal Guard Cap Screw	1
			131B	Seal Guard Nut	1
			133	Washer (Impeller)	1

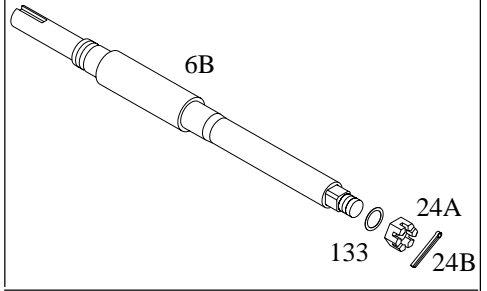
+ Number of bearing shims required can vary.

\*\* Model 114/216/218/328 req. 1-#80P outboard gasket (1/16" thick), and 1-#80R inboard gasket (1/8" thick). Gaskets are not interchangeable. Model 4410 req. 2-80P gaskets (same size out/inboard).

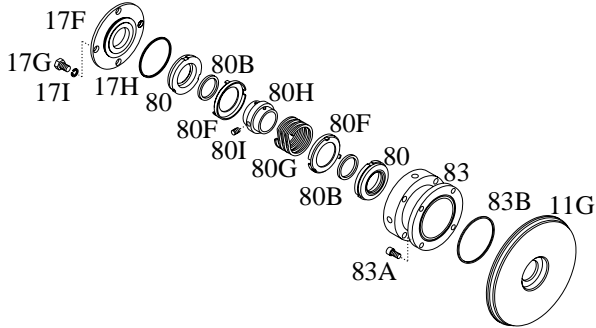
**SP Series Pump with Floating Retainer**



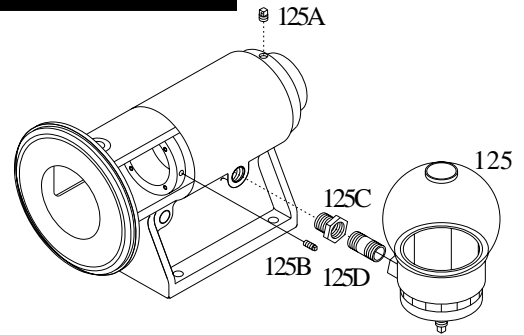
**Threaded Shaft and Castellated Nut Retainer System for Use with Type D, F or E Seals**



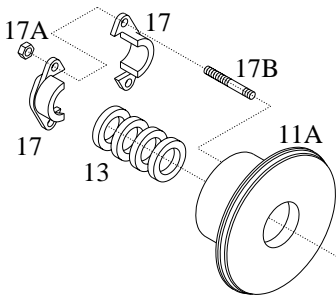
**Type E Water Cooled Balanced Double Seal**



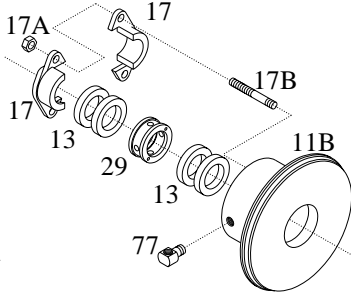
**Optional Power Frame Oiler**



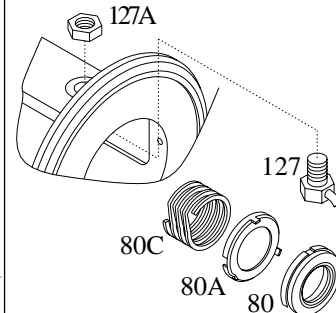
**A Packing Gland Seal**



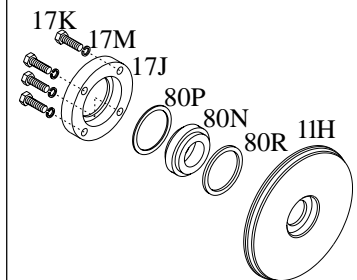
**B Packing Gland Seal with Water**



**F External Seal with Water Flush**



**Additional Type DG Clamped-in Seal Seat Components (For use with type D seal)**



# Parts List

Key No.	Description	SP114	SP216	SP218	SP328	SP4410
		Part Number	Part Number	Part Number	Part Number	Part Number
1	Casing (Tri-Clamp) Sanitary	S114M-01C-316	S216M-01C-316	S218M-01D-316	S328M-01C-316	SP4410M-01A-316
1	Casing (Bevel Seat) Sanitary	S114T-01C-316	S216T-01C-316	S218T-01D-316	S328T-01C-316	SP4410T-01A-316
1	Casing (N.P.T.) Glass Beaded	S114S-01C-316	S216S-01C-316	S218S-01D-316	S328S-01C-316	SP4410S-01A-316
1	Casing (Tri-Clamp) Glass Beaded	S114MI-01C-316	S216MI-01C-316	S218MI-01D-316	S328MI-01C-316	SP4410MI-01A-316
1	Casing (Bevel Seat) Glass Beaded	S114TI-01C-316	S216TI-01C-316	S218TI-01D-316	S328TI-01C-316	SP4410TI-01A-316
1	Casing (Flanged) Glass Beaded	S114F-01D-316	S216F-01D-316	S218F-01E-316	S328F-01D-316	SP4410F-01B-316
2	Impeller (see note below)	S114-02C-316	S216-02C-316	S218-02C-316	S328-02C-316	SP5410-02A-316
6	Shaft	SP114D-06E-316	SP216D-06E-316	SP328D-06E-316	SP328D-06E-316	SP5410D-06D-316
6B	Shaft (Threaded)	SP114F-06E-316	SP216F-06E-316	SP328F-06E-316	SP328F-06E-316	SP5410F-06D-316
11A	Backplate (Packing Seal)	SP114A-11A-316	SP216A-11A-316	SP328A-11A-316	SP328A-11A-316	SP5410A-11A-316
11B	Backplate (Packing Water Seal)	Not Available	SP216B-11A-316	SP328B-11A-316	SP328B-11A-316	SP5410B-11A-316
11D	Backplate (External Seal)	SP114D-11-316	SP216D-11-316	SP328D-11-316	SP328D-11-316	SP5410D-11A-316
11F	Backplate Pin (External Seal)	216D-11-1-S	216D-11-1-S	216D-11-1-S	216D-11-1-S	SC1108D-M
11G	Backplate San. (E Balanced)	114E-11B-316	216E-11B-316L	328E-11B-316	328E-11B-316	SP5410E-11C-316
11H	Backplate San. (DG Seat)	SP114G-11-316	SP216G-11-316	SP328G-11-316	SP328G-11-316	SP4410G-11-316
13	Packing	P214-13-12	P326-13-12	P438-13-12	P438-13-12	P438-13-12
16	Bearing (Inboard)	P214-16	P326-16	P438-16	P438-16	P438-16
17	Split Gland (2 required)	P214A-17C-1-316	P326A-17C-1-316	P438A-17C-1-316	P438A-17C-1-316	P438A-17C-1-316
17A	Nut (Split Gland)	NU1100H-SS	NU1300H-SS	NU1300H-SS	NU1300H-SS	NU1300H-SS
17B	Stud (Split Gland)	SP114-82-S	SP216-82-S	P326A-17D-S	P326A-17D-S	P326A-17D-S
17F	Follower (E Balanced)	114E-17A-316	216E-17A-316	328E-17-316	328E-17-316	328E-17-316
17G	Machine Screw	SC1106E-SS	SC1308H-SS	SC1308H-SS	SC1308H-SS	SC1308H-SS
17H	O-Ring	17-106-U-25*	17-275-U	17-274-U	17-274-U	17-274-U
17I	Lockwasher (DG Seat)	Not Available	LWA1300-SS	LWA1300-SS	LWA1300-SS	LWA1300-SS
17J	Gland Ring (DG Seat)	SP114G-17-316	SP216G-17-316	SP328G-17-316	SP328G-17-316	SP328G-17-316
17K	Bolt / Screw (DG Seat)	SC1110H-SS	SC1310H-SS	SC1311H-SS	SC1311H-SS	SC1310H-SS
17M	Lockwasher	LWA-1100-SS	LWA-1300-SS	LWA-1300-SS	LWA-1300-SS	LWA-1300-SS
18	Bearing (Outboard)	P214-18	P326-18	P438-18	P438-18	P438-18
19	Frame	SP114D-19C-C	SP216D-19B-C	SP328D-19B-C	SP328D-19B-C	SP5410D-19B-C
22	Locknut (Shaft)	P214-22	P326-22	P438-22	P438-22	P438-22
24	Impeller Retainer	114D-24B-316	216D-24B-316	328D-24B-316	328D-24B-316	328D-24C-U
24A	Castellated Nut (Impeller)	SP114F-24-316	SP216F-24-316	SP328F-24-316	SP328F-24-316	SP328F-24-316
24B	Cotter Pin (Impeller)	16-113-1/8-x1-316	16-113-1/8-x1½-316	16-113-1/8-x2-316	16-113-1/8-x2-316	16-113-1/8-x12-316
29	Seal Cage	P214B-29-G	P326B-29-G	P438B-29-G	P438B-29-G	P438B-29-G
35	Bearing Cover (Inboard)	P214-35A-C	P326-35A-C	P438-35A-C	P438-35A-C	P438-35A-C
37	Bearing Cover (Outboard)	P214-37A-C	P326-37A-C	P438-37A-C	P438-37A-C	P438-37A-C
37A	Bearing Cover Screw	SC907H-SS	SC910H-S	SC1111H-SS	SC1111H-SS	SC1111H-SS
44	Grease Fitting	P214-133	MS-100-44	MS-100-44	MS-100-44	MS-100-44

Contact Tri-Clover for information on old style Type E Sanitary Water Cooler Rotary Seal replacement components. Key # 2 Impellers: Contact Tri-Clover for availability on other sized impellers not shown.

# Parts List

Key No.	Description	SP114	SP216	SP218	SP328	SP4410
		Part Number	Part Number	Part Number	Part Number	Part Number
46	Coupling Key	R10-1½-46	R25-1½-46	SP328-46	SP328-46	SP328-46
47	Bearing Seal (Inboard)	P214-47	P326-47	P438-47	P438-47	P438-47
49	Bearing Seal (Outboard)	SP114-49	SP216-49	SP328-49	SP328-49	SP328-49
69	Lock Washer	P214-69	P326-69	P438-69	P438-69	P438-69
71A	Adapter Pin (External Seal)	216D-71A-1-S	SP216D-19B-1-S	SP216D-19B-1-S	SP216D-19B-1-S	SP5410-11A-1-S
75	Clamp Assembly (Complete)	S114-75AR-S	S216-75AR-S	S328-75AR-S	S328-75AR-S	SP4410-75D-S
75J	Eye Bolt	S114-75A-04-S	S114-75A-04-S	S114-75A-04-S	S114-75A-04-S	SC1324-SS
75K	Wingnut	13MHHS-1½-03-S	13MHHS-1½-03-S	13MHHS-1½-03-S	13MHHS-1½-03-S	13MHHS-1½-03-S
77	Elbow	MS-107-77	MS-107-77	MS-107-77	MS-107-77	MS-107-77
80	Carbon Seal	114E-80-1A	216E-80-1A	328E-80-1A	328E-80-1A	328E-80-1A
80A	Cup	114D-80-3P	216D-80-3P	328D-80-3P	328D-80-3P	328D-80-3P
80B	O-Ring (Seal)	60CX-3-34A-U	01-1165-19-U	S328-80-2-U	S328-80-2-U	S328-80-2-U
80C	Spring	114D-80-4	216D-80-4	328-80-4	328D-80-4	328D-80-4
80D	Drive Collar	SP114D-23P-316L	SP216D-23P-S	SP328D-23P-S	SP328D-23P-S	SP328D-23P-S
80E	Set Screw (Collar)	SC905A-SS	SC1105A-SS	SC1105A-SS	SC1105A-SS	SC1105A-SS
80F	Cup (E Balanced)	114E-80-3P	216E-80-3P	328E-80-3P	328E-80-3P	328E-80-3P
80G	Spring (E Balanced)	114E-80-4A	216E-80-4A	328E-80-4A	328E-80-4A	328E-80-4A
80H	Drive Collar (E Balanced)	114E-23-316	216E-23-316	328E-23-316	328E-23-316	328E-23-316
80I	Set Screw (E Balanced)	SC903A-SS	SC1103A-SS	SC1103A-SS	SC1103A-SS	SC1103A-SS
80N	Type DG Seal Seat (TC)	SP114G-80-1-1-TC	SP216G-80-1-1-TC	SP328G-80-1-1-TC	SP328G-80-1-1-TC	SP328G-80-1-1-TC
Specify	Type DG Seal Seat (Ceramic)	SP114G-80-1-1-CER	SP216G-80-1-1-CER	SP328G-80-1-1-CER	SP328G-80-1-1-CER	SP328G-80-1-1-CER
Type of	Type DG Seal Seat (SC)	SP114G-80-1-1-SC	SP216G-80-1-1-SC	SP328G-80-1-1-SC	SP328-80-1-1-SC	SP328G-80-1-1-SC
Material	Gasket Outboard (PTFE)	SP114G-80-1-2-G	SP216G-80-1-2-G	SP328G-80-1-2-G	SP328G-80-1-2-G	SP328G-80-1-2-G
80P	Gasket Inboard (PTFE)	SP114G-80-1-2A-G	SP216G-80-1-2A-G	SP328G-80-1-2A-G	SP328G-80-1-2A-G	SP328G-80-1-2-G
80R	Stuffing Box (E Balanced)	114E-83B-316	216E-83B-316	328E-83B-316	328E-83B-316	328E-83B-316
83	Machine Screw (E Balanced)	SC904E-SS	SC1106E-SS	SC1308E-SS	SC1308E-SS	SC1308E-SS
83A	O-Ring (E Balanced)	17-275-U	17-122-U	17-153-U	17-153-U	17-153-U
83B	Slinger	10-1185-12	10-1185-18-U	10-1185-24-U	10-1185-24-U	10-1185-24-U
85	Casing Gasket	S114-90A-U	S216-90A-U	S328-90A-U	S328-90A-U	SP5410-90A-U
90	Shims-Bearing (Price Per Set)	P214-A92	P326-A92	P438-A92	P438-A92	P438-A92
92	Oiler	P214-125A-01	P214-125A-01	P214-125A-01	P214-125A-01	P214-125A-01
125	Pressure Relief Valve	P214-185	P214-185	P214-185	P214-185	P214-185
125A	Pipe Plug	MS-105-58	MS-105-58	MS-105-58	MS-105-58	MS-105-58
125B	Reducer	P214-211	P214-211	P214-211	P214-211	P214-211
125C	Nipple	P214-189	P214-189	P214-189	P214-189	P214-189
125D	Water Inlet Assembly	SP114-127-01	SP216-127-01	SP328-127-01	SP328-127-01	SP328-127-01
127	Locknut	SP114-127-02	SP114-127-02	SP114-127-02	SP114-127-02	SP114-127-02
127A	Seal Guard Assembly	SP114-131-S	SP216-131-S	SP328-131-S	SP328-131-S	SP4410-131-S
131	Washer (Impeller)	SP114-133-316	SP216-133-316	SP328-133-316	SP328-133-316	SP328-133-316
133						

Contact Tri-Clover for information on old style Type E Sanitary Water Cooler Rotary Seal replacement components.