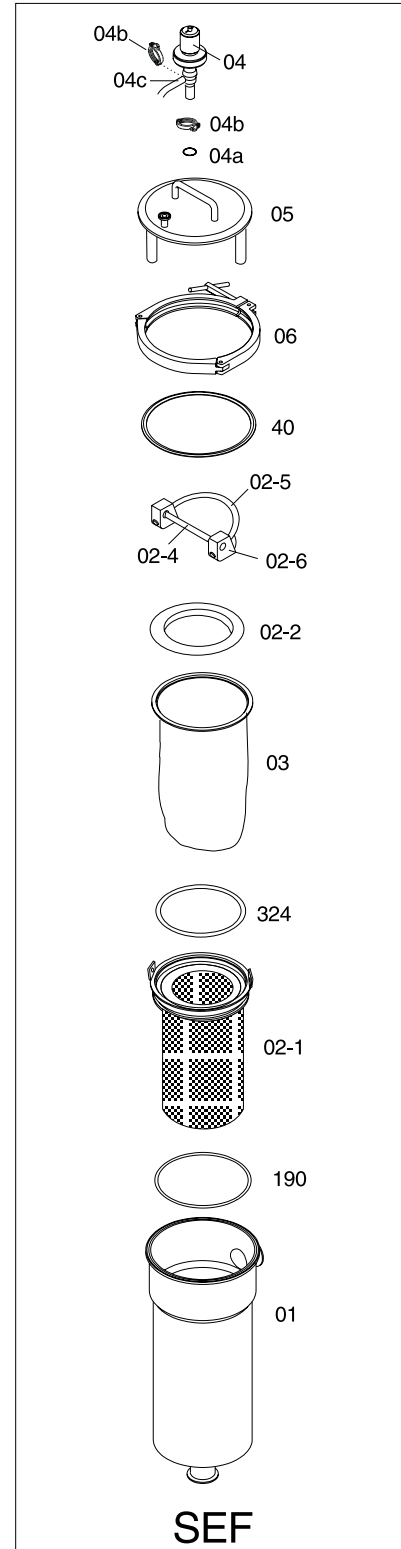


# PARTS LIST

## MAINSTREAM - REPLACEMENT PARTS

### Mainstream (SEF)

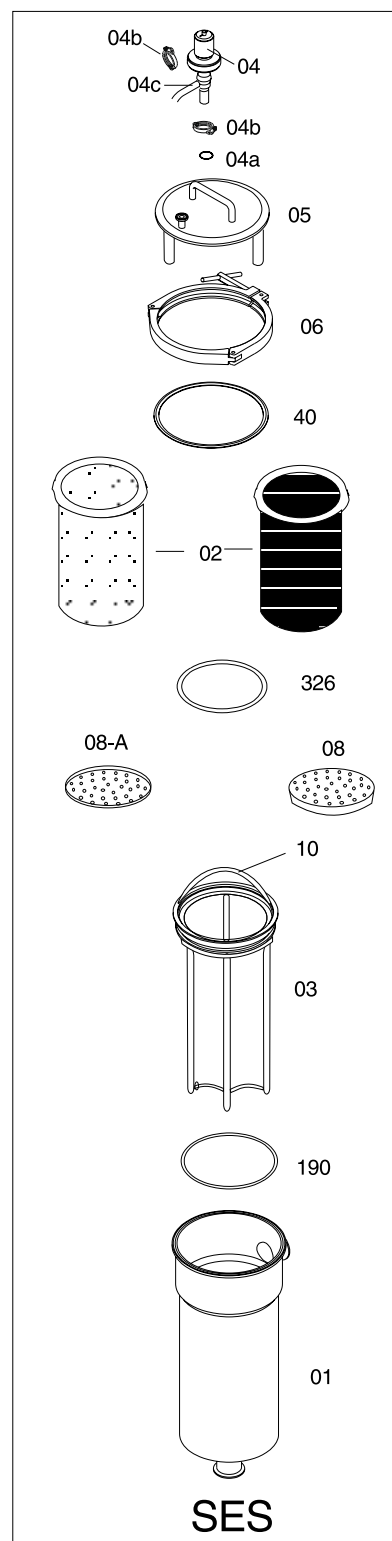
Key No.	Description	Part Number
01	Filter Body, long (2", 50.8mm) unpolished	SES2-2-01-316-I
01	Filter Body, short (2", 50.8mm) unpolished	SES1-2-01-316-I
01	Filter Body, long (2", 50.8mm) polished	SES2-2-01-316-P
01	Filter Body, short (2", 50.8mm) polished	SES1-2-01-316-P
01	Filter Body, long (3", 76.2mm) unpolished	SES2-3-01-316-I
01	Filter Body, short (3", 76.2mm) unpolished	SES1-3-01-316-I
01	Filter Body, long (3", 76.2mm) polished	SES2-3-01-316-P
01	Filter Body, short (3", 76.2mm) polished	SES1-3-01-316-P
01	Filter Body, long (4", 101.6mm) unpolished	SES2-4-01-316-I
01	Filter Body, short (4", 101.6mm) unpolished	SES1-4-01-316-I
01	Filter Body, long (4", 101.6mm) polished	SES2-4-01-316-P
01	Filter Body, short (4", 101.6mm) polished	SES1-4-01-316-P
02-1	Screen Ring Assembly (short body)	SEF1-2-02-1-316L
02-1	Screen Ring Assembly (long body)	SEF2-2-02-1-316L
02-2	Retainer Ring	SEF-2-04-316L
02-4	Cam Pin	SEF-2-02-4-316L
02-5	Cam Handle	SEF-2-02-5-316L
02-6	Cam Lock (UHMW) (2 required)	SEF-2-02-6
02-6	Cam Lock (Alum. Bronze) (2 required)	SEF-2-02-6-B
03	Filter Media	See Filter Media Replacements.
04	Relief Valve (UHMW handle)	660-10M-40-HN-½x½-C-316L
04	Relief Valve (Alum. Bronze handle)	660-10M-40-BR-½x½-C-316L
04a	Relief Valve Gasket (Buna)	42-MP-U-½
04a	Relief Valve Gasket (SFY)	42-MP-SFY-½
04a	Relief Valve Gasket (EPDM)	42-MP-E-½
04b	Relief Valve Clamp	13MHHS-¾-S
04c	Elbow Fitting	TL2CM-½-316L-PD
05	End Cap Assembly (2" or 3" housing)	SEB/FR-2-05-4.078-316L-FINISH
05a	End Cap Assembly (4" housing)	SEB/FR-2-05-5.062-316L-FINISH
06	Filter Clamp	SES-2-06A-S
40	Cover Gasket (Buna)	40MVF-U-8
40	Cover Gasket (SFY)	40MVF-SFY-8
40	Cover Gasket (EPDM)	40MVF-E-8
190	O-Ring, Buna (O.D.)	17-190-U
190	O-Ring, SFY (O.D.)	17-190-SFY
190	O-Ring, EPDM (O.D.)	17-190-E
324	O-Ring, Buna (I.D.)	17-324-U
324	O-Ring, SFY (I.D.)	17-324-SFY
324	O-Ring, EPDM (I.D.)	17-324-E



# PARTS LIST

## Mainstream (SES)

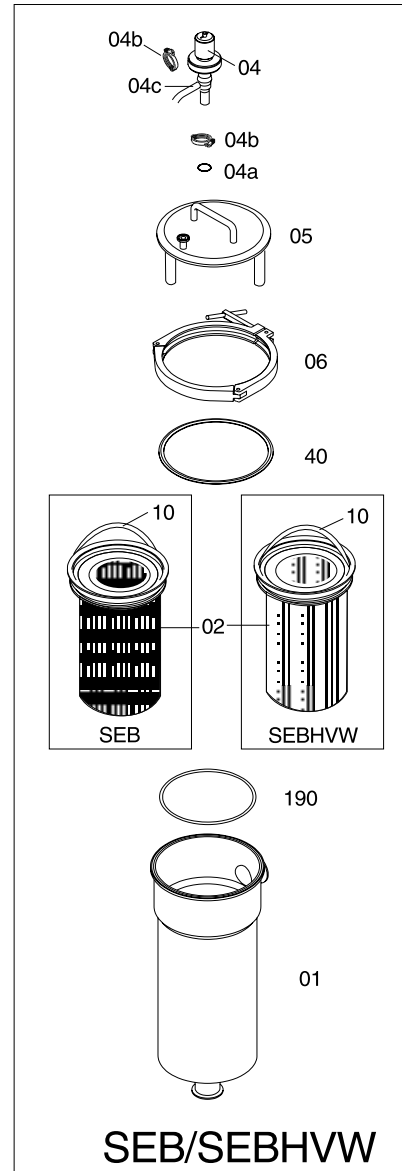
Key No.	Description	Part Number
01	Filter Body, long (2", 50.8mm) unpolished	SES2-2-01-316-I
01	Filter Body, short (2", 50.8mm) unpolished	SES1-2-01-316-I
01	Filter Body, long (2", 50.8mm) polished	SES2-2-01-316-P
01	Filter Body, short (2", 50.8mm) unpolished	SES1-2-01-316-P
01	Filter Body, long (3", 76.2mm) unpolished	SES2-3-01-316-I
01	Filter Body, short (3", 76.2mm) unpolished	SES1-3-01-316-I
01	Filter Body, long (3", 76.2mm) polished	SES2-3-01-316-P
01	Filter Body, short (3", 76.2mm) polished	SES1-3-01-316-P
01	Filter Body, long (4", 101.6mm) unpolished	SES2-4-01-316-I
01	Filter Body, short (4", 101.6mm) unpolished	SES1-4-01-316-I
01	Filter Body, long (4", 101.6mm) polished	SES2-4-01-316-P
01	Filter Body, short (4", 101.6mm) polished	SES1-4-01-316-P
02	Strainer Ring Assembly	Refer to Mainstream Media Options
3	Strainer Ring Support Assembly (Short body)	SES1-2-03A-316
03	Strainer Ring Support Assembly (Long body)	SES2-2-03A-316
04	Relief Valve (UHMW handle)	660-10M-40-HN-1/2x1/2-C-316L
04	Relief Valve (Alum. Bronze handle)	660-10M-40-BR-1/2x1/2-C-316L
04a	Relief Valve Gasket (Buna)	42-MP-U-1/2
04a	Relief Valve Gasket (SFY)	42-MP-SFY-1/2
04a	Relief Valve Gasket (EPDM)	42-MP-E-1/2
04b	Relief Valve Clamp	13MHHS-3/4-S
05	End Cap Assembly (2" or 3" housing)	SEB/FR-2-05-4.078-316L-FINISH
05a	End Cap Assembly (4" housing)	SEB/FR-2-05-5.062-316L-FINISH
06	Strainer Clamp	SES-2-06A-S
08	Strainer Support Plate for Wire Mesh	SES-2-08-316
08A	Strainer Support Plate for Perforated Metal	SES-2-08A-316
10	Removable Handle	SES-2-10B-316
40	Cover Gasket (Buna)	40MVF-U-8
40	Cover Gasket (SFY)	40MVF-SFY-8
40	Cover Gasket (EPDM)	40MVF-E-8
190	O-Ring, Buna (O.D.)	17-190-U
190	O-Ring, SFY (O.D.)	17-190-SFY
190	O-Ring, EPDM (O.D.)	17-190-E
326	O-Ring, Buna (I.D.)	17-326-U
326	O-Ring, SFY (I.D.)	17-326-SFY
326	O-Ring, EPDM (I.D.)	17-326-E



# PARTS LIST

## Mainstream (SEB/SEBHVW)

Key No.	Description	Part Number
01	Filter Body, long (2", 50.8mm) unpolished	SES2-2-01-316-I
01	Filter Body, short (2", 50.8mm) unpolished	SES1-2-01-316-I
01	Filter Body, long (2", 50.8mm) polished	SES2-2-01-316-P
01	Filter Body, short (2", 50.8mm) unpolished	SES1-2-01-316-P
01	Filter Body, long (3", 76.2mm) unpolished	SES2-3-01-316-I
01	Filter Body, short (3", 76.2mm) unpolished	SES1-3-01-316-I
01	Filter Body, long (3", 76.2mm) polished	SES2-3-01-316-P
01	Filter Body, short (3", 76.2mm) polished	SES1-3-01-316-P
01	Filter Body, long (4", 101.6mm) unpolished	SES2-4-01-316-I
01	Filter Body, short (4", 101.6mm) unpolished	SES1-4-01-316-I
01	Filter Body, long (4", 101.6mm) polished	SES2-4-01-316-P
01	Filter Body, short (4", 101.6mm) polished	SES1-4-01-316-P
02	Strainer Ring Assembly	Refer to Mainstream Media Options
04	Relief Valve (UHMW handle)	660-10M-40HN-½x½-C-316L
04	Relief Valve (Alum. Bronze handle)	660-10M-40BR-½x½-C-316L
04a	Relief Valve Gasket (Buna)	42MP-U-½
04a	Relief Valve Gasket (SFY)	42MP-SFY-½
04a	Relief Valve Gasket (EPDM)	42MP-E-½
04b	Relief Valve Clamp	13MHHS-¾-S
04c	Elbow Fitting	TL2CM-½-316L-PD
05	End Cap Assembly (2" o 3" housing)	SEB/FR-2-05-4.078-316L-FINISH
05a	End Cap Assembly (4" housing)	SEB/FR-2-05-5.062-316L-FINISH
06	Strainer Clamp	SES-2-06A-S
10	Handle	SES-2-10A-316
40	Cover Gasket (Buna)	40MVF-U-8
40	Cover Gasket (SFY)	40MVF-SFY-8
40	Cover Gasket (EPDM)	40MVF-E-8
190	O-Ring, Buna (O.D.)	17-324-U
190	O-Ring, SFY (O.D.)	17-324-SFY
190	O-Ring, EPDM (O.D.)	17-324-E



# PARTS LIST

## STREAMLINE - REPLACEMENT PARTS

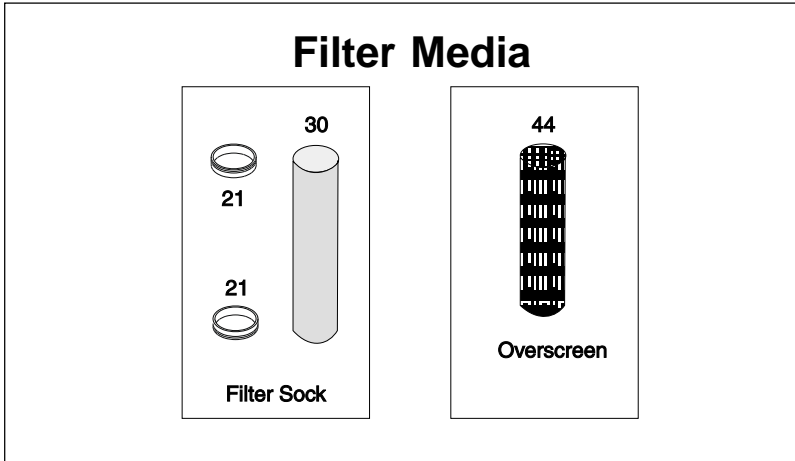
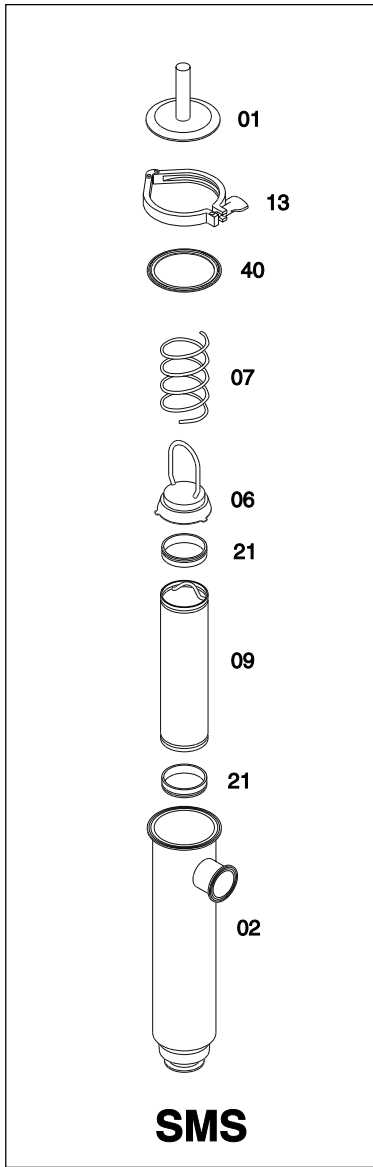
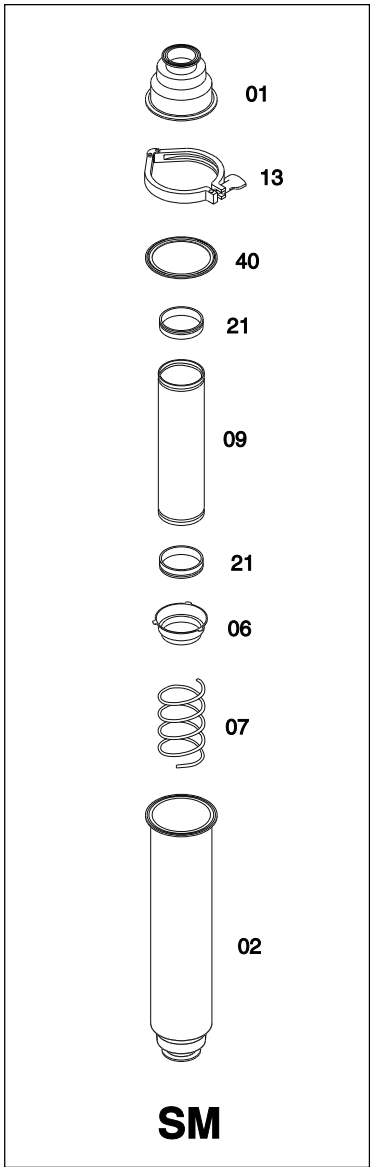
### ORDERING INFORMATION

The exploded view and parts key facilitate ordering repair parts from Tri-Clover. All parts for Mainstream Filter/Strainers are keyed to the parts list.

Streamline (FM or SM)		1" (25.4mm)	1½" (38.1mm)	2" (50.8mm)	2½" (63.5mm)	3" (76.2mm)
Key No.	Description	Part Number	Part Number	Part Number	Part Number	Part Number
01	Outlet Assembly	FM1-1-01-316L	FM1-1½-01-316L	FM1-2-01B-316L	FM1-2½-01-316L	FM1-3-01-316L
02	Body (short body)	FM1-1-02A-316L	FM1-1½-02A-316L	FM1-2-02A-316L	FM1-2½-02A-316L	FM1-3-02A-316L
02	Body (long body)	--	FM2-1½-02A-316L	FM2-2-02A-316L	FM2-2½-02A-316L	FM2-3-02A-316L
06	Distributor Cap	F1-1-06-316L	F1-1-06-316L	F1-1-06-316L	F1-2½-06-316L	F1-2½-06-316L
07	Spring	F1-1-07A-316L	F1-1-07A-316L	F1-1-07A-316L	F1-2½-07A-316L	F1-2½-07A-316L
09	Back Up Tube (short body)	F1-1-09-X*	F1-1-09-X*	F1-1-09-X*	F1-2½-09-X*	F1-2½-09-X*
09	Back Up Tube (long body)	--	F2-1-09-X*	F2-1-09-X*	F2-2½-09-X*	F2-2½-09-X*
13	Clamp	13MHHM-4-S	13MHHM-4-S	13MHHM-4-S	13MHVM-4-S	13MHVM-4-S
21	Retainer Ring (FM only)	F1-1-21-Mat'l	F1-1-21-Mat'l	F1-1-21-Mat'l	F1-2½-21-Mat'l	F1-2½-21-Mat'l
40	Gasket (Buna)	40MP-U-4	40MP-U-4	40MP-U-4	40MP-U-4	40MP-U-4
40	Gasket (SFY)	40MP-SFY-4	40MP-SFY-4	40MP-SFY-4	40MP-SFY-4	40MP-SFY-4
40	Gasket (EPDM)	40MP-E-4	40MP-E-4	40MP-E-4	40MP-E-4	40MP-E-4
Streamline (FMS or SMS)		1" (25.4mm)	1½" (38.1mm)	2" (50.8mm)	2½" (63.5mm)	3" (76.2mm)
Key No.	Description	Part Number	Part Number	Part Number	Part Number	Part Number
01	Cap	FMS1½-03-316L	FMS1½-03-316L	FMS1½-03-316L	FMS2½-03-316L	FMS2½-03-316L
02	Body (short body)	FMS1-1-02-316L	FMS1-1½-02-316L	FMS1-2-02-316L	FMS1-2½-02-316L	FM1-3-02-316L
02	Body (long body)	--	FMS2-1½-02-316L	FMS2-2-02-316L	FMS2-2½-02-316L	FMS2-3-02-316L
06	Distributor Cap	FS-1½-06-316L	FS-1½-06-316L	FS-1½-06-316L	FS1-2½-06-316L	FS1-2½-06-316L
07	Spring	FS-1½-07-316L	FS-1½-07-316L	FS-1½-07-316L	FS1-2½-07-316L	FS1-2½-07-316L
09	Back Up Tube (short body)	FS1-1½-09-X*	FS1-1½-09-X*	FS1-1½-09-X*	FS1-2½-09-X*	FS1-2½-09-X*
09	Back Up Tube (long body)	--	FS2-1½-09-X*	FS2-1½-09-X*	FS2-2½-09-X*	FS2-2½-09-X*
13	Clamp	13MHHM-4-S	13MHHM-4-S	13MHHM-4-S	13MHVM-4-S	13MHVM-4-S
21	Retainer Ring (FMS only)	F1-1-21-Mat'l	F1-1-21-Mat'l	F1-1-21-Mat'l	F1-2½-21-Mat'l	F1-2½-21-Mat'l
40	Gasket (Buna)	40MP-U-4	40MP-U-4	40MP-U-4	40MP-U-4	40MP-U-4
40	Gasket (SFY)	40MP-SFY-4	40MP-SFY-4	40MP-SFY-4	40MP-SFY-4	40MP-SFY-4
40	Gasket (EPDM)	40MP-E-4	40MP-E-4	40MP-E-4	40MP-E-4	40MP-E-4

\* Specify code G, D, E, or V. Note: All strainers using overscreens and filters utilize the type G Back Up tube. Not all codes are available for all sizes.

# PARTS LIST



# PARTS LIST

## MAINSTREAM MEDIA OPTIONS

### Mainstream Strainer Media (SES)

Code	Description	Part Number
A	Short Body, Perforateed Metal, 0.033 dia/24 ga., Micron Rating 838, Open Area 20.0 %	SES1-2-02A-A-316L
A	Long Body, Perforateed Metal, 0.033 dia/24 ga., Micron Rating 838, Open Area 20.0 %	SES2-2-02A-A-316L
C	Short Body, Perforateed Metal, 0.062 dia/22 ga., Micron Rating 1590, Open Area 30.0 %	SES1-2-02A-C-316L
C	Long Body, Perforateed Metal, 0.062 dia/22 ga., Micron Rating 1590, Open Area 30.0 %	SES2-2-02A-C-316L
B	Short Body, Perforateed Metal, 0.05 dia/22 ga., Micron Rating 1270, Open Area 22.5 %	SES1-2-02A-B-316L
B	Long Body, Perforateed Metal, 0.05 dia/22 ga., Micron Rating 1270, Open Area 22.5 %	SES2-2-02A-B-316L
U	Short Body, Perforateed Metal, 0.04 dia/22 ga., Micron Rating 1015, Open Area 22.0 %	SES1-2-02A-U-316L
U	Long Body, Perforateed Metal, 0.04 dia/22 ga., Micron Rating 1015, Open Area 22.0 %	SES2-2-02A-U-316L
P	Short Body, Wire Mesh, Sq. Mesh Size 20, Space btw Wire 0.034", Micron Rating 864, Open Area 46.2	SES1-2-02-P-316L
P	Long Body, Wire Mesh, Sq. Mesh Size 20, Space btw Wire 0.034", Micron Rating 864, Open Area 46.2	SES2-2-02-P-316L
J	Short Body, Wire Mesh, Sq. Mesh Size 40, Space btw Wire 0.015", Micron Rating 381, Open Area 36.0	SES1-2-02-J-316L
J	Long Body, Wire Mesh, Sq. Mesh Size 40, Space btw Wire 0.015", Micron Rating 381, Open Area 36.0	SES2-2-02-J-316L
F	Short Body, Wire Mesh, Sq. Mesh Size 60, Space btw Wire 0.009", Micron Rating 229, Open Area 30.3	SES1-2-02-F-316L
F	Long Body, Wire Mesh, Sq. Mesh Size 60, Space btw Wire 0.009", Micron Rating 229, Open Area 30.3	SES2-2-02-F-316L
L	Short Body, Wire Mesh, Sq. Mesh Size 80, Space btw Wire 0.007", Micron Rating 178, Open Area 31.4	SES1-2-02-L-316L
L	Long Body, Wire Mesh, Sq. Mesh Size 80, Space btw Wire 0.007", Micron Rating 178, Open Area 31.4	SES2-2-02-L-316L
K	Short Body, Wire Mesh, Sq. Mesh Size 100, Space btw Wire 0.006", Micron Rating 140, Open Area 30.3	SES1-2-02-K-316L
K	Long Body, Wire Mesh, Sq. Mesh Size 100, Space btw Wire 0.006", Micron Rating 140, Open Area 30.3	SES2-2-02-K-316L
M	Short Body, Wire Mesh, Sq. Mesh Size 150, Space btw Wire 0.004", Micron Rating 104, Open Area 37.4	SES1-2-02-M-316L
M	Long Body, Wire Mesh, Sq. Mesh Size 150, Space btw Wire 0.004", Micron Rating 104, Open Area 37.4	SES2-2-02-M-316L
S	Short Body, Wire Mesh, Sq. Mesh Size 200, Space btw Wire 0.004", Micron Rating 73, Open Area 33.6	SES1-2-02-S-316L
S	Long Body, Wire Mesh, Sq. Mesh Size 200, Space btw Wire 0.003", Micron Rating 73, Open Area 33.6	SES2-2-02-S-316L

Other sizes available upon request.

### Mainstream (SEF) Filter - Code A

Description	Short Body Part Number	Long Body Part Number
Polypropylene, Micron Size 1.0	SEF-03-1.0-PPR-01-A	SEF-03-1.0-PPR-02-A
Polypropylene, Micron Size 2.5	SEF-03-2.5-PPR-01-A	SEF-03-2.5-PPR-02-A
Polypropylene, Micron Size 5.0	SEF-03-5.0-PPR-01-A	SEF-03-5.0-PPR-02-A
Polypropylene, Micron Size 10.0	SEF-03-10.0-PPR-01-A	SEF-03-10.0-PPR-02-A
Polypropylene, Micron Size 25.0	SEF-03-25.0-PPR-01-A	SEF-03-25.0-PPR-02-A

# PARTS LIST

## MAINSTREAM MEDIA OPTIONS

### Mainstream (SEF) Filter - Code B

Description	Short Body Part Number	Long Body Part Number
Polypropylene, Micron Size 177.0	SEF-03-177.0-PPR-01-B	SEF-03-177.0-PPR-02-B
Polyester, Micron Size 180.0	SEF-03-180.0-PES-01-B	SEF-03-180.0-PES-02-B
Polyester, Micron Size 200.0	SEF-03-200.0-PES-01-B	SEF-03-200.0-PES-02-B
Nylon, Micron Size 210.0	SEF-03-210.0-NYL-01-B	SEF-03-210.0-NYL-02-B
Polypropylene, Micron Size 210.0	SEF-03-210.0-PPR-01-B	SEF-03-210.0-PPR-02-B
Nylon, Micron Size 250.0	SEF-03-250.0-NYL-01-B	SEF-03-250.0-NYL-02-B
Polyester, Micron Size 250.0	SEF-03-250.0-PES-01-B	SEF-03-250.0-PES-02-B
Polypropylene, Micron Size 250.0	SEF-03-250.0-PPR-01-B	SEF-03-250.0-PPR-02-B
Polypropylene, Micron Size 297.0	SEF-03-297.0-PPR-01-B	SEF-03-297.0-PPR-02-B
Nylon, Micron Size 300.0	SEF-03-300.0-NYL-01-B	SEF-03-300.0-NYL-02-B
Polyester, Micron Size 300.0	SEF-03-300.0-PES-01-B	SEF-03-300.0-PES-02-B
Nylon, Micron Size 420.0	SEF-03-420.0-NYL-01-B	SEF-03-420.0-NYL-02-B
Polyester, Micron Size 420.0	SEF-03-420.0-PES-01-B	SEF-03-420.0-PES-02-B
Polypropylene, Micron Size 420.0	SEF-03-420.0-PPR-01-B	SEF-03-420.0-PPR-02-B
Nylon, Micron Size 500.0	SEF-03-500.0-NYL-01-B	SEF-03-500.0-NYL-02-B
Polyester, Micron Size 500.0	SEF-03-500.0-PES-01-B	SEF-03-500.0-PES-02-B
Polypropylene, Micron Size 500.0	SEF-03-500.0-PPR-01-B	SEF-03-500.0-PPR-02-B
Nylon, Micron Size 590.0	SEF-03-590.0-NYL-01-B	SEF-03-590.0-NYL-02-B
Polyester, Micron Size 590.0	SEF-03-590.0-PES-01-B	SEF-03-590.0-PES-02-B
Polypropylene, Micron Size 590.0	SEF-03-590.0-PPR-01-B	SEF-03-590.0-PPR-02-B
Nylon, Micron Size 840.0	SEF-03-840.0-NYL-01-B	SEF-03-840.0-NYL-02-B
Polyester, Micron Size 840.0	SEF-03-840.0-PES-01-B	SEF-03-840.0-PES-02-B
Polypropylene, Micron Size 840.0	SEF-03-840.0-PPR-01-B	SEF-03-840.0-PPR-02-B

# PARTS LIST

## MAINSTREAM MEDIA OPTIONS

### Mainstream (SEF) Filter - Code C

Description	Short Body Part Number	Long Body Part Number
Polypropylene, Micron Size 1.0	SEF-03-1.0-PPR-01-C	SEF-03-1.0-PPR-02-C
Polypropylene, Micron Size 3.0	SEF-03-3.0-PPR-01-C	SEF-03-3.0-PPR-02-C
Nylon-Nomex*, Micron Size 5.0	SEF-03-5.0-NOM-01-C	SEF-03-5.0-NOM-02-C
Nylon Monofillement, Micron Size 5.0	SEF-03-5.0-NMO-01-C	SEF-03-5.0-NMO-02-C
Polypropylene, Micron Size 5.0	SEF-03-5.0-PPR-01-C	SEF-03-5.0-PPR-02-C
Nylon-Nomex*, Micron Size 10.0	SEF-03-10.0-NOM-01-C	SEF-03-10.0-NOM-02-C
Nylon Monofillement, Micron Size 10.0	SEF-03-10.0-NMO-01-C	SEF-03-10.0-NMO-02-C
Polypropylene, Micron Size 10.0	SEF-03-10.0-PPR-01-C	SEF-03-10.0-PPR-02-C
Nylon-Nomex*, Micron Size 25.0	SEF-03-25.0-NOM-01-C	SEF-03-25.0-NOM-02-C
Nylon Monofillement, Micron Size 25.0	SEF-03-25.0-NMO-01-C	SEF-03-25.0-NMO-02-C
Polypropylene, Micron Size 25.0	SEF-03-25.0-PPR-01-C	SEF-03-25.0-PPR-02-C
Nylon-Nomex*, Micron Size 50.0	SEF-03-50.0-NOM-01-C	SEF-03-50.0-NOM-02-C
Polypropylene, Micron Size 50.0	SEF-03-50.0-PPR-01-C	SEF-03-50.0-PPR-02-C
Nylon Monofillement, Micron Size 55.0	SEF-03-55.0-NMO-01-C	SEF-03-55.0-NMO-02-C
Polyester, Micron Size 75.0	SEF-03-75.0-PES-01-C	SEF-03-75.0-PES-02-C
Polyester, Micron Size 100.0	SEF-03-100.0-PES-01-C	SEF-03-100.0-PES-02-C
Nylon-Nomex*, Micron Size 100.0	SEF-03-100.0-NOM-01-C	SEF-03-100.0-NOM-02-C
Polypropylene, Micron Size 100.0	SEF-03-100.0-PPR-01-C	SEF-03-100.0-PPR-02-C
Polyester, Micron Size 125.0	SEF-03-125.0-PES-01-C	SEF-03-125.0-PES-02-C
Polyester, Micron Size 150.0	SEF-03-150.0-PES-01-C	SEF-03-150.0-PES-02-C
Polyester, Micron Size 175.0	SEF-03-175.0-PES-01-C	SEF-03-175.0-PES-02-C
Polyester, Micron Size 200.0	SEF-03-200.0-PES-01-C	SEF-03-200.0-PES-02-C
Polypropylene, Micron Size 200.0	SEF-03-200.0-PPR-01-C	SEF-03-200.0-PPR-02-C
Polypropylene, Micron Size 300.0	SEF-03-300.0-PPR-01-C	SEF-03-300.0-PPR-02-C
Polyester, Micron Size 400.0	SEF-03-400.0-PES-01-C	SEF-03-400.0-PES-02-C
Polypropylene, Micron Size 600.0	SEF-03-600.0-PPR-01-C	SEF-03-600.0-PPR-02-C

### Mainstream (SEF) Filter - Code D

Description	Short Body Part Number	Long Body Part Number
Polypropylene, Micron Size 50.0	SEF-03-50.0-PPR-01-D	SEF-03-50.0-PPR-02-D
Cotton, Micron Size 300.0	SEF-03-300.0-COT-01-D	SEF-03-300.0-COT-02-D

### Mainstream (SEF) Filter - Code E

Description	Short Body Part Number	Long Body Part Number
Polypropylene, Micron Size 10.0	SEF-03-10.0-PPR-01-B	SEF-03-10.0-PPR-02-E
Polypropylene, Micron Size 25.0	SEF-03-25.0-PPR-01-B	SEF-03-25.0-PPR-02-E

\* Nomex is a registered trademark of Dupont.



# PARTS LIST

## MAINSTREAM MEDIA OPTIONS

### Mainstream (SEF) Filter - Code F

Description	Short Body Part Number	Long Body Part Number
Polyester, Micron Size 0.5	SEF-03-0.5-PES-01-C	SEF-03-0.5-PES-02-C
Polyester, Micron Size 1.0	SEF-03-1.0-PES-01-C	SEF-03-1.0-PES-02-C
Rayon, Micron Size 1.0	SEF-03-1.0-RAY-01-C	SEF-03-1.0-RAY-02-C
Polyester, Micron Size 3.0	SEF-03-3.0-PES-01-C	SEF-03-3.0-PES-02-C
Polypropylene, Micron Size 3.0	SEF-03-3.0-PPR-01-C	SEF-03-3.0-PPR-02-C
Polyester, Micron Size 5.0	SEF-03-5.0-PES-01-C	SEF-03-5.0-PES-02-C
Rayon, Micron Size 5.0	SEF-03-5.0-RAY-01-C	SEF-03-5.0-RAY-02-C
Rayon, Micron Size 10.0	SEF-03-10.0-RAY-01-C	SEF-03-10.0-RAY-02-C
Polyester, Micron Size 15.0	SEF-03-15.0-PES-01-C	SEF-03-15.0-PES-02-C
Rayon, Micron Size 15.0	SEF-03-15.0-RAY-01-C	SEF-03-15.0-RAY-02-C
Polyester, Micron Size 25.0	SEF-03-25.0-PES-01-C	SEF-03-25.0-PES-02-C
Rayon, Micron Size 25.0	SEF-03-25.0-RAY-01-C	SEF-03-25.0-RAY-02-C
Nylon Monofillement, Micron Size 45.0	SEF-03-45.0-NMO-01-C	SEF-03-45.0-NMO-02-C
Polyester, Micron Size 50.0	SEF-03-50.0-PES-01-C	SEF-03-50.0-PES-02-C
Polypropylene, Micron Size 50.0	SEF-03-50.0-PPR-01-C	SEF-03-50.0-PPR-02-C
Rayon, Micron Size 50.0	SEF-03-50.0-R-01-C	SEF-03-50.0-RAY-02-C
Nylon Monofillement, Micron Size 55.0	SEF-03-55.0-NMO-01-C	SEF-03-55.0-NMO-02-C
Nylon Monofillement, Micron Size 65.0	SEF-03-65.0-NMO-01-C	SEF-03-65.0-NMO-02-C
Nylon Monofillement, Micron Size 75.0	SEF-03-75.0-NMO-01-C	SEF-03-75.0-NMO-02-C
Polyester, Micron Size 75.0	SEF-03-75.0-PES-01-C	SEF-03-75.0-PES-02-C
Nylon Monofillement, Micron Size 80.0	SEF-03-80.0-NMO-01-C	SEF-03-80.0-NMO-02-C
Nylon Monofillement, Micron Size 100.0	SEF-03-100.0-NMO-01-C	SEF-03-100.0-NMO-02-C
Polyester, Micron Size 100.0	SEF-03-100.0-PES-01-C	SEF-03-100.0-PES-02-C
Polypropylene, Micron Size 100.0	SEF-03-100.0-PPR-01-C	SEF-03-100.0-PPR-02-C
Rayon, Micron Size 100.0	SEF-03-100.0-RAY-01-C	SEF-03-100.0-RAY-02-C
Nylon Monofillement, Micron Size 125.0	SEF-03-125.0-NMO-01-C	SEF-03-125.0-NMO-02-C
Nylon Monofillement, Micron Size 150.0	SEF-03-150.0-NMO-01-C	SEF-03-150.0-NMO-02-C
Nylon Monofillement, Micron Size 175.0	SEF-03-175.0-NMO-01-C	SEF-03-175.0-NMO-02-C
Nylon Monofillement, Micron Size 200.0	SEF-03-200.0-NMO-01-C	SEF-03-200.0-NMO-02-C
Polyester, Micron Size 200.0	SEF-03-200.0-PES-01-C	SEF-03-200.0-PES-02-C
Nylon Monofillement, Micron Size 250.0	SEF-03-250.0-NMO-01-C	SEF-03-250.0-NMO-02-C
Nylon Monofillement, Micron Size 300.0	SEF-03-300.0-NMO-01-C	SEF-03-300.0-NMO-02-C
Nylon Monofillement, Micron Size 400.0	SEF-03-400.0-NMO-01-C	SEF-03-400.0-NMO-02-C
Nylon Monofillement, Micron Size 600.0	SEF-03-600.0-NMO-01-C	SEF-03-600.0-NMO-02-C
Nylon Monofillement, Micron Size 800.0	SEF-03-800.0-NMO-01-C	SEF-03-800.0-NMO-02-C

# PARTS LIST

## MAINSTREAM MEDIA OPTIONS

### Mainstream Filter Media (SEB)

Code	Description	Part Number Short Body	Part Number Long Body
G	0.250 dia./18 ga., % of open area 58.0	SEB1-2-02A-G-316L	SEB2-2-02A-G-316L
E	0.125 dia./18 ga., % of open area 58.0	SEB1-2-02A-E-316L	SEB2-2-02A-E-316L
W	0.500 dia./18 ga., % of open area 58.0	SEB1-2-02A-W-316L	SEB2-2-02A-W-316L
D	0.09375 dia./18 ga., % of open area 58.0	SEB1-2-02A-D-316L	SEB2-2-02A-D-316L

### Mainstream Filter Media (SEBHVW)

Code	Description	Part Number Short Body	Part Number Long Body
A	Space btw 0.005, Pressure Differential, 100, Micron Equivelent 127	SEBHVW1-02-A-316L	SEBHVW2-02-A-316L
B	Space btw 0.0075, Pressure Differential, 100, Micron Equivelent 190	SEBHVW1-02-B-316L	SEBHVW2-02-B-316L
C	Space btw 0.010, Pressure Differential, 85, Micron Equivelent 254	SEBHVW1-02-C-316L	SEBHVW2-02-C-316L
D	Space btw 0.015, Pressure Differential, 85, Micron Equivelent 381	SEBHVW1-02-D-316L	SEBHVW2-02-D-316L
E	Space btw 0.020, Pressure Differential, 70, Micron Equivelent 508	SEBHVW1-02-E-316L	SEBHVW2-02-E-316L
F	Space btw 0.025, Pressure Differential, 70, Micron Equivelent 635	SEBHVW1-02-F-316L	SEBHVW2-02-F-316L
G	Space btw 0.030, Pressure Differential, 55, Micron Equivelent 762	SEBHVW1-02-G-316L	SEBHVW2-02-G-316L
H	Space btw 0.035, Pressure Differential, 55, Micron Equivelent 889	SEBHVW1-02-H-316L	SEBHVW2-02-H-316L

# PARTS LIST

## STREAMLINE MEDIA OPTIONS

### Streamline Filter Media

Code	Description	Part Number
A	Short Body (1", 1½", 2") Filter, non-woven rayon, Micron Rating 38*	F1-1-30-A
A	Short Body (2½", 3") Filter, non-woven rayon, Micron Rating 38*	F1-2½-30-A
A	Long Body (1½", 2") Filter, non-woven rayon, Micron Rating 38*	F2-1½-30-A
A	Long Body (2½", 3") Filter, non-woven rayon, Micron Rating 38*	F2-2½-30-A
B	Short Body (1", 1½", 2") Filter, woven knapped cotton flannel, Micron Rating 513*	F1-1-30-B
B	Short Body (2½", 3") Filter, woven knapped cotton flannel, Micron Rating 513*	F1-2½-30-B
B	Long Body (1½", 2") Filter, woven knapped cotton flannel, Micron Rating 513*	F2-1½-30-B
B	Long Body (2½", 3") Filter, woven knapped cotton flannel, Micron Rating 513*	F2-2½-30-B
C	Short Body (1", 1½", 2") Filter, cheese cloth single thickness cotton, Micron Rating 300*	F1-1-30-C
C	Short Body (2½", 3") Filter, cheese cloth single thickness cotton, Micron Rating 300*	F1-2½-30-C
C	Long Body (1½", 2") Filter, cheese cloth single thickness cotton, Micron Rating 300*	F2-1½-30-C
C	Long Body (2½", 3") Filter, cheese cloth single thickness cotton, Micron Rating 300*	F2-2½-30-C
D	Short Body (1", 1½", 2") Filter, nylon 26/29 mesh, rectangular opening, Micron Rating 765*	F1-1-30-D
D	Short Body (2½", 3") Filter, nylon 26/29 mesh, rectangular opening, Micron Rating 765*	F1-2½-30-D
D	Long Body (1½", 2") Filter, nylon 26/29 mesh, rectangular opening, Micron Rating 765*	F2-1½-30-D
D	Long Body (2½", 3") Filter, nylon 26/29 mesh, rectangular opening, Micron Rating 765*	F2-2½-30-D
E	Short Body (1", 1½", 2") Filter, non-woven rayon, Micron Rating 40-42*	F1-1-30-E
E	Short Body (2½", 3") Filter, non-woven rayon, Micron Rating 40-42*	F1-2½-30-E
E	Long Body (1½", 2") Filter, non-woven rayon, Micron Rating 40-42*	F2-1½-30-E
E	Long Body (2½", 3") Filter, non-woven rayon, Micron Rating 40-42*	F2-2½-30-E
F	Short Body (1", 1½", 2") Filter, non-woven rayon, Micron Rating <40*	F1-1-30-F
F	Short Body (2½", 3") Filter, non-woven rayon, Micron Rating <40*	F1-2½-30-F
F	Long Body (1½", 2") Filter, non-woven rayon, Micron Rating <40*	F2-1½-30-F
F	Long Body (2½", 3") Filter, non-woven rayon, Micron Rating <40*	F2-2½-30-F
G	Short Body (1", 1½", 2") Filter, woven rayon, 40 mesh, Micron Rating 420*	F1-1-30-G
G	Short Body (2½", 3") Filter, woven rayon, 40 mesh, Micron Rating 420*	F1-2½-30-G
G	Long Body (1½", 2") Filter, woven rayon, 40 mesh, Micron Rating 420*	F2-1½-30-G
G	Long Body (2½", 3") Filter, woven rayon, 40 mesh, Micron Rating 420*	F2-2½-30-G

\* Micron Ratings are estimated.

# PARTS LIST

## STREAMLINE MEDIA OPTIONS

### Streamline Overscreens

Code	Description	Part Number
R	(1", 1½", 2") Short Body, Square Mesh size 16, Space Btw Wire 0.045", Micron Rating 1130, Open Area 50.7%	F1-1-44-R
R	(2½", 3") Short Body, Square Mesh size 16, Space Btw Wire 0.045", Micron Rating 1130, Open Area 50.7%	F1-2½-44-R
R	(1½", 2") Long Body, Square Mesh size 16, Space Btw Wire 0.045", Micron Rating 1130, Open Area 50.7%	F2-1½-44-R
R	(2½", 3") Long, Body, Square Mesh size 16, Space Btw Wire 0.045", Micron Rating 1130, Open Area 50.7%	F2-2½-44-R
P	(1", 1½", 2") Short Body, Square Mesh size 20, Space Btw Wire 0.034", Micron Rating 864, Open Area 46.2%	F1-1-44-P
P	(2½", 3") Short Body, Square Mesh size 20, Space Btw Wire 0.034", Micron Rating 864, Open Area 46.2%	F1-2½-44-P
P	(1½", 2") Long Body, Square Mesh size 20, Space Btw Wire 0.034", Micron Rating 864, Open Area 46.2%	F2-1½-44-P
P	(2½", 3") Long Body, Square Mesh size 20, Space Btw Wire 0.034", Micron Rating 864, Open Area 46.2%	F2-2½-44-P
T	(1", 1½", 2") Short Body, Square Mesh size 30, Space Btw Wire 0.021", Micron Rating 533, Open Area 40.8%	F1-1-44-T
T	(2½", 3") Short Body, Square Mesh size 30, Space Btw Wire 0.021", Micron Rating 533, Open Area 40.8%	F1-2½-44-T
T	(1½", 2") Long Body, Square Mesh size 30, Space Btw Wire 0.021", Micron Rating 533, Open Area 40.8%	F2-1½-44-T
T	(2½", 3") Long Body, Square Mesh size 30, Space Btw Wire 0.021", Micron Rating 533, Open Area 40.8%	F2-2½-44-T
J	(1", 1½", 2") Short Body, Square Mesh size 40, Space Btw Wire 0.015", Micron Rating 381, Open Area 36.0%	F1-1-44-J
J	(2½", 3") Short Body, Square Mesh size 40, Space Btw Wire 0.015", Micron Rating 381, Open Area 36.0%	F1-2½-44-J
J	(1½", 2") Long Body, Square Mesh size 40, Space Btw Wire 0.015", Micron Rating 381, Open Area 36.0%	F2-1½-44-J
J	(2½", 3") Long Body, Square Mesh size 40, Space Btw Wire 0.015", Micron Rating 381, Open Area 36.0%	F2-2½-44-J
N	(1", 1½", 2") Short Body, Square Mesh size 50, Space Btw Wire 0.011", Micron Rating 279, Open Area 30.3%	F1-1-44-N
N	(2½", 3") Short Body, Square Mesh size 50, Space Btw Wire 0.011", Micron Rating 279, Open Area 30.3%	F1-2½-44-N
N	(1½", 2") Long Body, Square Mesh size 50, Space Btw Wire 0.011", Micron Rating 279, Open Area 30.3%	F2-1½-44-N
N	(2½", 3") Long Body, Square Mesh size 50, Space Btw Wire 0.011", Micron Rating 279, Open Area 30.3%	F2-2½-44-N
F	(1", 1½", 2") Short Body, Square Mesh size 60, Space Btw Wire 0.009", Micron Rating 229, Open Area 30.3%	F1-1-44-F
F	(2½", 3") Short Body, Square Mesh size 60, Space Btw Wire 0.009", Micron Rating 229, Open Area 30.3%	F1-2½-44-F
F	(1½", 2") Long Body, Square Mesh size 60, Space Btw Wire 0.009", Micron Rating 229, Open Area 30.3%	F2-1½-44-F
F	(2½", 3") Long Body, Square Mesh size 60, Space Btw Wire 0.009", Micron Rating 229, Open Area 30.3%	F2-2½-44-F
L	(1", 1½", 2") Short Body, Square Mesh size 80, Space Btw Wire 0.007", Micron Rating 178, Open Area 31.4%	F1-1-44-L
L	(2½", 3") Short Body, Square Mesh size 80, Space Btw Wire 0.007", Micron Rating 178, Open Area 31.4%	F1-2½-44-L
L	(1½", 2") Long Body, Square Mesh size 80, Space Btw Wire 0.007", Micron Rating 178, Open Area 31.4%	F2-1½-44-L
L	(2½", 3") Long Body, Square Mesh size 80, Space Btw Wire 0.007", Micron Rating 178, Open Area 31.4%	F2-2½-44-L
K	(1", 1½", 2") Short Body, Square Mesh size 100, Space Btw Wire 0.006", Micron Rating 140, Open Area 30.3%	F1-1-44-K
K	(2½", 3") Short Body, Square Mesh size 100, Space Btw Wire 0.006", Micron Rating 140, Open Area 30.3%	F1-2½-44-K
K	(1½", 2") Long Body, Square Mesh size 100, Space Btw Wire 0.006", Micron Rating 140, Open Area 30.3%	F2-1½-44-K
K	(2½", 3") Long Body, Square Mesh size 100, Space Btw Wire 0.006", Micron Rating 140, Open Area 30.3%	F2-2½-44-K
H	(1", 1½", 2") Short Body, Square Mesh size 120, Space Btw Wire 0.005", Micron Rating 117, Open Area 30.7%	F1-1-44-H
H	(2½", 3") Short Body, Square Mesh size 120, Space Btw Wire 0.005", Micron Rating 117, Open Area 30.7%	F1-2½-44-H
H	(1½", 2") Long Body, Square Mesh size 120, Space Btw Wire 0.005", Micron Rating 117, Open Area 30.7%	F2-1½-44-H
H	(2½", 3") Long Body, Square Mesh size 120, Space Btw Wire 0.005", Micron Rating 117, Open Area 30.7%	F2-2½-44-H
M	(1", 1½", 2") Short Body, Square Mesh size 150, Space Btw Wire 0.004", Micron Rating 104, Open Area 37.4%	F1-1-44-M
M	(2½", 3") Short Body, Square Mesh size 150, Space Btw Wire 0.004", Micron Rating 104, Open Area 37.4%	F1-2½-44-M
M	(1½", 2") Long Body, Square Mesh size 150, Space Btw Wire 0.004", Micron Rating 104, Open Area 37.4%	F2-1½-44-M
M	(2½", 3") Long Body, Square Mesh size 150, Space Btw Wire 0.004", Micron Rating 104, Open Area 37.4%	F2-2½-44-M