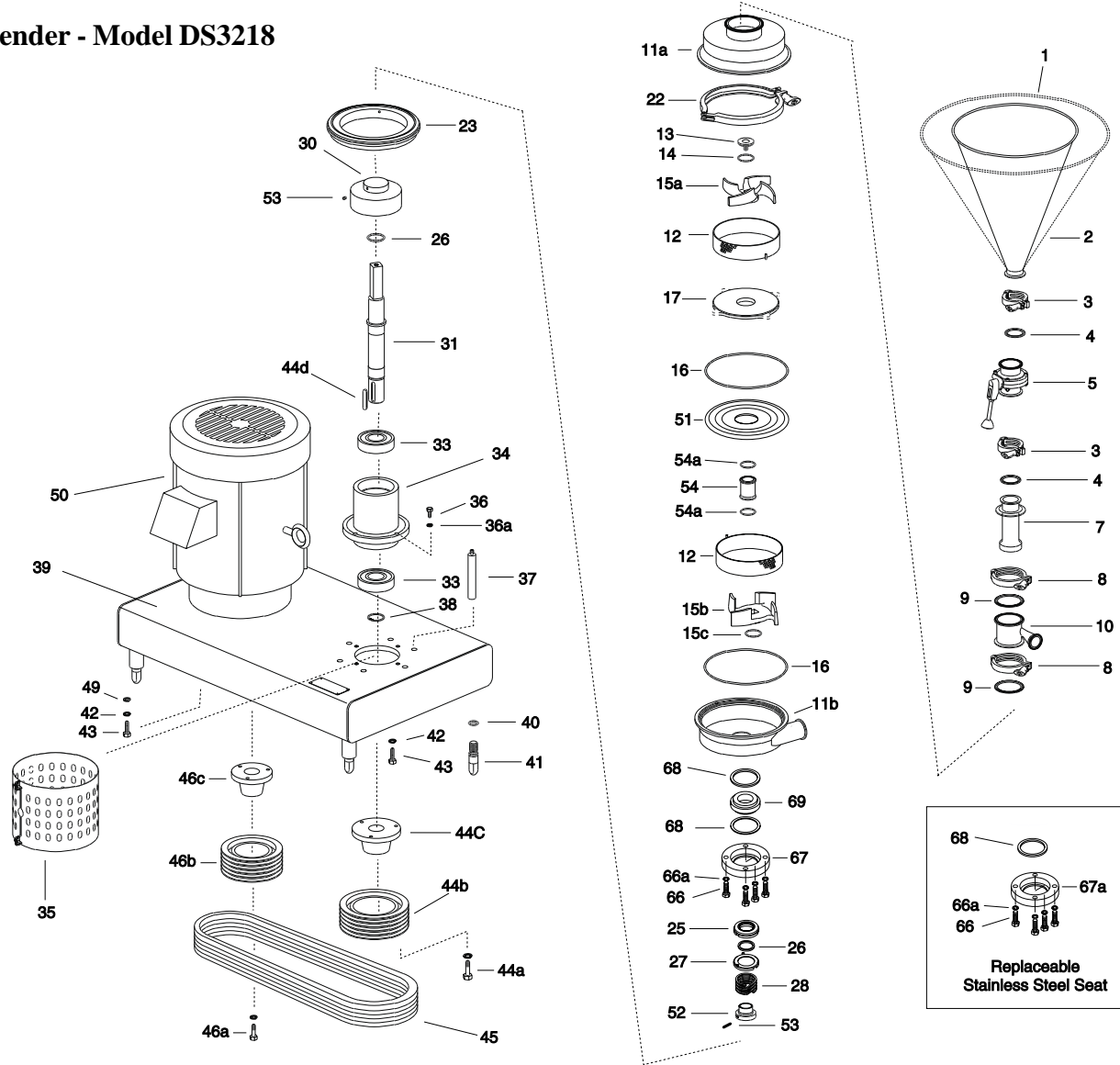


Parts List

Dual Stage Tri-Blender - Model DS3218



PARTS LIST

MODEL DS3218

All orders for repair parts must contain the following data.

1. Complete model number (located on nameplate).
2. Tri-Blender serial number (located on nameplate).
3. Description and part key number from the parts list.

The exploded views and accompanying parts list facilitate ordering repair parts from the factory. All parts of the Tri-Blender are exploded and keyed to the parts list.

Key No.	Description	Part Number	Qty	Key No.	Description	Part Number	Qty
1	40° hopper	D3218-55-40-01	1	35	Seal Gaurd	F3218D-131-S	1
2	60° hopper	D3218-55-60-01	1	36	Screw, Bearing Housing	SC1510H-SS	5
3	Clamp	13MHHM-2-S	2	36a	Lockwasher, Bearing Housing	LWA1500-SS	5
4	Gasket	40MP-U-2	2	37	Spacer	DS3218-71A-316L	6
5	Manual Butterfly Valve	B51A-4-E-S	1	38	Retaining Ring	DS3218-177	1
7	Difuser & Suction Tube	F3218-05-316	1	39	Base Plate	DS3218-23-S	1
8	Clamp	13MHHM-4-S	2	40	O-Ring, Adjustable Leg	01-1154-13-34-U	4
9	Gasket	40MP-U-4	2	41	Adjustable Leg	R3-1-23-03-S	4
10	Inlet Adapter	F3218-217-316	1	42	Washer, Spacer & Motor	LWA1700-SS	10
11a	Upper Casing	DS3218-1B-01-316L	1	43	Screw, Spacer & Motor	SC1712H-SS	10
11b	Lower Casing	DS3218-1A-316L	1	44	Blender Pulley 50 Cycle	DS3218-106-5-3V5.0x1.500	1
12	Impeller Screen	DS3218-215-316	2	44	Blender Pulley 60 Cycle	DS3218-106-5-3V6.0x1500	1
13	Screw, upper impeller	DS3218-26-316L	1	44d	Blender Pulley Key	D3218-46	1
14	O-Ring, upper impeller	17-15-U	1	45	"V" Belt	D3218-3VX600	5
15a	Upper Impeller	DS3218-2B-02-316	1	46	Motor Pulley 50 Cycle	DS3218-108-5-3V8.0x1.875	1
15b	Lower Impeller	DS3218-2A-02-316	1	46	Motor Pulley 60 Cycle	DS3218-108-5-3V8.0x1.875	1
16	O-Ring, casing	17-327-U	2	49	Washer, Motor	WA1700-SS	4
17	Backplate	DS3218-11-316	1	51	Diffuser Plate	DS3218-5-316L	1
22	Clamp, Casing	DS3218-75-S	1	52	Drive Collar	SP328D-23P-S	1
23	Adapter Ring	DS3218-71-1-S	1	53	Setscrew	SC1105A-SS	1
25	Carbon Seal	328E-80-1A-Mat'l	1	54	Shaft Sleeve	DS3218-14-316L	4
26	O-Ring	S328-80-2-U	3	54a	O-Ring, Shaft Sleeve	17-51-U	1
27	Cup	328D-80-3P	1	66	Bolt, Gland Ring	SC1310H-SS	2
28	Spring	328D-80-4	1	66a	Lockwasher, Gland Ring	LWA1300-SS	4
30	Deflector	F3218-40E-S	1	67	Gland Ring (DG Seal)	SP328G-17-316L	4
31	Drive Shaft	DS3218-06-316L	1	67a	Stainless Steel Seat	DS3218-17-316L	1
33	Bearings	D3218-18	3	68	PTFE Gasket	SP328G-80-1-2-G	2
34	Bearing Housing	F4329-99-S	1	69	Seal Seat	SP328G-80-1-1-Mat'l	1