

# PARTS LIST

## Control Housings for Actuated Valves

Series 761, 761TR, Butterfly Valve B53

### How to order replacement parts

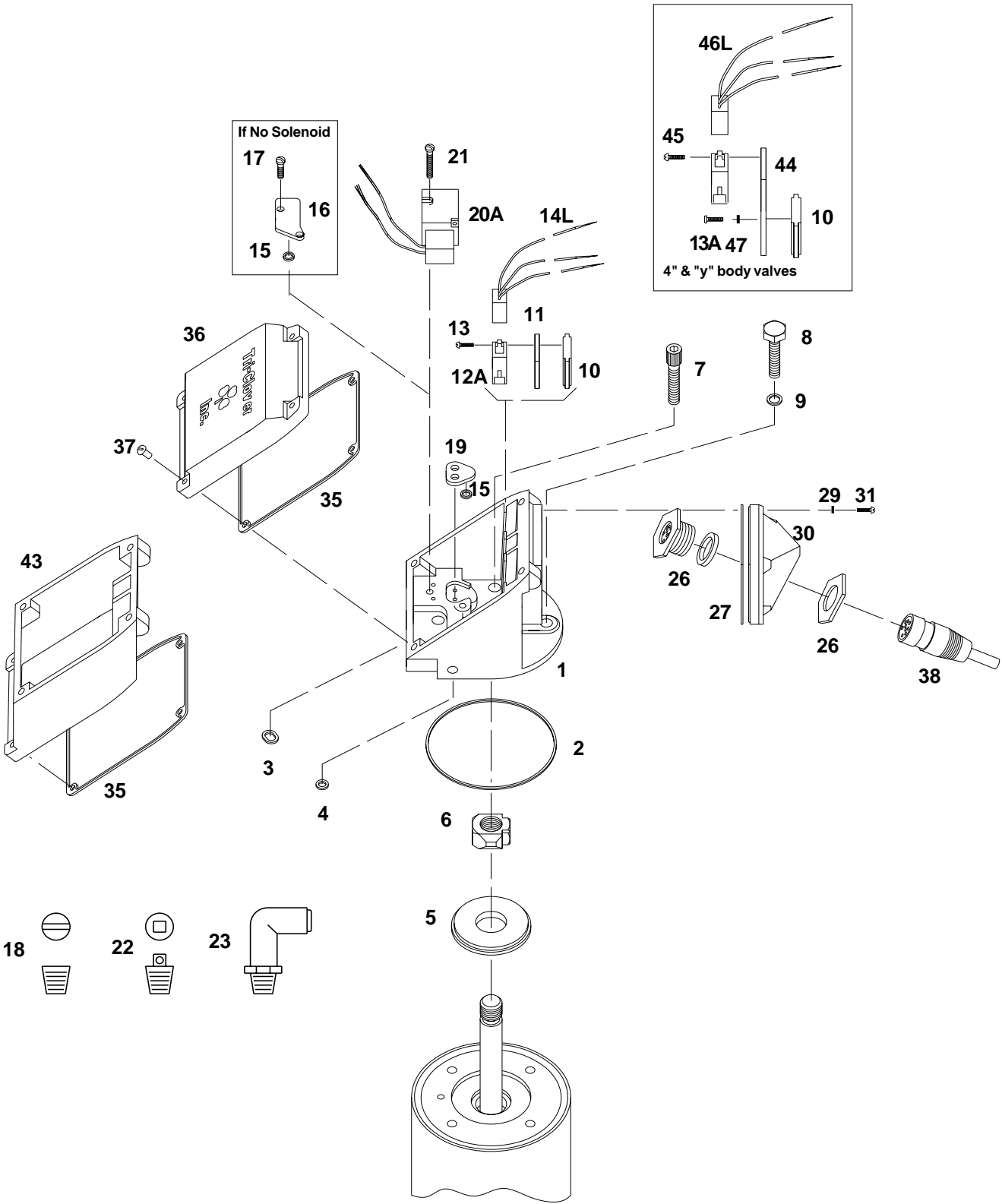
All orders for repair parts must contain the following data:

1. Complete model number (from name plate).
2. Serial number (from name plate).
3. Key number and description.

The following exploded view and accompanying parts list facilitate order repair parts from the factory. All parts list illustrated are indexed to the parts list by key numbers.

Key #	Description	Part Number	Quantity
1	Base	1-36	1
2	O-Ring	17-109-U	1
3	O-Ring	17-35-U	1
4	O-Ring	17-63-U	1
5	Packing Retainer	25-428-04	1
6	Stem Guide (Limit Switch)	36-82A	1
6 A	Stem Guide (Proximity Switch)	36-94	1
7	Screw	SC1307E-SS	3
8	Screw	SC1308H-SS	1
9	Lockwasher	LWA1300-SS	1
10	Mounting Block	54-100	1 or 2
11	Spacer Block	54-101	1 or 2
12A•	Micro Switch	EL-79500-0013	1 or 2
12B•	Proximity Switch (with harness)	EL-79500-0030	1 or 2
12C•	Proximity Switch - std.- (without harness)	EL-79500-0040	1 or 2
13	Screw	SC108R-SS	2 or 4
13A	Screw (4" only)	SC105H-SS	3
14L*	Left Wire Harness	EL-97750-0048	1 or 2
14R*	Right Wire Harness	EL-97750-0049	1 or 2
15	O-Ring	17-344-U	3 or 4
16	Stop Block (w/o solenoid)	54-99	1
17	Screw (w/o solenoid)	SC505R-SS	2
18	Plug	14-124	1 or 2 or 3
19	Selector Block (w/solenoid)	54-98	1
20A•	24 VDC Solenoid	33-171A	1

# PARTS LIST



# PARTS LIST

Key #	Description	Part Number	Quantity
20B•	110 VAC Solenoid	33-169A	1
20C•	24 VAC Solenoid	33-170A	1
21	Screw (w/ solenoid)	SC512F-SS	2
22	Vent Plug	MS-105-58A-CP	1
23	Poly-Flo Elbow	42-76-9	1
24	Poly-Flo (Normally Closed Valve)	41-6	1
26	Electrical Connector	EL-19600-0087	1
27	Rear Cover Gasket	17-340B-E	1
29	O-Ring	17-139-U-90	4
30	Back Cover	44-251B	1
31	Screw	SC107R-SS	4
34	Screw	SC110R-SS	4
35	Front Cover Gasket	17-337B-E	1
36	Cover	1-37	1
37	Screw	SC707R-SS	4
38	Cable Assembly	EL-97515-0058	1
40	Pressure Relief	17-348	1
41	Circuit Board	EL-11100-0002	1
42	Cable Clamp (4" only)	16-115	1
43	Base Extension	1-38	1
44	Spacer Block	54-115	1
45	Screw	SC108R-SS	1
46L	Wire Harness	EL-97750-0047	1
47	Lockwasher	LWA100-SS	3
48	Ground Strap	EL-97750-0060	1
49	Stem Adapter (1" only)	36-87-S	1

- It is recommended that one of each of the items be stocked as spare parts.
- \* Required when using 12A or 12B.
- Items 42 through 47 are for control housings used with a stroke longer than 2 inches.
- Item 42 not shown.

This manual is for standard control top modules. Separate service manuals are available for the Series 761 Valve (761-VSM) and Series B53 Valve (B53) and actuator assemblies. The manuals should be available and referred to when any valve servicing is performed.