

PARTS LIST

All orders for repair parts must contain the following data.

1. Complete model number (located on nameplate).
2. Pump serial number (located on nameplate).
3. Description and part key number from the parts list.

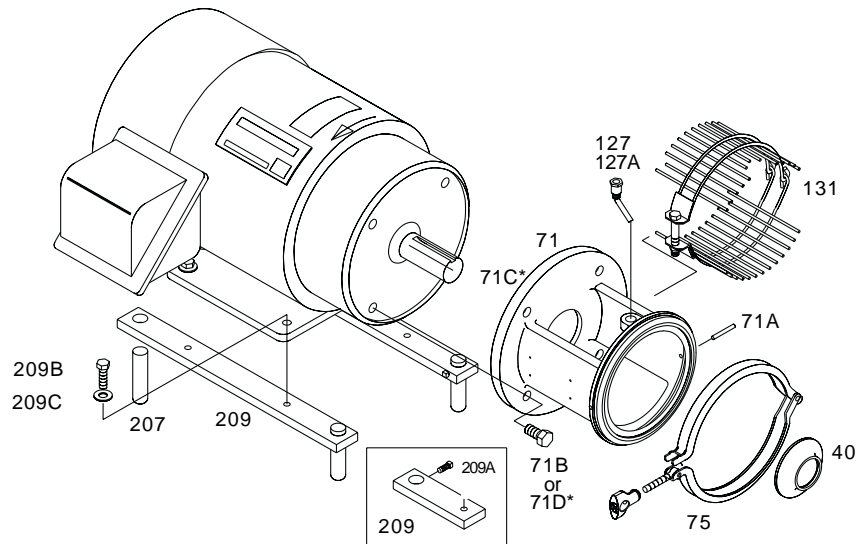
The exploded views and accompanying parts list facilitate ordering repair parts from the factory. All parts of the pump are exploded and keyed to the parts list.

KEY	DESCRIPTION	QTY	KEY	DESCRIPTION	QTY
1	Casing	1	80	Carbon Seal	1 or 2*
2	Impeller	1	80A	Cup	1
6A	Set Screw (Shaft)	4	80B	O-ring (Seal)	1 or 2*
6D	Universal Stub Shaft-Threaded	1	80C	Spring	1
6E	Universal Stub Shaft-STD	1	80G	Cup	2
11	Backplate	1	80H	Spring	1
11B	Backplate	1	80J	Drive Collar	1
11F	Backplate Pin	2	80K	Set Screw	2
11H	Backplate (DG)	1	80L	Drive Collar	1
17	Follower	1	80M	Set Screw-Drive Collar	2
17A	Machine Screw	4	80N	Seal Seat (DG)	1
17B	O-ring	1	80P	PTFE Gaskets (DG)	1 or 2**
17C	Lockwasher	4	80R	PTFE Gaskets (DG)	1**
17J	SS Gland Ring (DG)	1	83C	Stuffing Box	1
17K	Bolt/Screw (DG)	4	83D	Machine Screw	4
17M	Lockwasher (DG)	4**	83E	O-ring	1
24	Retainer (Impeller)	1	90	Casing Gasket	1
24A	Castellated Nut (Impeller)	1	127	Water Inlet Assembly	1
24B	Cotter Pin (Impeller)	1	127A	Lock Nut	1
40	Deflector	1	131	Seal Guard Assembly	1
71	Adapter	1	133	Washer (Impeller)	1
71A	Adapter Pin	2	207	Adjustable Leg	4
71B	Adapter Mounting Screw	4	209	Adjustable Leg Bracket	2
71C	Adapter Plate (See note next page)	1	209A	Set Screw (Square Hd.)	4
71D	Adapter Mounting Screw- (Used only with #71C above)	4	209B	Bracket Mounting Screw	4
75	Clamp Assembly Complete	1	209C	Washer (Leg Assembly)	4

* E Seal takes 2.

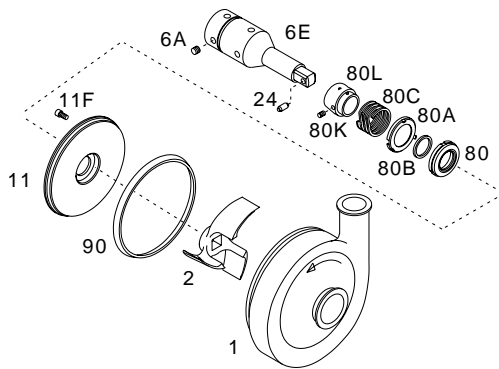
** Model 114/216/218/328 req. 1-#80P outboard gasket (1/16" thick), and 1-#80R inboard gasket (1/8" thick). Gaskets are not interchangeable. Model 4410 req. 2-#80P gaskets (same size out/inboard). All models req. 4-#17M lockwashers.

For All C Series Pumps

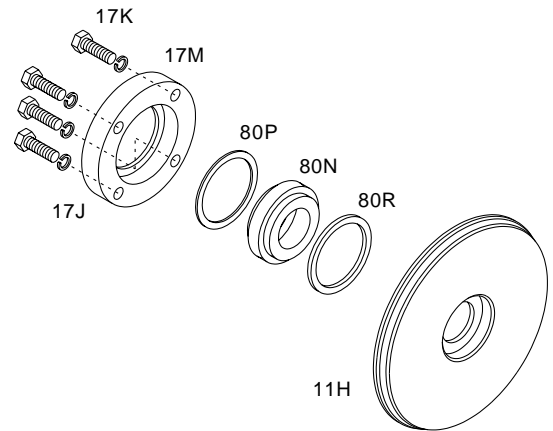


Note:* Depending on type of frame, some older models C114 and 216 with type E seals require a special adapter #71C, and longer mounting screws, #71D.

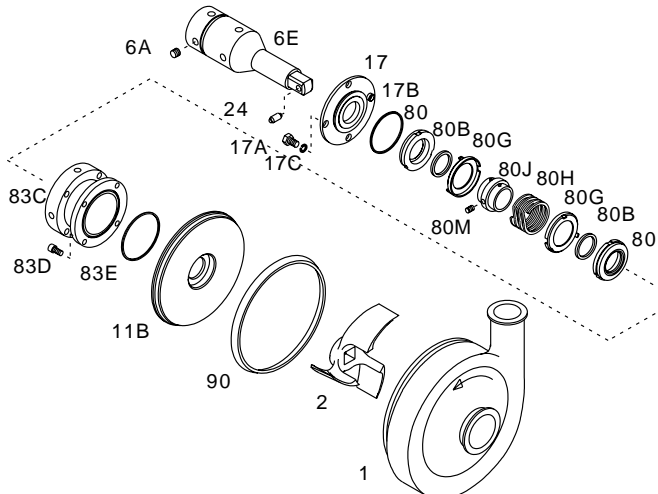
Floating Retainer with Type D or F External Balanced Seals



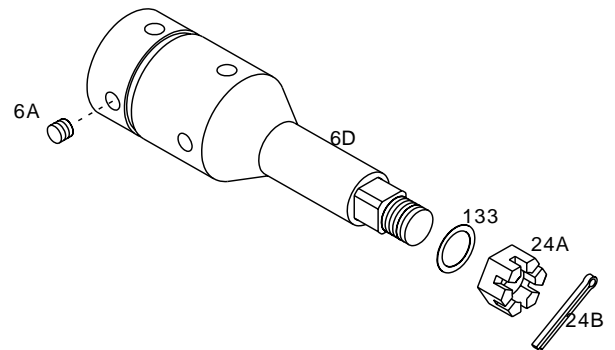
Additional Type "DG" Clamped-in Seal Seat Components (For use with type D seal)



Floating Retainer with Type E Water Cooled Balanced Double Seal



Threaded Shaft and Castellated Nut Retainer System for Use with Type D, F or E Seals



PARTS LIST

All orders for repair parts must contain the following data.

1. Complete model number (located on nameplate).
2. Pump serial number (located on nameplate).
3. Description and part key number from the parts list.

The exploded views and accompanying parts list facilitate ordering repair parts from the factory. All parts of the pump are exploded and keyed to the parts list.

KEY	DESCRIPTION	QTY	KEY	DESCRIPTION	QTY
1	Casing	1	80	Carbon Seal	1 or 2*
2	Impeller	1	80A	Cup	1
6A	Set Screw (Shaft)	4	80B	O-ring (Seal)	1 or 2*
6D	Universal Stub Shaft-Threaded	1	80C	Spring	1
6E	Universal Stub Shaft-STD	1	80G	Cup	2
11	Backplate	1	80H	Spring	1
11B	Backplate	1	80J	Drive Collar	1
11F	Backplate Pin	2	80K	Set Screw	2
11H	Backplate (DG)	1	80L	Drive Collar	1
17	Follower	1	80M	Set Screw-Drive Collar	2
17A	Machine Screw	4	80N	Seal Seat (DG)	1
17B	O-ring	1	80P	PTFE Gaskets (DG)	1 or 2**
17C	Lockwasher	4	80R	PTFE Gaskets (DG)	1**
17J	SS Gland Ring (DG)	1	83C	Stuffing Box	1
17K	Bolt/Screw (DG)	4	83D	Machine Screw	4
17M	Lockwasher (DG)	4**	83E	O-ring	1
24	Retainer (Impeller)	1	90	Casing Gasket	1
24A	Castellated Nut (Impeller)	1	127	Water Inlet Assembly	1
24B	Cotter Pin (Impeller)	1	127A	Lock Nut	1
40	Deflector	1	131	Seal Guard Assembly	1
71	Adapter	1	133	Washer (Impeller)	1
71A	Adapter Pin	2	207	Adjustable Leg	4
71B	Adapter Mounting Screw	4	209	Adjustable Leg Bracket	2
71C	Adapter Plate (See note next page)	1	209A	Set Screw (Square Hd.)	4
71D	Adapter Mounting Screw- (Used only with #71C above)	4	209B	Bracket Mounting Screw	4
75	Clamp Assembly Complete	1	209C	Washer (Leg Assembly)	4

* E Seal takes 2.

** Model 114/216/218/328 req. 1-#80P outboard gasket (1/16" thick), and 1-#80R inboard gasket (1/8" thick). Gaskets are not interchangeable. Model 4410 req. 2-#80P gaskets (same size out/inboard). All models req. 4-#17M lockwashers.

PARTS LIST

C-SERIES CLOSE COUPLED PUMP

Key No.	Description	C114	C216	C218	C328	C4410
		Part Number	Part Number	Part Number	Part Number	Part Number
1	Casing (Tri-Clamp) Sanitary	S114M-01C-316L	S216M-01C-316L	S218M-01D-316L	S328M-01C-316L	SP4410M-01A-316L
1	Casing (Bevel Seat) Sanitary	S114T-01C-316L	S216T-01C-316L	S218T-01D-316L	S328T-01C-316	SP4410T-01A-316
1	Casing (N.P.T.) Glass Beaded	S114S-01C-316L	S216S-01C-316L	S218S-01D-316L	S328S-01C-316	SP4410S-01A-316
1	Casing (Tri-Clamp) Glass Beaded	S114MI-01C-316L	S216MI-01C-316	S218MI-01D-316	S328MI-01C-316	SP4410MI-01A-316
1	Casing (Bevel Seat) Glass Beaded	S114TI-01C-316L	S216TI-01C-316	S218TI-01D-316	S328TI-01C-316	SP4410TI-01A-316
1	Casing (Flanged) Glass Beaded	S114F-01D-316L	S216F-01D-316L	S218F-01E-316L	S328F-01D-316L	SP4410F-01B-316
2	Impeller	S114-02C-316L	S216-02C-316L	S218-02C-316L	S328-02C-316	SP5410-02A-316
11	Backplate	114D-11-316	216D-11-316	328D-11-316	328D-11-316	4410D-11-316
11B	Backplate (E Balanced)	114E-11B-316	216E-11B-316	328E-11B-316	328E-11B-316	4410E-11-316
11F	Backplate Pin	216D-11-1-S	216D-11-1-S	216D-11-1-S	216D-11-1-S	SC1108D-M
11H	Backplate (DG Seat)	SP114G-11-316L	SP216G-11-316L	SP328G-11-316	SP328G-11-316	4410G-11-316
17	Follower	114E-17A-316	216E-17A-316	328E-17-316	328E-17-316	4410E-17-316
17A	Machine Screw	SC1106E-SS	SC1308H-SS	SC1308H-SS	SC1308H-SS	SC1308H-SS
17B	O-ring	17-106-U-25**	17-275-U	17-274-U	17-274-U	17-108-U-25**
17C	Lockwasher (DG Seat)	---	LWA1300-SS	LWA1300-SS	LWA1300-SS	LWA1300-SS
17J	Gland Ring (DG Seat)	SP114G-17-316L	SP216G-17-316L	SP328G-17-316L	SP328G-17-316L	4410-G-17-316L
17K	Bolt / Screw (DG Seat)	SC1110H-SS	SC1310H-SS	SC1311H-SS	SC1311H-SS	SC1311H-SS
17M	Lockwasher	LWA-1100-SS	LWA-1300-SS	LWA-1300-SS	LWA-1300-SS	LWA-1300-SS
24	Impeller Retainer	114D-24B-316L	216D-24B-316L	328D-24B-316L	328D-24B-316L	328D-24C-U
24A	Castellated Nut (Impeller)	SP114F-24-316	SP216F-24-316L	SP328F-24-316	SP328F-24-316	SP328F-24-316
24B	Cotter Pin (Impeller)	16-113-1/8X1-316	16-113-1/8X1-316	16-113-1/8X1 1/2-316	16-113-1/8X2-316	16-113-1/8X2-316
71A	Adapter Pin	216D-71A-1-S	216D-71A-1-S	216D-71A-1-S	216D-71A-1-S	SP5410-11A-1-S
75	Clamp Assembly Complete	S114-75AR-S	S216-75AR-S	S328-75AR-S	S328-75AR-S	SP4410-75D-S
75J	Eye Bolt	S114-75A-04-S	S114-75A-04-S	S114-75A-04-S	S114-75A-04-S	---
75K	Wing Nut	13MHHS-1 1/2-03-S	13MHHS-1 1/2-03-S	13MHHS-1 1/2-03-S	13MHHS-1 1/2-03-S	---
80	Carbon Seal	114E-80-1A	216E-80-1A	328E-80-1A	328E-80-1A	4410E-80-1
80A	Cup	114D-80-3P	216D-80-3P	328D-80-3P	328D-80-3P	4410D-80-3
80B	O-ring (Seal)	60C-3-34A-U	01-1165-19-U	S328-80-2-U	S328-80-2-U	17-15-U
80C	Spring	114D-80-4	216D-80-4	328D-80-4	328D-80-4	4410D-80-4
80G	Cup (E Balanced)	114E-80-3P	216E-80-3P	328E-80-3P	328E-80-3P	4410E-80-3
80H	Spring (E Balanced)	114E-80-4A	216E-80-4A	328E-80-4A	328E-80-4A	4410E-80-4

PARTS LIST

C-SERIES CLOSE COUPLED PUMP (CONT.)

		C114	C216	C218	C328	C4410
Key No.	Description	Part Number	Part Number	Part Number	Part Number	Part Number
80J	Drive Collar (E Balanced)	114E-23-316L	216E-23-316L	328E-23-316L	328E-23-316L	4410E-23-316
80K	Set Screw (E Balanced)	SC903A-SS	SC1103A-SS	SC1103A-SS	SC1103A-SS	SC1103A-SS
80L	Drive Collar	SP114D-23P-316L	SP216D-23P-S	SP328D-23P-S	SP328D-23P-S	4EHD-143-23P-S
80M	Set Screw	SC905A-SS	SC1105A-SS	SC1105A-SS	SC1105A-SS	SC1105A-SS
80N	Type DG Seal Seat TC	SP114G-80-1-1-TC	SP216G-80-1-1-TC	SP328G-80-1-1-TC	SP328G-80-1-1-TC	4410G-80-1-1-TC
Specify Material	Type DG Seal Seat Ceramic	SP114G-80-1-1-CER	SP216G-80-1-1-CER	SP328G-80-1-1-CER	SP328G-80-1-1-CER	4410G-80-1-1-CER
	Type DG Seal Seat SC	SP114G-80-1-1-SC	SP216G-80-1-1-SC	SP328G-80-1-1-SC	SP328G-80-1-1-SC	4410G-80-1-1-SC
80P	Gasket Outboard PTFE	SP114G-80-1-2-G	SP216G-80-1-2-G	SP328G-80-1-2-G	SP328G-80-1-2-G	4410G-80-1-2-G
80R	Gasket Inboard PTFE	SP114G-80-1-2A-G	SP216G-80-1-2A-G	SP328G-80-1-2A-G	SP328G-80-1-2A-G	4410G-80-1-2A-G
83C	Stuffing Box (E Balanced)	114E-83B-316	216E-83B-316	328E-83B-316	328E-83B-316	4410E-83B-316
83D	Machine Screw	SC904E-SS	SC1106E-SS	SC1308E-SS	SC1308E-SS	SC1308E-SS
83E	O-ring	17-275-U	17-122-U	17-153-U	17-153-U	17-153-U
90	Casing Gasket	S114-90A-U	S216-90A-U	S328-90A-U	S328-90A-U	SP5410-90A-U
127	Water Cascade Assembly	114D-127-01	216D-127-01	328D-127-01	328D-127-01	328D-127-01
127A	Locknut	114D-127-02	114D-127-02	114D-127-02	114D-127-02	114D-127-02
133	Washer (Impeller)	SP114-133-316	SP216-133-316	SP328-133-316	SP328-133-316	SP328-133-316

PARTS LIST

VARIABLE REPLACEMENT PARTS

Model C114

Key No.	Description	56C NEMA Frames	180TC NEMA Frames	140TC NEMA Frames
		Part Number	Part Number	Part Number
6A	Set Screw (shaft)	SC1305A-SS	SC1303A-SS	SC1303A-SS
6D	Shaft-Threaded	C114E56TT-06-316L	C114E18TT-06-316L	C114E14TT-06-316L
6E	Shaft-Standard	C114E56T-06-316L	C114E-18T-06-316L	C114E14T-06-316L
40	Deflector	US114D66-40-U	114D18T-40	US114D66-40-U
71	Adapter	114E56T-71C-C	114E-18T-71C-C	114E56T-71C-C
71B	Adapter Mounting Screw	SC1512H-SS	SC1710H-SS	SC1510H-SS
131	Seal Guard Assembly	C114-56T-131A-S	C114-18T-131A-S	C114-56T-131A-S
207	Adjustable Leg	114D-207-CS	114D-207-CS	114D-207-CS
209	Adjustable Leg Bracket	114D56T-209A-CS	114D184T-209A-CS	114D145T-209-CS
209A	Set Screw (Square Head)	SC1106C4-SS	SC1107C4-SS	SC1106C4-SS
209B	Bracket Mounting Screw	SC1307H-SS	SC1510H-SS	SC1307H-SS
209C	Washer	WA1300-SS	WA1500-SS	WA1300-SS

Model C216

Key No.	Description	56C NEMA Frames	180TC NEMA Frames	210TC NEMA Frames	250TC NEMA Frames	140TC NEMA Frames
		Part Number	Part Number	Part Number	Part Number	Part Number
6A	Set Screw (shaft)	SC1505A-SS	SC1303A-SS	SC1504A-SS	SC1504A-SS	SC1504A-SS
6D	Shaft-Threaded	216E56TT-06A-316L	216E18TT-06A-316L	C216E21TT-06-316L	C216E25TT-06-316L	216E-14TT-06A-316L
6E	Shaft-Standard	CS216E56T-06-316L	CS216E-18T-06-316L	C216E21T-06-316L	C216E25T-06-316L	CS216E14T-06-316L
40	Deflector	216D21-40	216D21-40	216D21T-40-U	328D28-40	216D21-40
71	Adapter	216D56T-71D-C	216D18T-71D-C	216E21T-71D-C	216E25T-71D-C	216D56T-71D-C
71B	Adapter Mounting Screw	SC1510H-S	SC1710H-SS	SC1710H-SS	SC1710H-S	SC1510H-S
131	Seal Guard Assembly	C216-56T-131-S	C216-18T-131-S	C216-21T-131B-S	C216-21T-131B-S	C216-56T-131-S
207	Adjustable Leg	114D-207-CS	114D-207-CS	114D-207-CS	216D-207-CS	114D-207-CS
209	Adjustable Leg Bracket	114D56T-209A-CS	114D184T-209A-CS	216D215T-209A-CS	216D256T-209A-CS	114D145T-209-CS
209A	Set Screw (Square Head)	SC1106C4-SS	SC1107C4-SS	SC1107C4-SS	SC1107C4-SS	SC1106C4-SS
209B	Bracket Mounting Screw	SC1307H-SS	SC1512H-SS	SC1512H-SS	SC1714H-SS	SC1307H-SS
209C	Washer	WA1300-SS	WA1500-SS	WA1500-SS	WA1500-SS	WA1300-SS

PARTS LIST

VARIABLE REPLACEMENT PARTS (CONT.)

Model C218 and C328

Key No.	Description	180TC NEMA	210TC NEMA	250TC NEMA	280TC NEMA	140TC NEMA	320TC NEMA
		Frames	Frames	Frames	Frames	Frames	Frames
		Part Number	Part Number	Part Number	Part Number	Part Number	Part Number
6A	Set Screw (shaft)	SC1506A-SS	SC1506A-SS	SC1506A-SS	SC1506A-SS	SC1506A-SS	SC1506A-SS
6D	Shaft-Threaded	328E18TT-06A-316L	328E21TT-06A-316L	328E25TT-06A-316L	C328E28TT-06-316L	328E-14TT-06A-316L	C328E32TT-06-316
6E	Shaft-Standard	CS328E18T-06-316L	CS328E21T-06-316L	CS328E25T-06-316L	C328E28T-06-316L	3286E14T-06B-316L	C328E32T-06-316L
40	Deflector	328D18-40-U	328D28-40-U	328D28-40-U	328D28T-40-U	328D18-40-U	328D32T-40-U
71	Adapter	328D18T-71C-C	328D21T-71C-C	328D25T-71C-C	328D28T-71C-C	328D14T-71C-C	328E32T-71B-C
71B	Adapter Mounting Screw	SC1710H-SS	SC1710H-SS	SC1710H-SS	SC1710H-SS	SC1510H-S	SC1910H-SS
131	Seal Guard Assembly	C328-18T-131-S	C328-21T-131-S	C328-25T-131-S	C328-28T-131-S	C328-14T-131-S	C328-28T-131-S
207	Adjustable Leg	114D-207-CS	114D-207-CS	216D-207-CS	216D-207-CS	114D-207-CS	--
209	Adjustable Leg Bracket	114D184T-209A-CS	216D215T-209A-CS	216D256T-209A-CS	216D286T-209A-CS	114D145T-209-CS	--
209A	Set Screw (Square Head)	SC1107C4-SS	SC1107C4-SS	SC1107C4-SS	SC1107C4-SS	SC1107C4-SS	SC1107C4-SS
209B	Bracket Mounting Screw	SC1512H-SS	SC1512H-SS	SC1714H-SS	SC1714H-SS	SC1307H-SS	--
209C	Washer	WA1500-SS	WA1500-SS	WA1700-SS	WA1500-SS	WA1300-SS	--

Model C4410

Key No.	Description	210TC NEMA	250TC NEMA	280TC NEMA	320TC NEMA	360TC NEMA
		Frames	Frames	Frames	Frames	Frames
		Part Number	Part Number	Part Number	Part Number	Part Number
6A	Set Screw (shaft)	SC1507A2-SS	SC1507A2-SS	SC1507A2-SS	SC1507A2-SS	SC1507A2-SS
6D	Shaft-Threaded	4410E21TT-06A-316L	4410E25TT-06A-316L	4410E28TT-06A-316L	4410E32TT-06A-316L	4410E36TT-06A-316L
6E	Shaft-Standard	4410E21T-06A-316L	4410E25T-06A-316L	4410E28T-06A-316L	4410E32T-06A-316L	4410E36T-06A-316L
40	Shaft Seal Seal	4410D28T-40A	4410D28T-40A	4410D28T-40A	4410D36T-40A	4410D36T-40A
71	Adapter	4410D25T-71-C	4410D25T-71-C	4410D28T-71	4410D32T-71	4410D32T-71
71B	Adapter Mounting Screw	SC1712H-S	SC1712H-S	SC1712H-S	SC1914H-SS	SC1914H-SS
131	Seal Guard Assembly	4410D25T-131A-S	4410D25T-131A-S	4410D28T-131A-S	4410D32T-131A-S	4410D32T-131A-S

PARTS LIST

C-SERIES CLOSE COUPLED PUMP

Key No.	Description	C114	C216	C218	C328	C4410
		Part Number	Part Number	Part Number	Part Number	Part Number
1	Casing (Tri-Clamp) Sanitary	S114M-01C-316L	S216M-01C-316L	S218M-01D-316L	S328M-01C-316L	SP4410M-01A-316L
1	Casing (Bevel Seat) Sanitary	S114T-01C-316L	S216T-01C-316L	S218T-01D-316L	S328T-01C-316	SP4410T-01A-316
1	Casing (N.P.T.) Glass Beaded	S114S-01C-316L	S216S-01C-316L	S218S-01D-316L	S328S-01C-316	SP4410S-01A-316
1	Casing (Tri-Clamp) Glass Beaded	S114MI-01C-316L	S216MI-01C-316	S218MI-01D-316	S328MI-01C-316	SP4410MI-01A-316
1	Casing (Bevel Seat) Glass Beaded	S114TI-01C-316L	S216TI-01C-316	S218TI-01D-316	S328TI-01C-316	SP4410TI-01A-316
1	Casing (Flanged) Glass Beaded	S114F-01D-316L	S216F-01D-316L	S218F-01E-316L	S328F-01D-316L	SP4410F-01B-316
2	Impeller	S114-02C-316L	S216-02C-316L	S218-02C-316L	S328-02C-316	SP5410-02A-316
11	Backplate	114D-11-316	216D-11-316	328D-11-316	328D-11-316	4410D-11-316
11B	Backplate (E Balanced)	114E-11B-316	216E-11B-316	328E-11B-316	328E-11B-316	4410E-11-316
11F	Backplate Pin	216D-11-1-S	216D-11-1-S	216D-11-1-S	216D-11-1-S	SC1108D-M
11H	Backplate (DG Seat)	SP114G-11-316L	SP216G-11-316L	SP328G-11-316	SP328G-11-316	4410G-11-316
17	Follower	114E-17A-316	216E-17A-316	328E-17-316	328E-17-316	4410E-17-316
17A	Machine Screw	SC1106E-SS	SC1308H-SS	SC1308H-SS	SC1308H-SS	SC1308H-SS
17B	O-ring	17-106-U-25**	17-275-U	17-274-U	17-274-U	17-108-U-25**
17C	Lockwasher (DG Seat)	---	LWA1300-SS	LWA1300-SS	LWA1300-SS	LWA1300-SS
17J	Gland Ring (DG Seat)	SP114G-17-316L	SP216G-17-316L	SP328G-17-316L	SP328G-17-316L	4410-G-17-316L
17K	Bolt / Screw (DG Seat)	SC1110H-SS	SC1310H-SS	SC1311H-SS	SC1311H-SS	SC1311H-SS
17M	Lockwasher	LWA-1100-SS	LWA-1300-SS	LWA-1300-SS	LWA-1300-SS	LWA-1300-SS
24	Impeller Retainer	114D-24B-316L	216D-24B-316L	328D-24B-316L	328D-24B-316L	328D-24C-U
24A	Castellated Nut (Impeller)	SP114F-24-316	SP216F-24-316L	SP328F-24-316	SP328F-24-316	SP328F-24-316
24B	Cotter Pin (Impeller)	16-113-1/8X1-316	16-113-1/8X1-316	16-113-1/8X1 1/2-316	16-113-1/8X2-316	16-113-1/8X2-316
71A	Adapter Pin	216D-71A-1-S	216D-71A-1-S	216D-71A-1-S	216D-71A-1-S	SP5410-11A-1-S
75	Clamp Assembly Complete	S114-75AR-S	S216-75AR-S	S328-75AR-S	S328-75AR-S	SP4410-75D-S
75J	Eye Bolt	S114-75A-04-S	S114-75A-04-S	S114-75A-04-S	S114-75A-04-S	---
75K	Wing Nut	13MHHS-1 1/2-03-S	13MHHS-1 1/2-03-S	13MHHS-1 1/2-03-S	13MHHS-1 1/2-03-S	---
80	Carbon Seal	114E-80-1A	216E-80-1A	328E-80-1A	328E-80-1A	4410E-80-1
80A	Cup	114D-80-3P	216D-80-3P	328D-80-3P	328D-80-3P	4410D-80-3
80B	O-ring (Seal)	60C-3-34A-U	01-1165-19-U	S328-80-2-U	S328-80-2-U	17-15-U
80C	Spring	114D-80-4	216D-80-4	328D-80-4	328D-80-4	4410D-80-4
80G	Cup (E Balanced)	114E-80-3P	216E-80-3P	328E-80-3P	328E-80-3P	4410E-80-3
80H	Spring (E Balanced)	114E-80-4A	216E-80-4A	328E-80-4A	328E-80-4A	4410E-80-4

PARTS LIST

C-SERIES CLOSE COUPLED PUMP (CONT.)

		C114	C216	C218	C328	C4410
Key No.	Description	Part Number	Part Number	Part Number	Part Number	Part Number
80J	Drive Collar (E Balanced)	114E-23-316L	216E-23-316L	328E-23-316L	328E-23-316L	4410E-23-316
80K	Set Screw (E Balanced)	SC903A-SS	SC1103A-SS	SC1103A-SS	SC1103A-SS	SC1103A-SS
80L	Drive Collar	SP114D-23P-316L	SP216D-23P-S	SP328D-23P-S	SP328D-23P-S	4EHD-143-23P-S
80M	Set Screw	SC905A-SS	SC1105A-SS	SC1105A-SS	SC1105A-SS	SC1105A-SS
80N	Type DG Seal Seat TC	SP114G-80-1-1-TC	SP216G-80-1-1-TC	SP328G-80-1-1-TC	SP328G-80-1-1-TC	4410G-80-1-1-TC
Specify Material	Type DG Seal Seat Ceramic	SP114G-80-1-1-CER	SP216G-80-1-1-CER	SP328G-80-1-1-CER	SP328G-80-1-1-CER	4410G-80-1-1-CER
	Type DG Seal Seat SC	SP114G-80-1-1-SC	SP216G-80-1-1-SC	SP328G-80-1-1-SC	SP328G-80-1-1-SC	4410G-80-1-1-SC
80P	Gasket Outboard PTFE	SP114G-80-1-2-G	SP216G-80-1-2-G	SP328G-80-1-2-G	SP328G-80-1-2-G	4410G-80-1-2-G
80R	Gasket Inboard PTFE	SP114G-80-1-2A-G	SP216G-80-1-2A-G	SP328G-80-1-2A-G	SP328G-80-1-2A-G	4410G-80-1-2A-G
83C	Stuffing Box (E Balanced)	114E-83B-316	216E-83B-316	328E-83B-316	328E-83B-316	4410-E-83B-316
83D	Machine Screw	SC904E-SS	SC1106E-SS	SC1308E-SS	SC1308E-SS	SC1308E-SS
83E	O-ring	17-275-U	17-122-U	17-153-U	17-153-U	17-153-U
90	Casing Gasket	S114-90A-U	S216-90A-U	S328-90A-U	S328-90A-U	SP5410-90A-U
127	Water Cascade Assembly	114D-127-01	216D-127-01	328D-127-01	328D-127-01	328D-127-01
127A	Locknut	114D-127-02	114D-127-02	114D-127-02	114D-127-02	114D-127-02
133	Washer (Impeller)	SP114-133-316	SP216-133-316	SP328-133-316	SP328-133-316	SP328-133-316

PARTS LIST

VARIABLE REPLACEMENT PARTS

Model C114

Key No.	Description	56C NEMA Frames	180TC NEMA Frames	140TC NEMA Frames
		Part Number	Part Number	Part Number
6A	Set Screw (shaft)	SC1305A-SS	SC1303A-SS	SC1303A-SS
6D	Shaft-Threaded	C114E56TT-06-316L	C114E18TT-06-316L	C114E14TT-06-316L
6E	Shaft-Standard	C114E56T-06-316L	C114E-18T-06-316L	C114E14T-06-316L
40	Deflector	US114D66-40-U	114D18T-40	US114D66-40-U
71	Adapter	114E56T-71C-C	114E-18T-71C-C	114E56T-71C-C
71B	Adapter Mounting Screw	SC1512H-SS	SC1710H-SS	SC1510H-SS
131	Seal Guard Assembly	C114-56T-131A-S	C114-18T-131A-S	C114-56T-131A-S
207	Adjustable Leg	114D-207-CS	114D-207-CS	114D-207-CS
209	Adjustable Leg Bracket	114D56T-209A-CS	114D184T-209A-CS	114D145T-209-CS
209A	Set Screw (Square Head)	SC1106C4-SS	SC1107C4-SS	SC1106C4-SS
209B	Bracket Mounting Screw	SC1307H-SS	SC1510H-SS	SC1307H-SS
209C	Washer	WA1300-SS	WA1500-SS	WA1300-SS

Model C216

Key No.	Description	56C NEMA Frames	180TC NEMA Frames	210TC NEMA Frames	250TC NEMA Frames	140TC NEMA Frames
		Part Number	Part Number	Part Number	Part Number	Part Number
6A	Set Screw (shaft)	SC1505A-SS	SC1303A-SS	SC1504A-SS	SC1504A-SS	SC1504A-SS
6D	Shaft-Threaded	216E56TT-06A-316L	216E18TT-06A-316L	C216E21TT-06-316L	C216E25TT-06-316L	216E-14TT-06A-316L
6E	Shaft-Standard	CS216E56T-06-316L	CS216E-18T-06-316L	C216E21T-06-316L	C216E25T-06-316L	CS216E14T-06-316L
40	Deflector	216D21-40	216D21-40	216D21T-40-U	328D28-40	216D21-40
71	Adapter	216D56T-71D-C	216D18T-71D-C	216E21T-71D-C	216E25T-71D-C	216D56T-71D-C
71B	Adapter Mounting Screw	SC1510H-S	SC1710H-SS	SC1710H-SS	SC1710H-S	SC1510H-S
131	Seal Guard Assembly	C216-56T-131-S	C216-18T-131-S	C216-21T-131B-S	C216-21T-131B-S	C216-56T-131-S
207	Adjustable Leg	114D-207-CS	114D-207-CS	114D-207-CS	216D-207-CS	114D-207-CS
209	Adjustable Leg Bracket	114D56T-209A-CS	114D184T-209A-CS	216D215T-209A-CS	216D256T-209A-CS	114D145T-209-CS
209A	Set Screw (Square Head)	SC1106C4-SS	SC1107C4-SS	SC1107C4-SS	SC1107C4-SS	SC1106C4-SS
209B	Bracket Mounting Screw	SC1307H-SS	SC1512H-SS	SC1512H-SS	SC1714H-SS	SC1307H-SS
209C	Washer	WA1300-SS	WA1500-SS	WA1500-SS	WA1500-SS	WA1300-SS

PARTS LIST

VARIABLE REPLACEMENT PARTS (CONT.)

Model C218 and C328

Key No.	Description	180TC NEMA	210TC NEMA	250TC NEMA	280TC NEMA	140TC NEMA	320TC NEMA
		Frames	Frames	Frames	Frames	Frames	Frames
		Part Number	Part Number	Part Number	Part Number	Part Number	Part Number
6A	Set Screw (shaft)	SC1506A-SS	SC1506A-SS	SC1506A-SS	SC1506A-SS	SC1506A-SS	SC1506A-SS
6D	Shaft-Threaded	328E18TT-06A-316L	328E21TT-06A-316L	328E25TT-06A-316L	C328E28TT-06-316L	328E-14TT-06A-316L	C328E32TT-06-316
6E	Shaft-Standard	CS328E18T-06-316L	CS328E21T-06-316L	CS328E25T-06-316L	C328E28T-06-316L	328E14T-06B-316L	C328E32T-06-316L
40	Deflector	328D18-40-U	328D28-40-U	328D28-40-U	328D28T-40-U	328D18-40-U	328D32T-40-U
71	Adapter	328D18T-71C-C	328D21T-71C-C	328D25T-71C-C	328D28T-71C-C	328D14T-71C-C	328E32T-71B-C
71B	Adapter Mounting Screw	SC1710H-SS	SC1710H-SS	SC1710H-SS	SC1710H-SS	SC1510H-S	SC1910H-SS
131	Seal Guard Assembly	C328-18T-131-S	C328-21T-131-S	C328-25T-131-S	C328-28T-131-S	C328-14T-131-S	C328-28T-131-S
207	Adjustable Leg	114D-207-CS	114D-207-CS	216D-207-CS	216D-207-CS	114D-207-CS	--
209	Adjustable Leg Bracket	114D184T-209A-CS	216D215T-209A-CS	216D256T-209A-CS	216D286T-209A-CS	114D145T-209-CS	--
209A	Set Screw (Square Head)	SC1107C4-SS	SC1107C4-SS	SC1107C4-SS	SC1107C4-SS	SC1107C4-SS	SC1107C4-SS
209B	Bracket Mounting Screw	SC1512H-SS	SC1512H-SS	SC1714H-SS	SC1714H-SS	SC1307H-SS	--
209C	Washer	WA1500-SS	WA1500-SS	WA1700-SS	WA1500-SS	WA1300-SS	--

Model C4410

Key No.	Description	210TC NEMA	250TC NEMA	280TC NEMA	320TC NEMA	360TC NEMA
		Frames	Frames	Frames	Frames	Frames
		Part Number	Part Number	Part Number	Part Number	Part Number
6A	Set Screw (shaft)	SC1507A2-SS	SC1507A2-SS	SC1507A2-SS	SC1507A2-SS	SC1507A2-SS
6D	Shaft-Threaded	4410E21TT-06A-316L	4410E25TT-06A-316L	4410E28TT-06A-316L	4410E32TT-06A-316L	4410E36TT-06A-316L
6E	Shaft-Standard	4410E21T-06A-316L	4410E25T-06A-316L	4410E28T-06A-316L	4410E32T-06A-316L	4410E36T-06A-316L
40	Shaft Seal Seal	4410D28T-40A	4410D28T-40A	4410D28T-40A	4410D36T-40A	4410D36T-40A
71	Adapter	4410D25T-71-C	4410D25T-71-C	4410D28T-71	4410D32T-71	4410D32T-71
71B	Adapter Mounting Screw	SC1712H-S	SC1712H-S	SC1712H-S	SC1914H-SS	SC1914H-SS
131	Seal Guard Assembly	4410D25T-131A-S	4410D25T-131A-S	4410D28T-131A-S	4410D32T-131A-S	4410D32T-131A-S