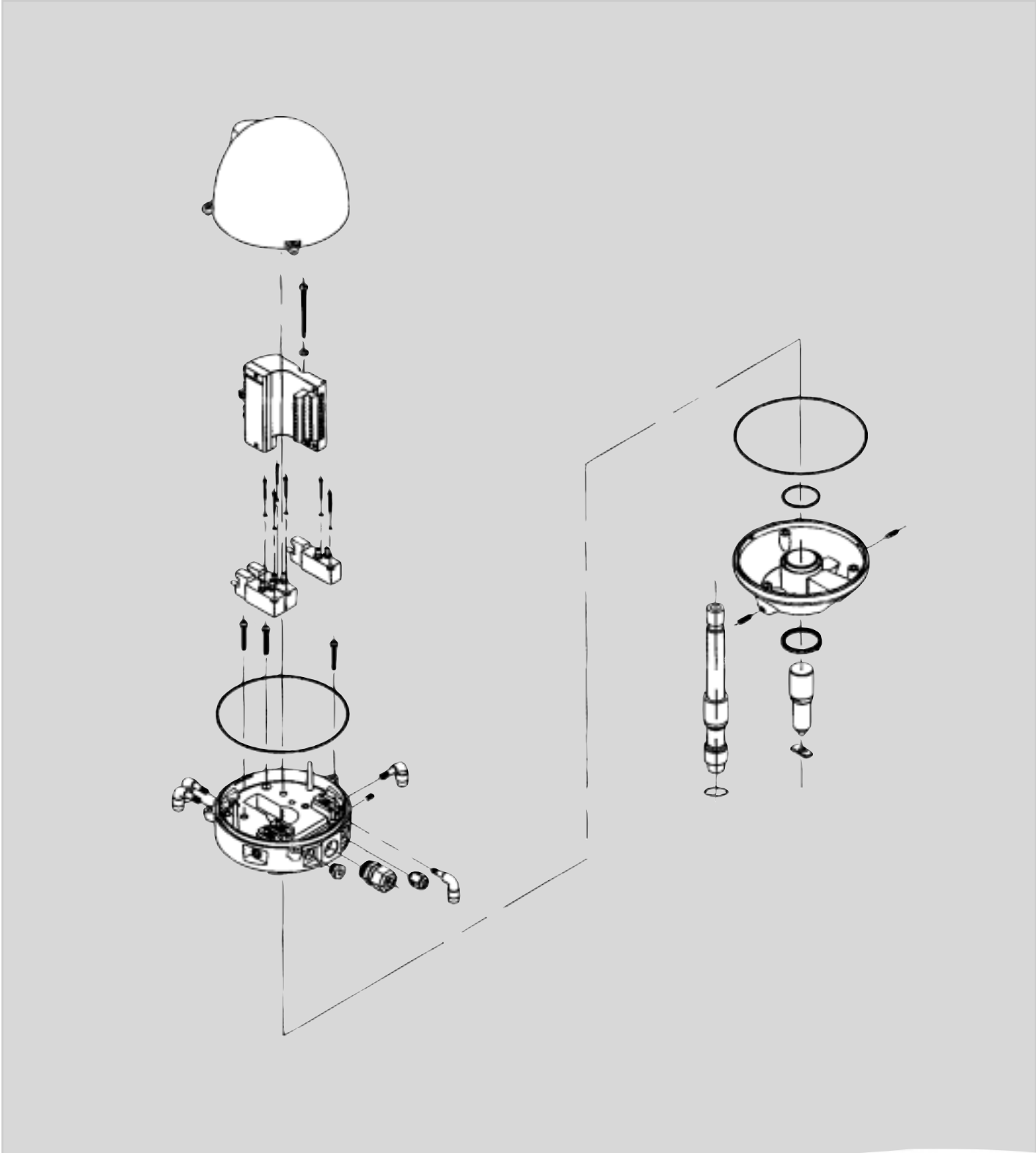
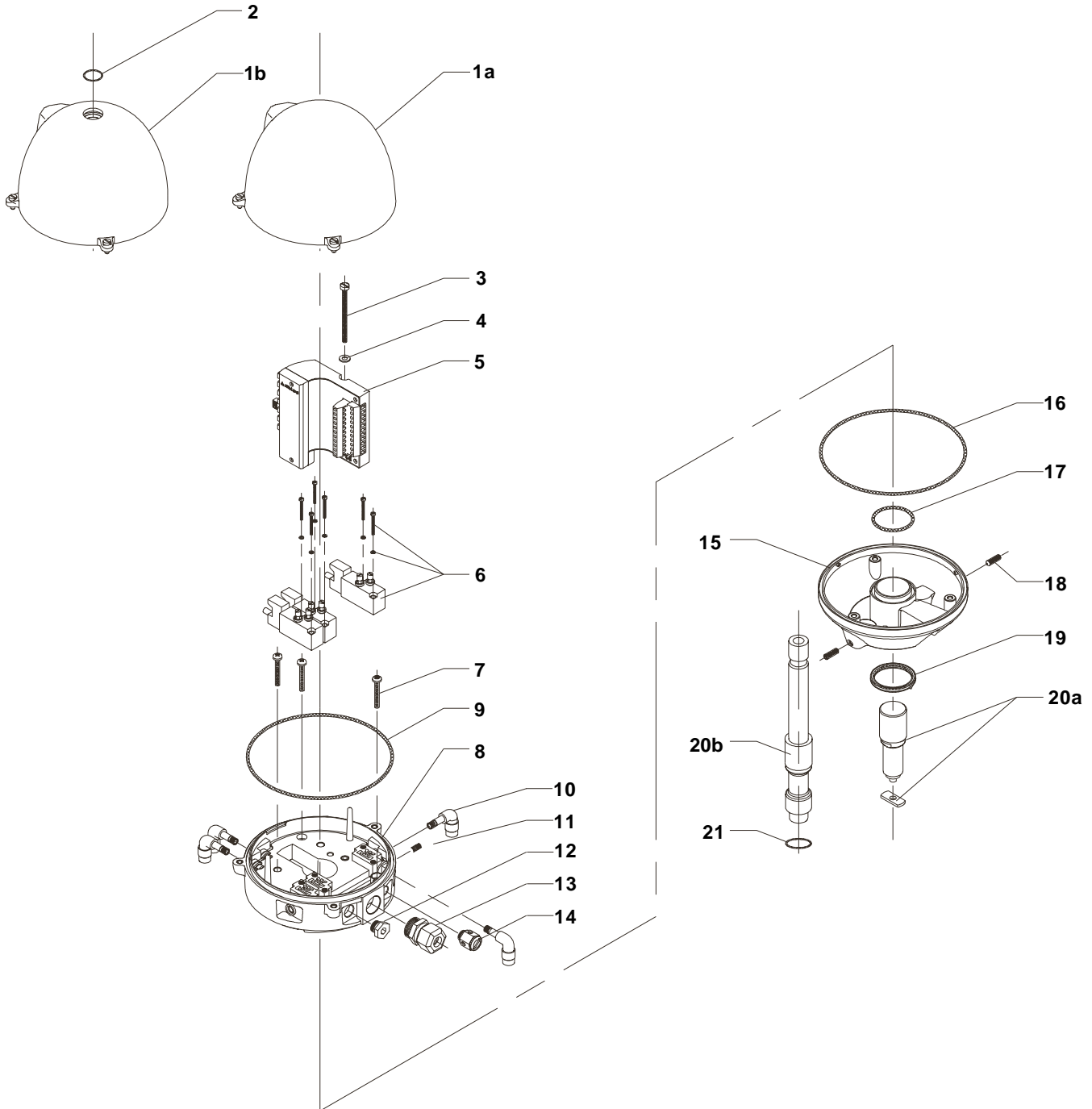


Spare Parts List

ThinkTop® Control and Indication Unit





Pos.	Qty.	Description	SRC, SRC-LS ARC, SMP-BC SMP-SC Spillage-free SMP-TO LKB (LKLA-T) Koltek MH			Ø6 mm Air Connection	1/4" Air Connection
			SMP-EC				
1a	1	Shell complete	9612-5616-01	N/A	N/A	N/A	N/A
1b	1	Shell complete	N/A	9612-5616-02	N/A	N/A	N/A
2	1	O-ring, NBR	N/A	9611-99-2129	N/A	N/A	N/A
3	1	Screw	9611-99-3458	9611-99-3458	N/A	N/A	N/A
4	1	Washer	9611-99-3459	9611-99-3459	N/A	N/A	N/A
5	1	Sensor unit Digital 8-30 VDC PNP/NPN	9612-5627-01	9612-5627-01	N/A	N/A	N/A
6	1-3	Solenoid valve 3/2, 24 VDC	9611-99-3324	9611-99-3324	N/A	N/A	N/A
	1-3	Solenoid valve 3/2, 24 VAC	9611-99-3325	9611-99-3325	N/A	N/A	N/A
	1-3	Solenoid valve 3/2, 110 VAC	9611-99-3326	9611-99-3326	N/A	N/A	N/A
	1	Solenoid valve 5/2, 24 VDC	9611-99-3327	9611-99-3327	N/A	N/A	N/A
	1	Solenoid valve 5/2, 24 VAC	9611-99-3328	9611-99-3328	N/A	N/A	N/A
	1	Solenoid valve 5/2, 110 VAC	9611-99-3329	9611-99-3329	N/A	N/A	N/A
7	3	PT screw	9611-99-3457	9611-99-3457	N/A	N/A	N/A
8*	1	Base complete, no solenoids	N/A	N/A	9612-5619-01	9612-5762-01	
	1	Base complete, 3/2 24 VDC, one solenoid	N/A	N/A	9612-5619-02	9612-5762-02	
	1	Base complete, 3/2 24 VDC, two solenoids	N/A	9612-5619-08	9612-5762-08	N/A	
	1	Base complete, 3/2 24 VDC, three solenoids	N/A	N/A	9612-5619-11	9612-5762-11	
	1	Base complete, 5/2 24 VDC, one solenoid	N/A	N/A	9612-5619-03	9612-5762-03	
	1	Base complete, 3/2 24 VAC, one solenoid	N/A	N/A	9612-5619-04	9612-5762-04	
	1	Base complete, 3/2 24 VAC, two solenoids	N/A	N/A	9612-5619-09	9612-5762-09	
	1	Base complete, 3/2 24 VAC, three solenoids	N/A	N/A	9612-5619-12	9612-5762-12	
	1	Base complete, 5/2 24 VAC, one solenoid	N/A	N/A	9612-5619-05	9612-5762-05	
	1	Base complete, 3/2 110 VAC, one solenoid	N/A	N/A	9612-5619-06	9612-5762-06	
	1	Base complete, 3/2 110 VAC, two solenoids	N/A	N/A	9612-5619-10	9612-5762-10	
	1	Base complete, 3/2 110 VAC, three solenoids	N/A	N/A	9612-5619-13	9612-5762-13	
	1	Base complete, 5/2 110 VAC, one solenoid	N/A	N/A	9612-5619-07	9612-5762-07	
	1	Base prepared for no solenoids	N/A	N/A	9612-5620-01	9612-5761-01	
	1	Base prepared for one 3/2 port solenoid	N/A	N/A	9612-5620-02	9612-5761-02	
	1	Base prepared for two 3/2 port solenoids	N/A	N/A	9612-5620-04	9612-5761-04	
	1	Base prepared for three 3/2 port solenoids	N/A	N/A	9612-5620-05	9612-5761-05	
	1	Base prepared for one 5/2 port solenoid	N/A	N/A	9612-5620-03	9612-5761-03	
9	1	O-ring, NBR	9611-99-3349	9611-99-3349	N/A	N/A	N/A
10	1	Air fitting	N/A	N/A	9611-99-3405	9611-99-3433	
11	1	Blow-off valve	9612-5636-01	9612-5636-01	N/A	N/A	N/A
12	1	Thread plug, PG7	9611-99-3407	9611-99-3407	N/A	N/A	N/A
13	1	Cable gland, PG11 .15-.39" (4-10 mm)	9611-99-3517	9611-99-3517	N/A	N/A	N/A
14	1	Pressure control valve, 1/8"	9611-99-2928	9611-99-2928	N/A	N/A	N/A
15	1	Adapter complete (pos. 17,18,19 included)	9612-5621-01	9612-5621-01	N/A	N/A	N/A
	1	Adapter, cast	9612-5552-01	9612-5552-01	N/A	N/A	N/A
16	1	O-ring	9611-99-3349	9611-99-3349	N/A	N/A	N/A
17	1	O-ring	9611-99-3350	9611-99-3350	N/A	N/A	N/A
18	2	Allen screw	9611-99-3409	9611-99-3409	N/A	N/A	N/A
19	1	Special X-ring	9612-5696-01	9612-5696-01	N/A	N/A	N/A
20a	1	Indication pin complete	9612-5623-01	9612-5623-01	N/A	N/A	N/A
20b	1	Indication pin complete	N/A	9612-5625-01	N/A	N/A	N/A
21	1	O-ring, EPDM	N/A	223403-80	N/A	N/A	N/A

* Pos. 9 - 14 included

Alfa Laval

Alfa Laval
8201 104th Street
Pleasant Prairie, WI 53158-0909
Telephone: 800-558-2060
Fax: 262-947-4724
www.us.flow.alfalaval.com