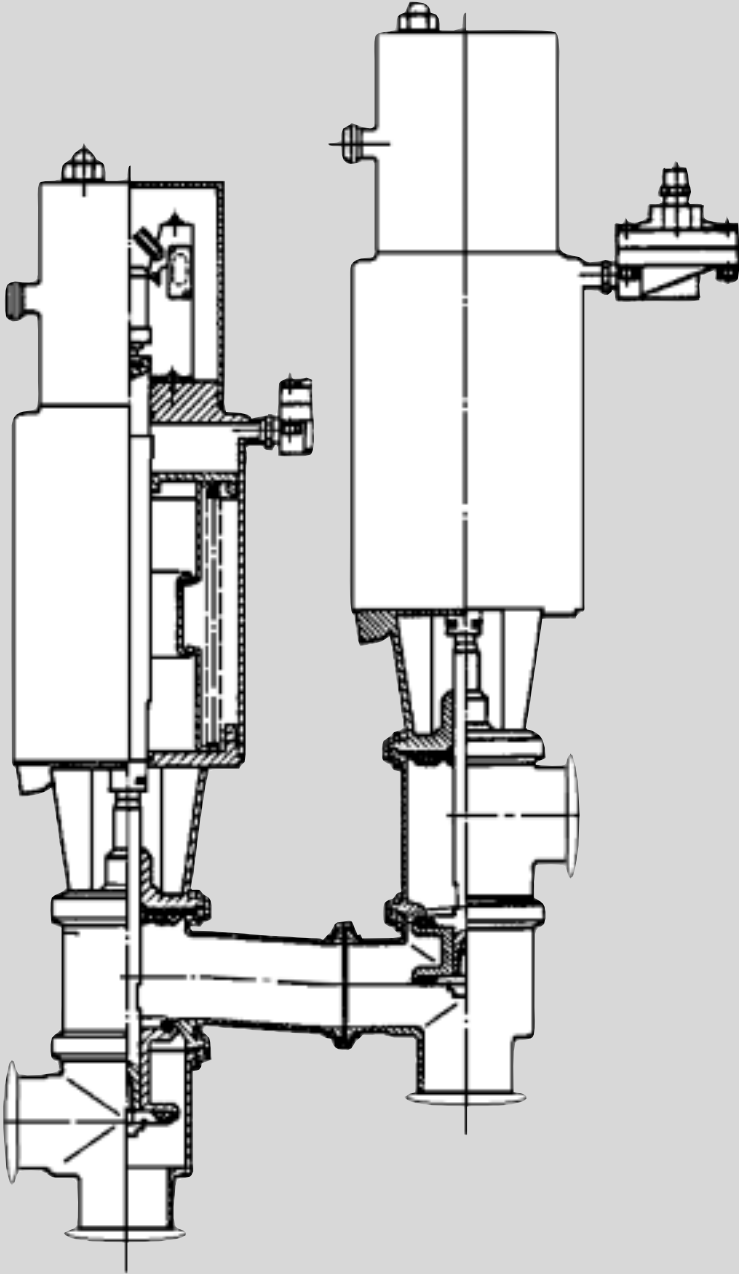
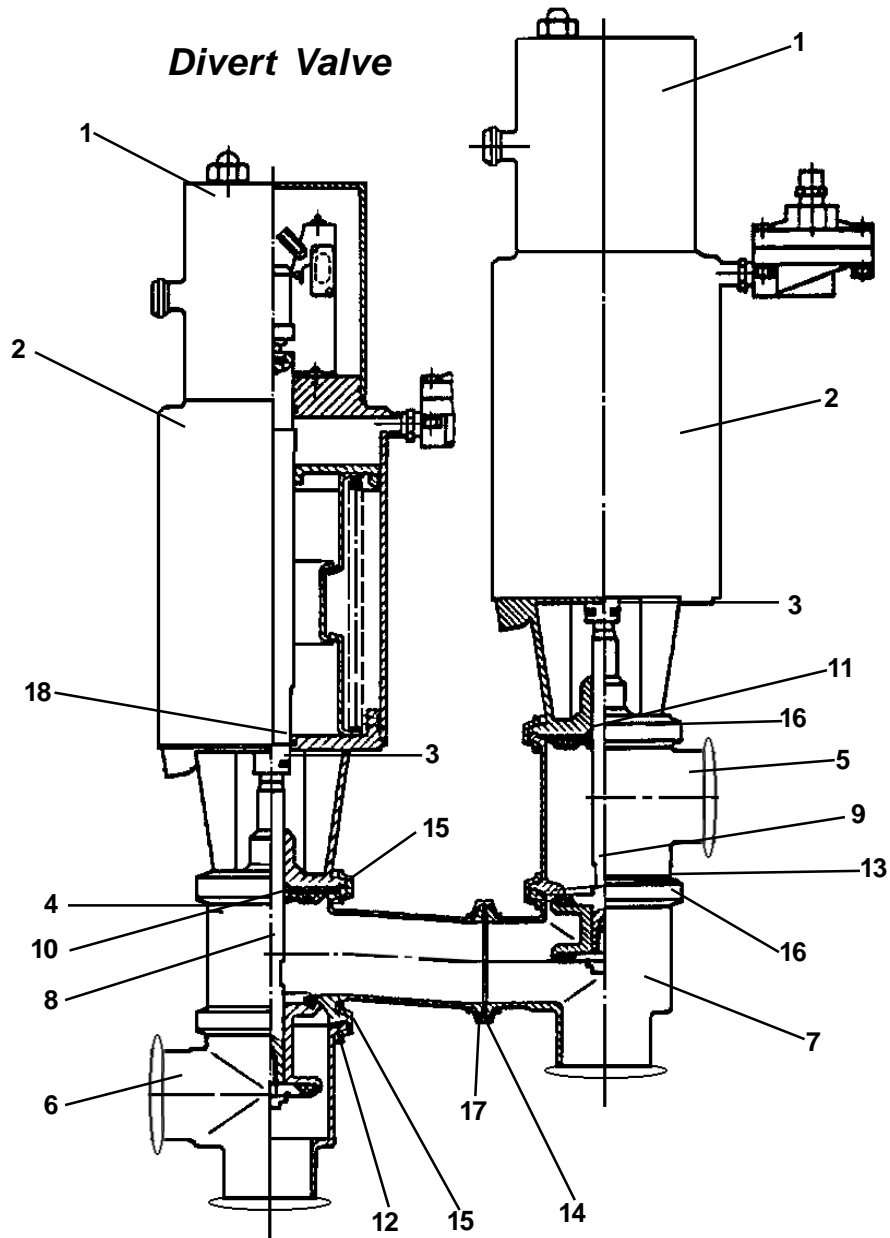


Spare Parts List

SRC-FDV Flow Diversion Seat Valve



Leak Detect Valve

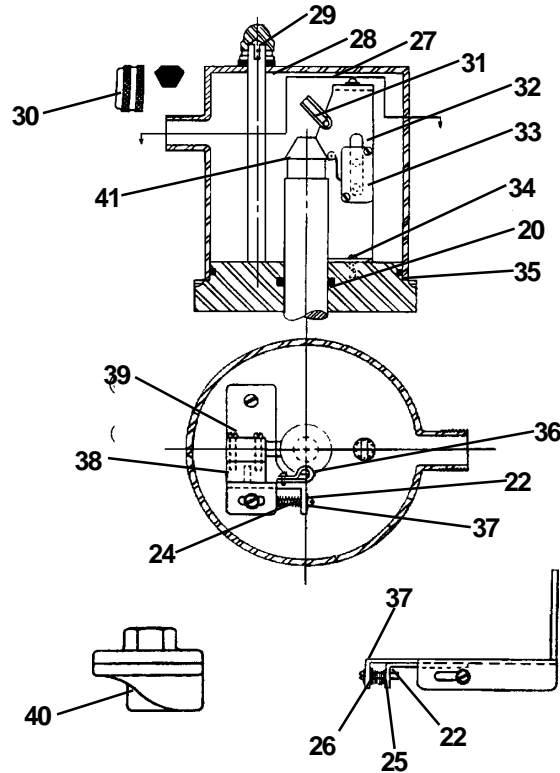


Flow Diversion Valve Less Panel SRC-FDV

Pos.	Qty.	Description	2-inch Part No.	2.5-inch Part No.	3-inch Part No.
	1	SRC-FDV Valve	9612100002	9612105002	9612110002
1	2	Indication unit	884-26203	884-26203	884-26203
2	2	Flow diversion valve, actuator	884-39015	884-36032	884-39116
3	2	Clip assembly	31353-0793-2	31353-0793-2	31353-0793-2
4	1	Flow diversion valve, divert, upper body	884-39014	884-39109	884-39116
5	1	Flow diversion valve, leak detect, upper body	31353-1032-2	31353-1032-3	31353-1033-4
6	1	Flow diversion valve, divert, lower body	31353-1030-2	31353-1030-3	31353-1030-4
7	1	Flow diversion valve, leak detect, lower body	31353-1030-2	882-39111	31353-1030-4
8	1	Flow diversion valve leak detect, plug + stem, complete	9612-10-5501	9612-10-5502	9612-10-5503
	aΔ	Divert flow diversion valve plug and Stem elastomers, upper	9611-99-1479	9611-99-1480	9611-99-1480
	bΔ	Divert flow diversion valve plug and Stem elastomers, lower	31353-0321-1	31353-0322-1	31353-0324-1
	cΔ	Stem o-ring, EPDM (standard)	99003401	99003401	99003401
		Stem o-ring, FPM	22340435	22340435	22340435
9	1	Flow diversion valve divert, plug + stem, complete	31353-0336-1	31353-0337-1	31353-0338-1
	aΔ	Leak detect flow diversion valve plug and Stem, upper	31353-0321-1	31353-0323-1	31353-0324-1
	bΔ	Leak detect flow diversion valve plug and Stem, upper	31353-0321-1	31353-0322-1	31353-0324-1
	cΔ	Stem o-ring, EPDM (standard)	99003401	99003401	99003401
		Stem o-ring, FPM	22340435	22340435	22340435
10Δ	1	Lip seal	31353-0155-1	31353-0188-1	31353-0188-1
11Δ	1	Lip seal	31353-0155-1	31353-0155-1	31353-0188-1
12Δ	1	Body packing, divert	31353-0128-1	31353-0205-1	31353-0205-1
13Δ	1	Body packing, leak detect	31353-0128-1	31353-0128-1	31353-0205-1
14Δ	1	GC40E, gasket	881-21347	881-21348	881-21349
15	2	Heavy duty clamp	9612-01-1204	9612-01-1205	9612-01-1205
16	2	Heavy duty clamp	9612-01-1204	9612-01-1204	9612-01-1205
17	1	Heavy duty clamp	9612-01-1202	9612-01-1203	9612-01-1204
18Δ	2	O-ring for actuator stem	22340649	22340649	22340649
Δ	1	Service kit, EPDM	270072	270073	270074
Δ	1	Service kit, FPM	884-31499	884-31500	884-42561

Parts marked with Δ are included in the valve service kits.

1	Service kit actuator - need two each	9611-92-0009	9611-92-0009	9611-92-0009
---	--	--------------	--------------	--------------



Pos.	Qty.	Description	Part No.
		Microswitch indicating assembly (Quantity of two required per valve)	884-26203
20	2	Actuating stem o-ring	223-40649
22	2	Adjustment screw	881-15036
24	1	Horizontal adjustment spring	881-13471
25	1	Adjustment bracket	881-13473
26	1	Vertical adjustment spring	881-13470
27	1	Cover assembly	881-13464
28	1	Teflon washer	881-13479
29	1	Drilled cap nut	881-13478
30	1	Sealing grip	881-16977
31	3	Cable clip screw	881-15035
32	1	Switch frame	881-134690
33	1	Microswitch	881-16978
34	2	Switch frame mounting screw	881-15019
35	1	Cover o-ring	881-14939
36	1	Cable clip	881-33627
37	4	Flat washer	881-15034
38	1	Spacer block	881-13472
39	2	Switch screw	881-15033
40	1	Quick exhaust valve	881-16830
	1	Hose assembly	881-23145
41	1	Activating mechanism	31353-10501
	2	NPA2-SS (air fitting)	881-16878