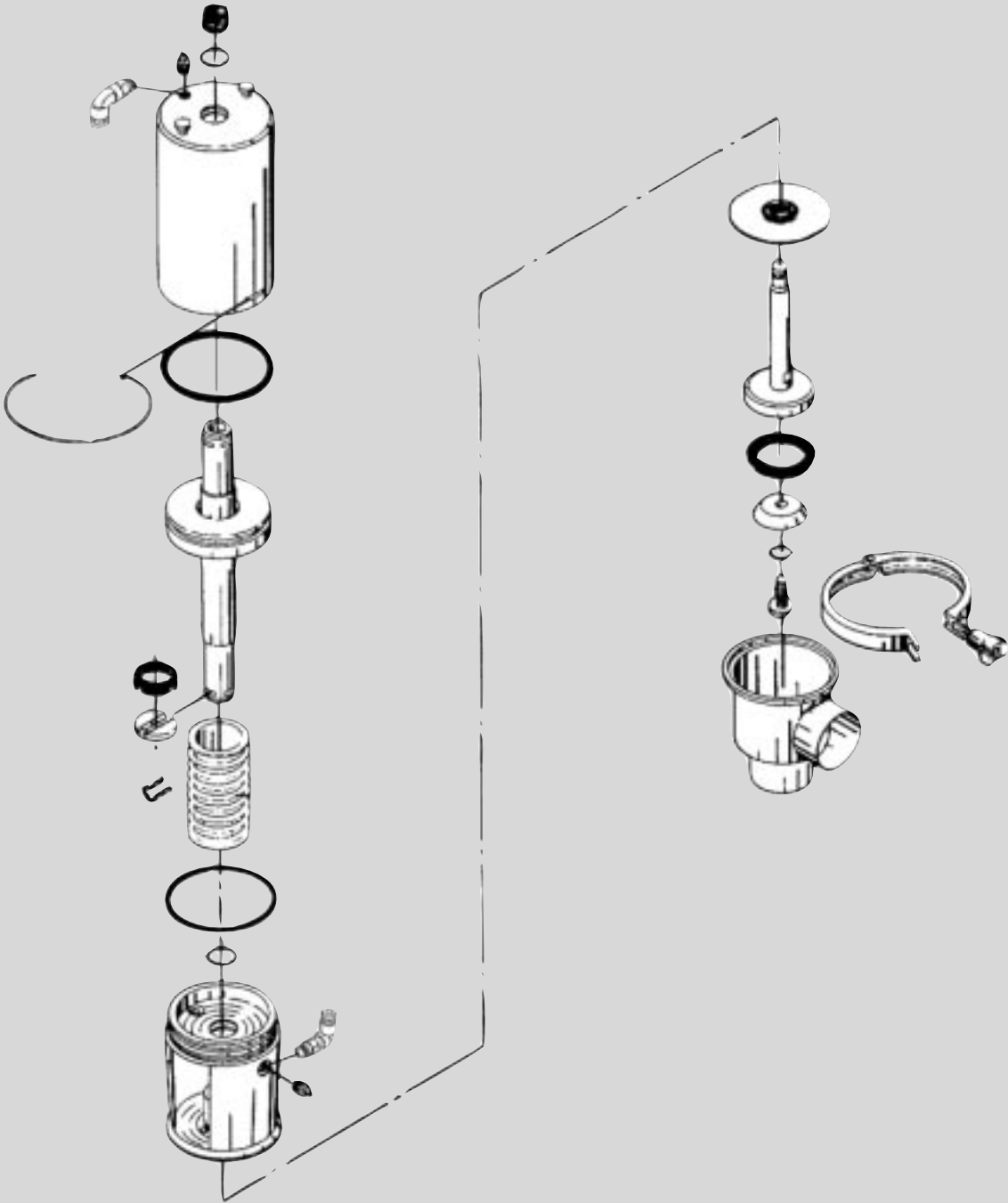
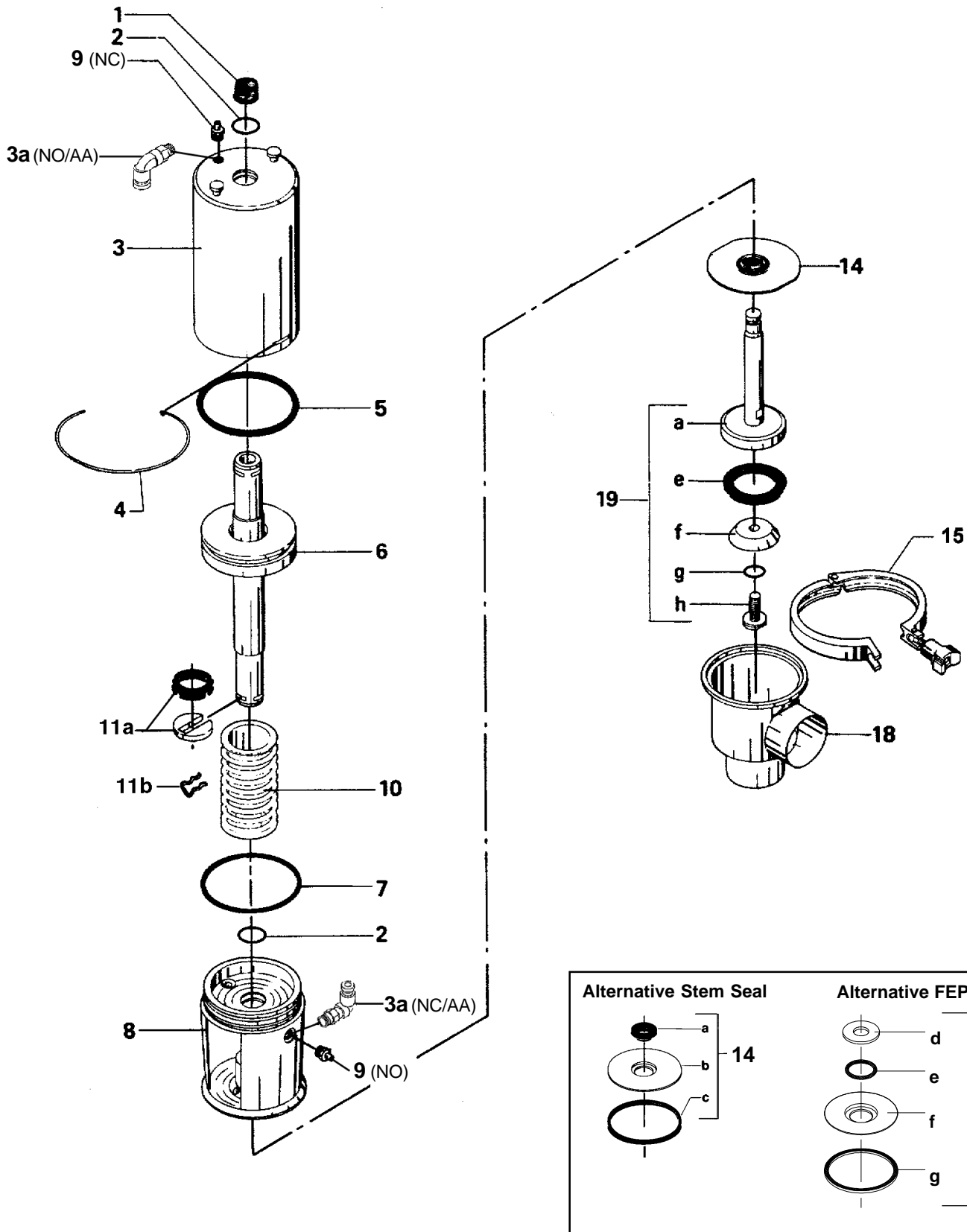


Spare Parts List

SRC Shut-off Seat Valve





Sanitary Remote-Controlled Valve SRC Shut-Off Valve

Actuator

| Pos. | Qty. | Description | 1-inch Part No. | 1.5-inch Part No. | 2-inch Part No. | 2.5-inch Part No. | 3-inch Part No. | 4-inch Part No. |
|------|------|---|---------------------|----------------------|---------------------|----------------------|---------------------|---------------------|
| | 1 | Complete actuator-10 (NO) industrial | Contact Alfa Laval | 31353-0206-1 | 31353-0206-1 | 31353-0206-1 | 31353-0214-1 | 31353-0214-1 |
| | 1 | Complete actuator-20 (NC) industrial | Contact Alfa Laval | 31353-0206-2 | 31353-0206-2 | 31353-0206-2 | 31353-0214-2 | 31353-0214-2 |
| | 1 | Complete actuator-30 (A/A) industrial ... | Contact Alfa Laval | 31353-0206-3 | 31353-0206-3 | 31353-0206-3 | 31353-0214-3 | 31353-0214-3 |
| | 1 | Complete actuator-10 (NO) polished | Contact Alfa Laval | 31353-1001-1 | 31353-1001-1 | 31353-1001-1 | 31353-1002-1 | 31353-1002-1 |
| | 1 | Complete actuator-20 (NC) polished | Contact Alfa Laval | 31353-1001-2 | 31353-1001-2 | 31353-1001-2 | 31353-1002-2 | 31353-1002-2 |
| | 1 | Complete actuator-30 (A/A) polished | Contact Alfa Laval | 31353-1001-3 | 31353-1001-3 | 31353-1001-3 | 31353-1002-3 | 31353-1002-3 |
| 1 | 1 | Cap | 313801-0525-6 | 31801-0525-6 | 31801-0525-6 | 31801-0525-6 | 31801-0525-5 | 31801-0525-5 |
| 2Δ | 2 | O-ring | 223406-25 | 223406-25 | 223406-25 | 223406-25 | 223406-49 | 223406-49 |
| 3 | 1 | Cylinder | 31353-0139-1 | 31353-0139-1 | 31353-0139-1 | 31353-0139-1 | 31353-0185-1 | 31353-0185-1 |
| 3a | 1 | Air fitting (NO) | 881-249420 | 881-249420 | 881-249420 | 881-249420 | 881-249420 | 881-249420 |
| | 1 | Air fitting (NC) | 881-249420 | 881-249420 | 881-249420 | 881-249420 | 881-249420 | 881-249420 |
| | 2 | Air fitting (A/A) | 881-249420 | 881-249420 | 881-249420 | 881-249420 | 881-249420 | 881-249420 |
| 4Δ | 1 | Lock Wire | 31353-0151-1 | 31353-0151-1 | 31353-0151-1 | 31353-0151-1 | 31353-0189-1 | 31353-0189-1 |
| 5Δ | 1 | O-ring | 223401-74 | 223401-74 | 223401-74 | 223401-74 | 223401-75 | 223401-75 |
| 6 | 1 | Piston -1, -2 | 31353-0621-1 | 31353-0621-1 | 31353-0621-1 | 31353-0621-1 | 31353-0619-1 | 31353-0619-1 |
| | 1 | Piston -3 | 31353-0621-2 | 31353-0621-2 | 31353-0621-2 | 31353-0621-2 | 31353-0619-2 | 31353-0619-2 |
| 6a | 1 | Stop ring | 31353-1217-2 | 31353-1217-2 | 31353-1217-2 | 31353-1217-2 | 884-41716 | 884-41716 |
| 7Δ | 1 | O-ring | 223406-67 | 223406-67 | 223406-67 | 223406-67 | 223406-17 | 223406-17 |
| 8 | 1 | Bonnet | 31353-0133-1 | 31353-0133-1 | 31353-0133-1 | 31353-0133-1 | 31353-0190-1 | 31353-0190-1 |
| 9 | 1 | Exhaust plug (NO) | 31353-0154-1 | 31353-0154-1 | 31353-0154-1 | 31353-0154-1 | 31353-0154-1 | 31353-0154-1 |
| | 1 | Exhaust plug (NC) | 31353-0154-1 | 31353-0154-1 | 31353-0154-1 | 31353-0154-1 | 31353-0154-1 | 31353-0154-1 |
| 10* | 1 | Spring assembly (standard black) | 31353-0625-1 | 31353-0625-1 | 31353-0625-1 | 31353-0625-1 | 31353-0622-1 | 31353-0622-1 |
| | 1 | Spring assembly with extra strong spring (white) | 31353-0625-2 | 31353-0625-2 | 31353-0625-2 | 31353-0625-2 | 31353-0622-2 | 31353-0622-2 |
| 11aΔ | 1 | Clip, complete (period 84.08-) | 31353-0793-1 | 31353-0793-1 | 31353-0793-1 | 31353-0793-1 | 31353-0793-2 | 31353-0793-2 |
| 11b | 1 | Clip, (period 68.02 - 84.07) | 31353-0130-1 | 31353-0130-1 | 31353-0130-1 | 31353-0130-1 | 31353-0130-1 | 31353-0130-1 |
| Δ | 1 | Service kit for actuator | 9611-92-0008 | 9611-92-0008 | 9611-92-0008 | 9611-92-0008 | 9611-92-0009 | 9611-92-0009 |

* Only for actuator -10 and -20.

Parts marked with Δ are included in the actuator service kits.

Valve Parts

| Pos. | Qty. | Description | 1-inch Part No. | 1.5-inch Part No. | 2-inch Part No. | 2.5-inch Part No. | 3-inch Part No. | 4-inch Part No. |
|--------------------------------|------|-------------------------------------|--------------------|----------------------|--------------------|----------------------|--------------------|--------------------|
| Stem Seal | | | | | | | | |
| 14Δ | 1 | Lip seal, EPDM (standard) | 31353-0155-1 | 31353-0155-1 | 31353-0155-1 | 31353-0155-1 | 31353-0188-1 | 31353-0188-1 |
| | 1 | Lip seal, NBR | 31353-0155-4 | 31353-0155-4 | 31353-0155-4 | 31353-0155-4 | 31353-0188-2 | 31353-0188-2 |
| | 1 | Lip seal, FPM | 31353-0155-3 | 31353-0155-3 | 31353-0155-3 | 31353-0155-3 | 31353-0188-3 | 31353-0188-3 |
| Clamp | | | | | | | | |
| 15 | 1 | Heavy duty clamp | 9612-0112-04 | 9612-01-1204 | 9612-01-1204 | 9612-01-1204 | 9612-01-1205 | 9612-01-1205 |
| Valve Body (industrial) | | | | | | | | |
| 18 | 1 | Valve body, 2 ports, GC | Contact Alfa Laval | 884-25325-0 | 31353-0030-7 | 31353-0031-7 | 31353-0032-7 | 31353-0066-7 |
| | 1 | Valve body, 2 ports, W | 9612-5987-01 | 31353-0375-1 | 31353-0376-1 | 31353-0380-1 | 31353-0381-1 | 31353-0026-1 |
| | 1 | Valve body, 3 ports, GC | Contact Alfa Laval | 884-25796-0 | 884-2579-5 | 884-2594-6 | 31353-0040-7 | 884-2687-5 |
| | 1 | Valve body, 3 ports, W | 9612-5987-02 | 31353-0375-6 | 31353-0376-6 | 31353-0380-6 | 31353-0381-6 | 31353-0026-6 |
| Valve Body (polished) | | | | | | | | |
| 18 | 1 | Valve body, lower 2 ports, GC | 884-42758 | 31353-103010 | 31353-1030-2 | 31353-1030-3 | 31353-1030-4 | 31353-1030-5 |
| | 1 | Valve body, lower 2 ports, W | 9612-5987-05 | 31353-1100-1 | 31353-1101-1 | 31353-1102-1 | 31353-1103-1 | 31353-1104-1 |
| | 1 | Valve body, lower 3 ports, GC | 884-42759 | 31353-103310 | 31353-1033-2 | 31353-1031-3 | 31353-1031-4 | 31353-1031-5 |
| | 1 | Valve body, lower 3 ports, W | 9612-5987-06 | 31353-1100-2 | 31353-1101-2 | 31353-1102-2 | 31353-1103-2 | 31353-1104-2 |

Recommended Spare Parts: Service kit

Alfa Laval

Valve Parts (continued)

| Pos. | Qty. | Description | 1-inch Part No. | 1.5-inch Part No. | 2-inch Part No. | 2.5-inch Part No. | 3-inch Part No. | 4-inch Part No. |
|-------------------|------|--|--------------------|----------------------|--------------------|----------------------|--------------------|--------------------|
| Valve Plug | | | | | | | | |
| 19 | 1 | Plug, single, complete, EPDM (standard) .. | 9612-5998-01 | 31353-0330-1 | 31353-0331-1 | 31353-0332-1 | 31353-0333-1 | 31353-0334-1 |
| | 1 | Plug, single, complete, NBR | Contact Alfa Laval | 31353-0330-2 | 31353-0331-2 | 31353-0332-2 | 31353-0333-2 | 31353-0334-2 |
| | 1 | Plug, single, complete, FPM | Contact Alfa Laval | 31353-0330-3 | 31353-0331-3 | 31353-0332-3 | 31353-0333-3 | 31353-0334-3 |
| a | 1 | Stem | Contact Alfa Laval | 31353-0340-1 | 31353-0377-1 | 31353-0378-1 | 31353-0341-1 | 31353-0379-1 |
| eΔ | 1 | Seal ring, EPDM (standard) | Contact Alfa Laval | 31353-0320-1 | 31353-0321-1 | 31353-0322-1 | 31353-0324-1 | 31353-0325-1 |
| | 1 | Seal ring, NBR | Contact Alfa Laval | 31353-0320-2 | 31353-0321-2 | 31353-0322-2 | 31353-0324-2 | 31353-0325-2 |
| | 1 | Seal ring, FPM | Contact Alfa Laval | 31353-0320-3 | 31353-0321-3 | 31353-0322-3 | 31353-0324-3 | 31353-0325-3 |
| | 1 | Packing, PTFE | N/A | 31353-1211-1 | 31353-1212-1 | 31353-1213-1 | 31353-1214-1 | 31353-1215-1 |
| f | 1 | Washer | 9612-5997-01 | 31353-1010-1 | 31353-1010-2 | 31353-1010-3 | 31353-1010-4 | 31353-1010-5 |
| gΔ | 1 | O-ring, EPDM (standard) | 990034-01 | 990034-01 | 990034-01 | 990034-01 | 990034-01 | 990034-01 |
| | 1 | O-ring, NBR | 223404-21 | 223404-21 | 223404-21 | 223404-21 | 223404-21 | 223404-21 |
| | 1 | O-ring, FPM | 223404-35 | 223404-35 | 223404-35 | 223404-35 | 223404-35 | 223404-35 |
| | 1 | Seal ring, PTFE | 9612-4330-01 | 9612-4330-01 | 9612-4330-01 | 9612-4330-01 | 9612-4330-01 | 9612-4330-01 |
| h | 1 | Screw | 31353-1011-1 | 31353-1011-1 | 31353-1011-1 | 31353-1011-1 | 31353-1011-1 | 31353-1011-1 |
| Δ | 1 | Service kit for valve, EPDM | 9611-92-0535 | 9611-92-0010 | 9611-92-0013 | 9611-92-0016 | 9611-92-0019 | 9611-92-0022 |
| Δ | 1 | Service kit for valve, NBR | Contact Alfa Laval | 9611-92-0011 | 9611-92-0014 | 9611-92-0017 | 9611-92-0020 | 9611-92-0023 |
| Δ | 1 | Service kit valve, FPM | Contact Alfa Laval | 9611-92-0012 | 9611-92-0015 | 9611-92-0018 | 9611-92-0021 | 9611-92-0024 |

Parts marked with Δ are included in the valve service kits.

Alternative for Stem Seal

| Pos. | Qty. | Description | 1-inch Part No. | 1.5-inch Part No. | 2-inch Part No. | 2.5-inch Part No. | 3-inch Part No. | 4-inch Part No. |
|------------------|------|--|--------------------|----------------------|--------------------|----------------------|--------------------|--------------------|
| Stem Seal | | | | | | | | |
| 14 | 1 | Lip seal kit, EPDM (standard) | 9611-92-0078 | 9611-92-0078 | 9611-92-0078 | 9611-92-0142 | 9611-92-0142 | 9611-92-0142 |
| | 1 | Lip seal kit, NBR | 9611-92-0079 | 9611-92-0079 | 9611-92-0079 | 9611-92-0143 | 9611-92-0143 | 9611-92-0143 |
| | 1 | Lip seal kit, FPM | 9611-92-0080 | 9611-92-0080 | 9611-92-0080 | 9611-92-0144 | 9611-92-0144 | 9611-92-0144 |
| a● | 1 | Lip seal, EPDM (standard) | 9612-2806-01 | 9612-2806-01 | 9612-2806-01 | 9612-3088-01 | 9612-3088-01 | 9612-3088-01 |
| | 1 | Lip seal, NBR | 9612-2806-02 | 9612-2806-02 | 9612-2806-02 | 9612-3088-02 | 9612-3088-02 | 9612-3088-02 |
| | 1 | Lip seal, FPM | 9612-2806-03 | 9612-2806-03 | 9612-2806-03 | 9612-3088-03 | 9612-3088-03 | 9612-3088-03 |
| b | 1 | Plate | 9612-2805-01 | 9612-2805-01 | 9612-2805-01 | 9612-3087-01 | 9612-3087-01 | 9612-3087-01 |
| c● | 1 | Seal ring, EPDM (standard) | 31353-0128-1 | 31353-0128-1 | 31353-0128-1 | 31353-0205-1 | 31353-0205-1 | 31353-0205-1 |
| | 1 | Seal ring, NBR | 31353-0128-2 | 31353-0128-2 | 31353-0128-2 | 31353-0205-2 | 31353-0205-2 | 31353-0205-2 |
| | 1 | Seal ring, FPM | 31353-0128-3 | 31353-0128-3 | 31353-0128-3 | 31353-0205-3 | 31353-0205-3 | 31353-0205-3 |
| FEP Seal | | | | | | | | |
| 14d | 1 | Washer | 31353-0452-1 | 31353-0452-1 | 31353-0452-1 | 31353-0452-2 | 31353-0452-2 | 31353-0452-2 |
| e● | 1 | O-ring FEP/Silicone | 9611-99-2909 | 9611-99-2909 | 9611-99-2909 | 9611-99-2910 | 9611-99-2910 | 9611-99-2910 |
| f | 1 | Holder | 31353-0453-1 | 31353-0453-1 | 31353-0453-1 | 31353-0454-1 | 31353-0454-1 | 31353-0454-1 |
| g● | 1 | Valve body packing | 31353-0451-1 | 31353-0451-1 | 31353-0451-1 | 31353-0451-2 | 31353-0451-2 | 31353-0451-2 |
| ● | 1 | Service kit for alternative stem seal, EPDM .. | 9611-92-0447 | 9611-92-0451 | 9611-92-0455 | 9611-92-0459 | 9611-92-0463 | 9611-92-0467 |
| ● | 1 | Service kit for alternative stem seal, NBR .. | 9611-92-0448 | 9611-92-0452 | 9611-92-0456 | 9611-92-0460 | 9611-92-0464 | 9611-92-0468 |
| ● | 1 | Service kit for alternative stem seal, FPM .. | 9611-92-0449 | 9611-92-0453 | 9611-92-0457 | 9611-92-0461 | 9611-92-0465 | 9611-92-0469 |
| ● | 1 | Service kit for alternative stem seal, FEP .. | 9611-92-0450 | 9611-92-0454 | 9611-92-0458 | 9611-92-0462 | 9611-92-0466 | 9611-92-0470 |

Parts marked with ● are included in the alternative stem seal service kits.

Valve Body Combinations:



Recommended Spare Parts: Service kit

Alfa Laval
8201 104th Street
Pleasant Prairie, WI 53158-0909
Telephone: 800-558-2060
Fax: 262-947-4724
www.us.flow.alfalaval.com