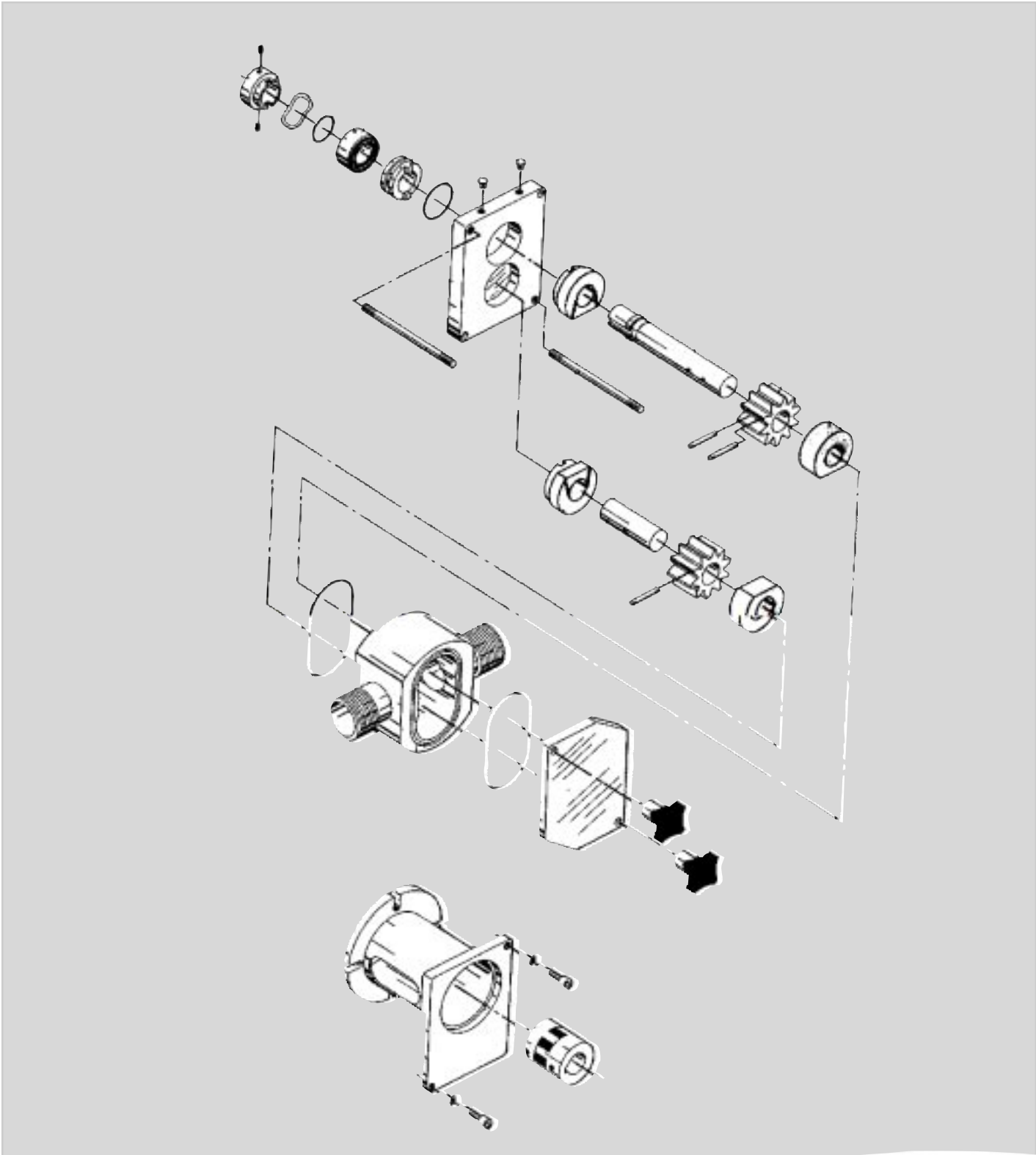
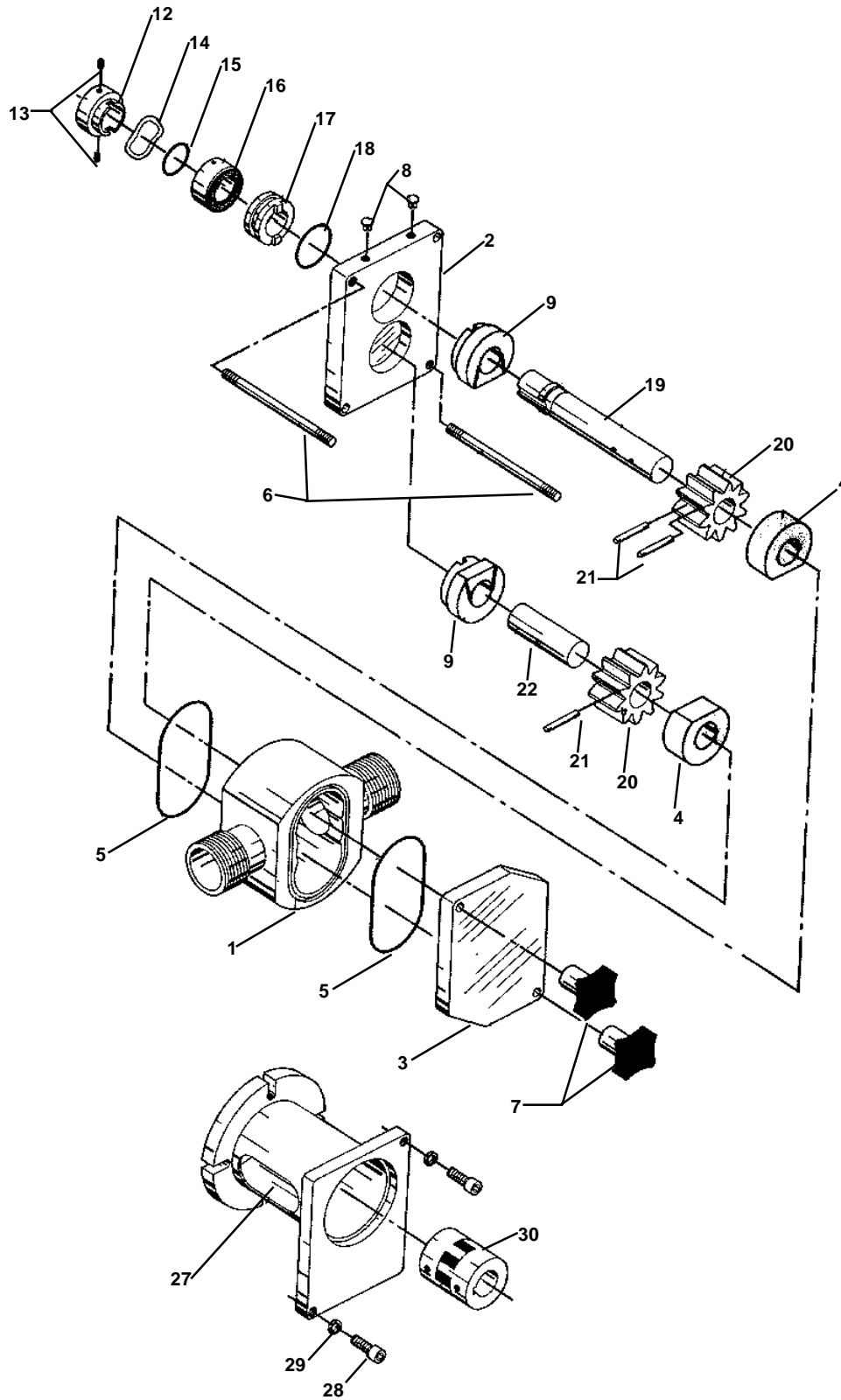


Spare Parts List

M200 Positive Displacement Gear Pump





Positive Displacement Gear Pumps M200

Pos.	Qty.	Description	M200	M210	M220
Standard Parts					
1	1	Body	31499-0622-1	31499-0622-1	31499-0623-1
2	1	Back plate	31499-0624-1	31499-0624-1	31499-0624-1
3	1	Cover	31499-0621-1	31499-0621-1	31499-0621-1
4	2	Bush - front	31499-0625-1	31499-0626-1	31499-0625-1
5	2	Joint ring - EPDM	31499-5022-5	31499-5022-5	31499-5022-5
6	2	Stud	31499-5605-1	31499-5605-1	31499-5606-1
7	2	Nut - quick release	31490-0216-3	31490-0216-3	31490-0216-3
8	2	plug	31499-0904-4	31499-5904-4	31499-5904-4
9	2	Bush - rear	31499-0627-1	31499-0628-1	31499-0627-1
12	1	Spring retainer	31499-0042-1	31499-0042-1	31499-0042-1
13	2	Screw	31499-5402-1	31499-5402-1	31499-5402-1
	1	Shaft seal assembly - EPDM (pos. 14 to 19)	31499-0037-5	31499-0037-5	31499-0037-5
14	1	Wave spring	31499-0043-1	31499-0043-1	31499-0043-1
15	1	O-ring EPDM	31499-5018-5	31499-5018-5	31499-5018-5
16	1	Rotary seal ring - carbon	31499-0045-2	31499-0045-2	31499-0045-2
17	1	Static seat - stainless steel	31499-0637-1	31499-0637-1	31499-0637-1
18	1	O-ring - EPDM	31499-5019-5	31499-5019-5	31499-5019-5
	1	Drive shaft / stainless gear assembly (pos.19 to 21)	31499-0673-2	31499-0674-2	31499-0675-2
19	1	Drive shaft	31499-0671-1	31499-0671-1	31499-0672-1
20	1	Gear - stainless steel	31499-0632-1	31499-0006-1	31499-0633-1
21	2	Pin	31499-0016-1	31499-0016-1	31499-0016-1
	1	Lay shaft / stainless gear assembly (pos. 20 to 22)	31499-0634-2	31499-0028-2	31499-0635-2
20	1	Gear - stainless steel	31499-0632-1	31499-0006-1	31499-0633-1
21	1	Pin	31499-0016-1	31499-0016-1	31499-0016-1
22	1	Lay shaft	31499-0005-1	31499-0005-1	31499-0636-1
Optional Parts					
1	1	Body - bolt on connections	31499-0676-1	31499-0676-1	31499-0677-1
5	1	Joint ring - Nitrile	31499-5022-1	31499-5022-1	31499-5022-1
	1	Joint ring - Viton	31499-5022-2	31499-5022-2	31499-5022-2
	1	Shaft seal assembly - Nitrile (pos. 14 to 19)	31499-0037-1	31499-0037-1	31499-0037-1
	1	Shaft seal assembly - Viton	31499-0037-2	31499-0037-2	31499-0037-2
15	1	O-ring - Nitrile	31499-5018-1	31499-5018-1	31499-5018-1
	1	O-ring - Viton	31499-5018-2	31499-5018-2	31499-5018-2
18	1	O-ring - Nitrile	31499-5019-1	31499-5019-1	31499-5019-1
	1	O-ring - Viton	31499-5019-2	31499-5019-2	31499-5019-2
27	1	Flange bracket - D71	31499-0660-1	31499-0660-1	31499-0660-1
	1	Flange bracket - D80	31499-0661-1	31499-0661-1	31499-0661-1
28	2	Screw	31490-0249-1	31490-0249-1	31490-0249-1
29	2	Washer	31499-5900-2	31499-5900-2	31499-5900-2
30	1	Coupling assembly - D71	31499-0662-1	31499-0662-1	31499-0662-1
	1	Coupling assembly - D80	31499-0663-1	31499-0663-1	31499-0663-1

Recommended Spare Parts: Shaft seal assembly (pos. 14-18) and pos. 4, 5, 9 and 13

Alfa Laval

Alfa Laval

Alfa Laval
8201 104th Street
Pleasant Prairie, WI 53158-0909
Telephone: 800-558-2060
Fax: 262-947-4724
www.us.flow.alfalaval.com