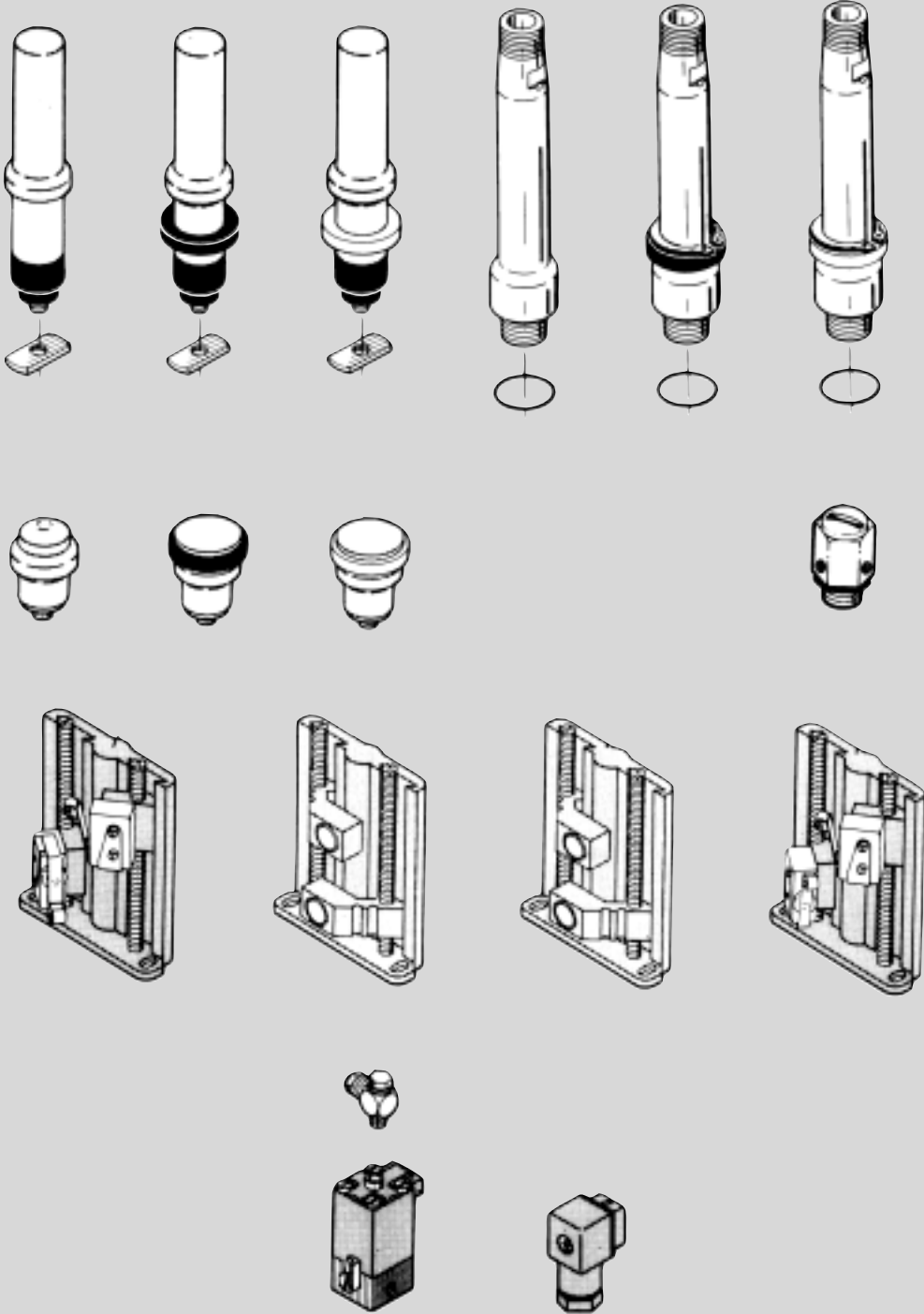
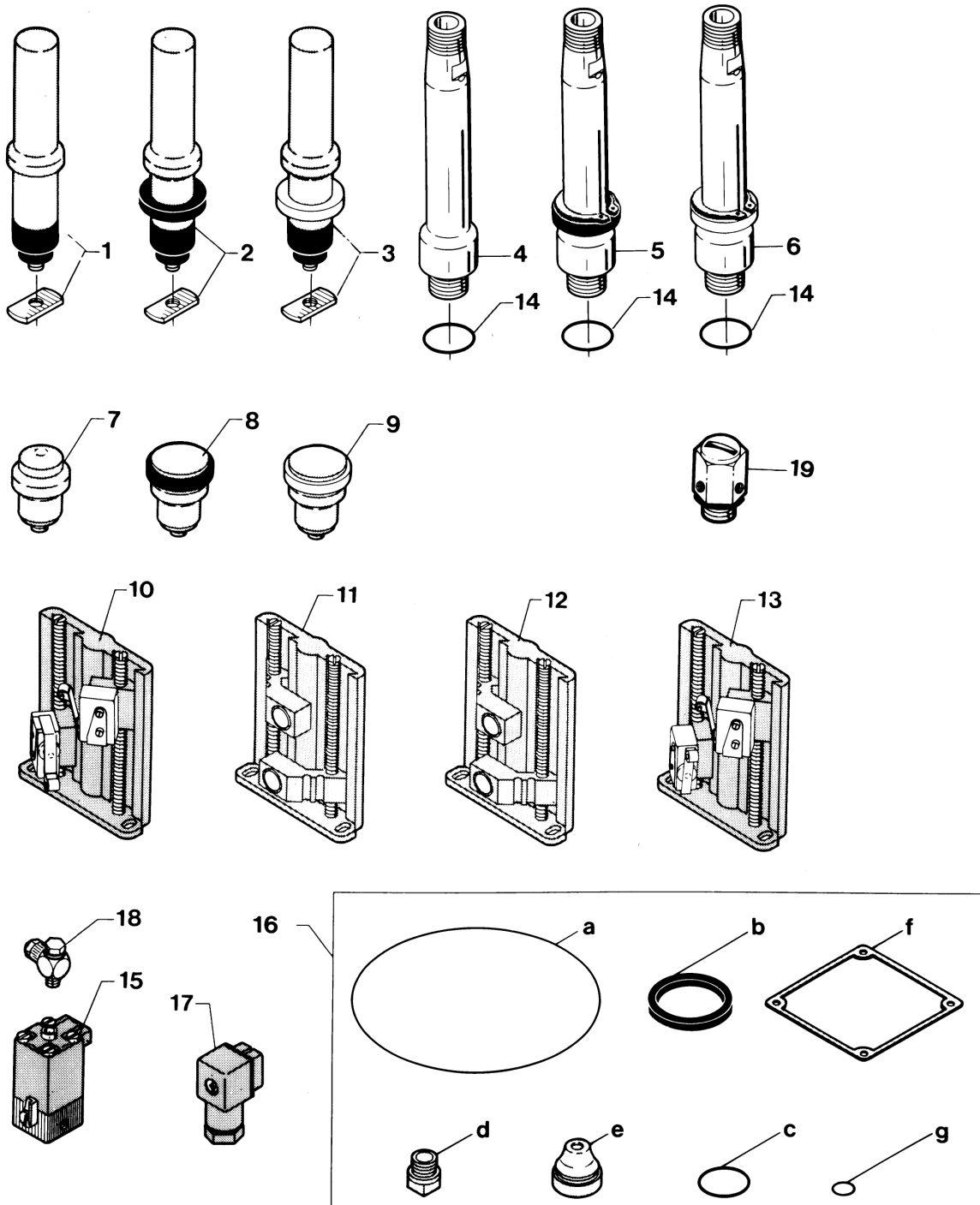


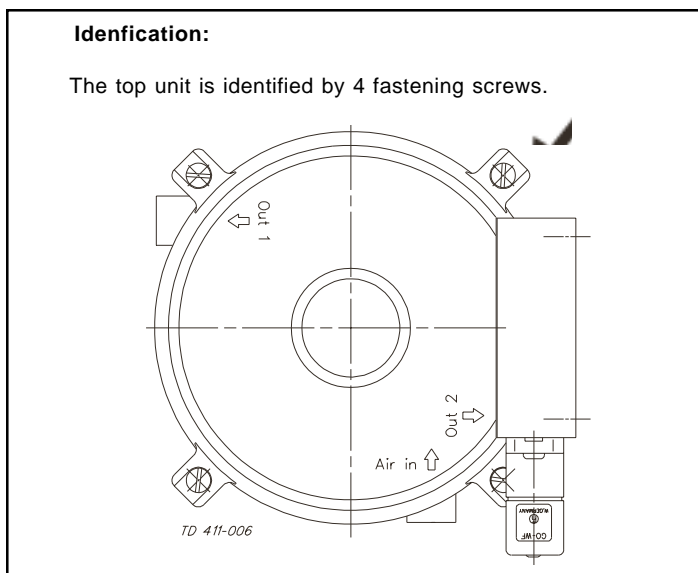
Spare Parts List

LKT-N Top Unit





Pos.	Qty.	Description	SRC ARC SMP-BC SMP-SC Part No.	SMP-EC Part No.	LKLA-T Part No.	SMP-SC Spillage-free SMP-TO 5-6" SRC/ ARC/SMP-BC/ SMP-SC Part No.
1	1	Extension set for micro switches	9612-3065-03	N/A	N/A	N/A
2	1	Extension set for hall proximity switches	9612-3065-01	N/A	N/A	N/A
3	1	Extension set for inductive proximity switches	9612-3065-02	N/A	N/A	N/A
4	1	Extension for micro switches	N/A	9612-0850-01	N/A	N/A
5	1	Extension for hall proximity switches	N/A	9612-0851-01	N/A	N/A
6	1	Extension for inductive proximity switches	N/A	9612-0851-02	N/A	N/A
7	1	Extension for micro switches	N/A	N/A	9612-1938-03	9612-4117-03
8	1	Extension for hall proximity switches	N/A	N/A	9612-1938-01	9612-4117-02
9	1	Extension for inductive proximity switches	N/A	N/A	9612-1938-02	9612-4117-01
10	1	Sensor unit with micro switches (two NO)	9612-3399-06	N/A	9612-3399-06	9612-3399-06
11	1	Sensor unit with hall proximity switches (blue)	9612-3399-02	9612-3399-02	9612-3399-02	9612-3399-02
12	1	Sensor unit with inductive proximity switches (red)	9612-3399-05	9612-3399-05	9612-3399-05	9612-3399-05
13	1	Sensor unit with micro switches (one NO, one NC)	N/A	9612-3399-07	N/A	N/A
14	1	O-ring, EPDM	N/A	223403-80	N/A	N/A
15	1	Solenoid valve 24 VDC	9611-99-2809	9611-99-2809	9611-99-2809	9611-99-2809
	1	Solenoid valve 24 VAC	9611-99-2810	9611-99-2810	9611-99-2810	9611-99-2810
	1	Solenoid valve 48 VAC	9611-99-2811	9611-99-2811	9611-99-2811	9611-99-2811
	1	Solenoid valve 110 VAC	9611-99-2812	9611-99-2812	9611-99-2812	9611-99-2812
16	1	Fittings and seals set	9611-92-0182	9611-92-0182	9611-92-0182	9611-92-0182
a	1	O-ring, NBR	9611-99-2704	9611-99-2704	9611-99-2704	9611-99-2704
b	1	Quad-ring, NBR	9611-99-2656	9611-99-2656	9611-99-2656	9611-99-2656
c	1	O-ring, NBR	9611-99-2129	9611-99-2129	9611-99-2129	9611-99-2129
d	1	Plug R 1/8"	9611-99-1221	9611-99-1221	9611-99-1221	9611-99-1221
e	1	Seal for air tube	9611-99-2121	9611-99-2121	9611-99-2121	9611-99-2121
f	1	Seal for LKT-N box	9612-0854-01	9612-0854-01	9612-0854-01	9612-0854-01
g	1	Seal for screw	9611-99-2775	9611-99-2775	9611-99-2775	9611-99-2775
17	1	Cable connector, female	9611-99-2335	9611-99-2335	9611-99-2335	9611-99-2335
18	1	Banjo connection	9611-99-1739	9611-99-1739	9611-99-1739	9611-99-1739
19	1	Safety valve	9611-99-2842	9611-99-2842	9611-99-2842	9611-99-2842



Alfa Laval

Alfa Laval
8201 104th Street
Pleasant Prairie, WI 53158-0909
Telephone: 800-558-2060
Fax: 262-947-4724
www.us.flow.alfalaval.com