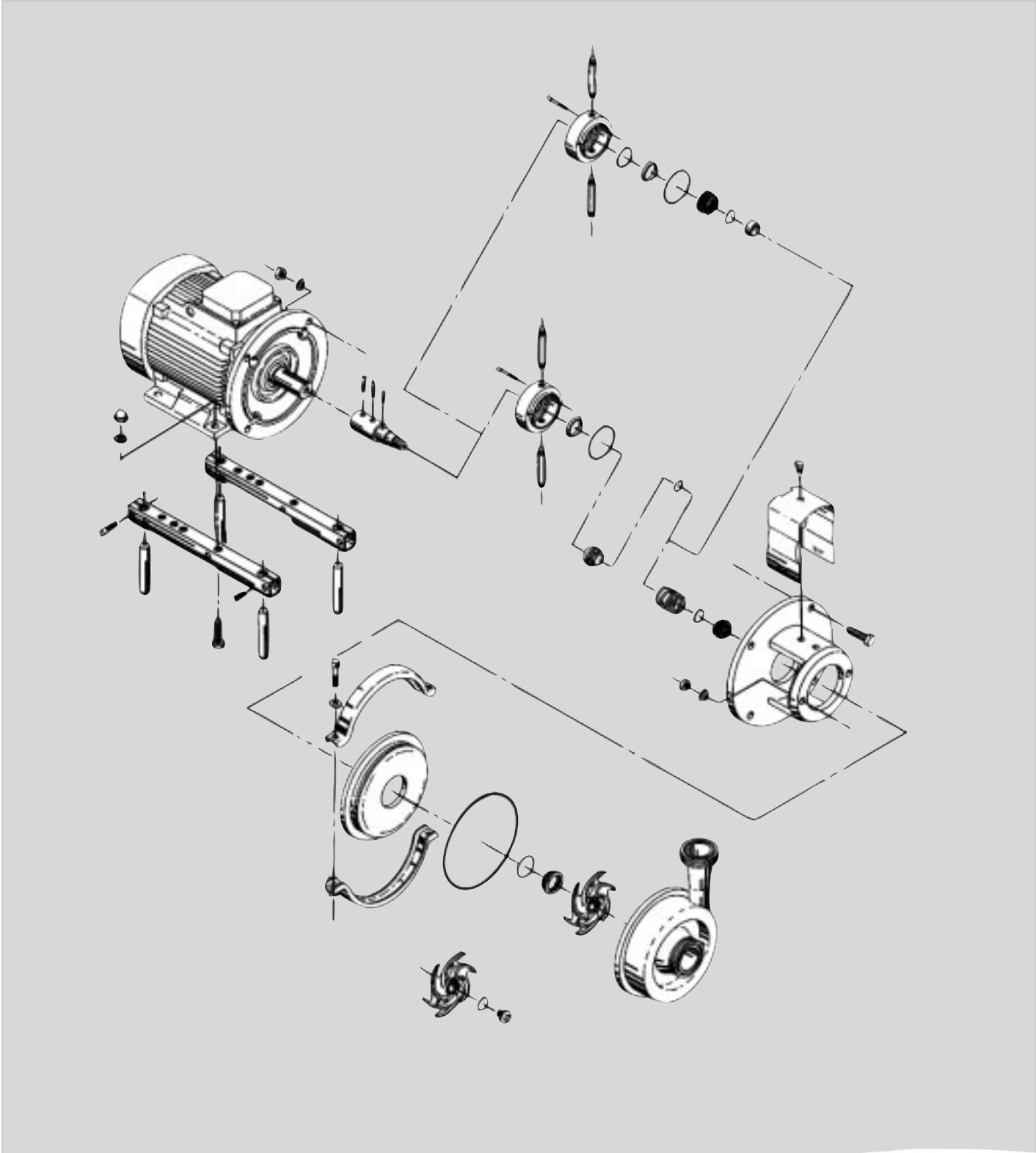
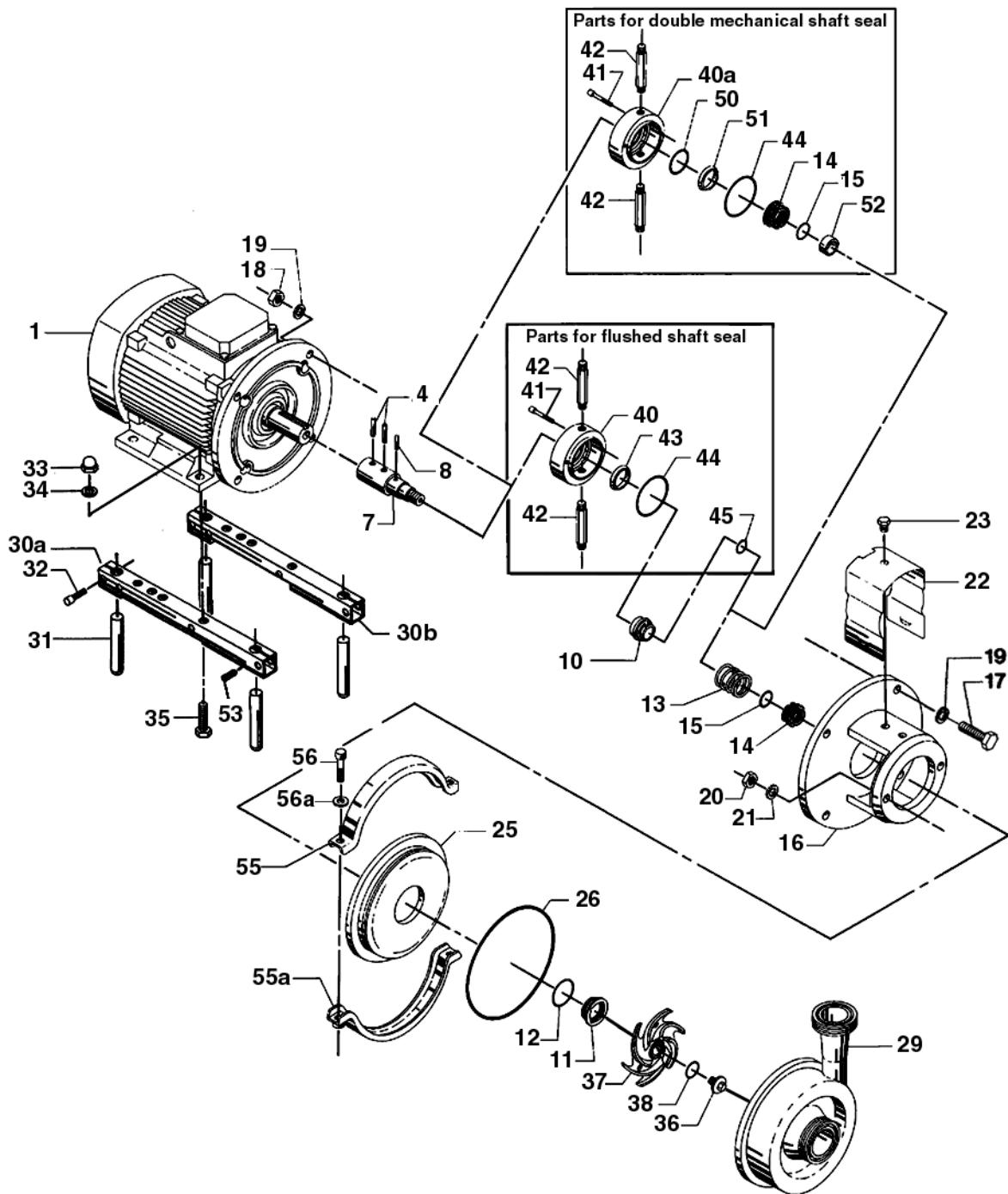


Spare Parts List

LKH-5 Centrifugal Pump





Centrifugal Pump LKH-5

Pos.	Qty.	Description	1 Hp Part No.	1.5-2 Hp Part No.	3-5 Hp Part No.
1	1	Motor			
4	2	Screw	9612-5875-03	9612-5875-04	9612-5875-05
7	1	Stub shaft	9612-5953-01	9612-5961-01	9612-5954-01
8	1	Connex pin	9611-99-0622	9611-99-0622	9611-99-0622
10	1	Drive ring - single shaft seal	9612-1377-01	9612-1377-01	9612-1377-01
	1	Drive ring - flushed shaft seal	9612-1397-01	9612-1397-01	9612-1397-01
11 _a ♦□○◇	1	Stationary seal ring, SC	9612-1379-01	9612-1379-01	9612-1379-01
12 _a ♦□○◇	1	Stationary O-ring, EPDM (standard)	9611-99-2149	9611-99-2149	9611-99-2149
	1	Stationary O-ring, FPM	9611-99-2150	9611-99-2150	9611-99-2150
	1	Stationary O-ring, NBR	9611-99-2151	9611-99-2151	9611-99-2151
	1	Stationary O-ring, PTFE	9611-99-2152	9611-99-2152	9611-99-2152
13 _a ♦□○◇	1	Spring	9612-1376-01	9612-1376-01	9612-1376-01
14 _a □○	1	Rotating seal ring, Carbon	9612-13-6401	9612-13-6401	9612-13-6401
	1	Rotating seal ring, SC	9612-13-6402	9612-13-6402	9612-13-6402
♦◇	2	Rotating seal ring, Carbon	9612-13-6401	9612-13-6401	9612-13-6401
	2	Rotating seal ring, SC	9612-13-6402	9612-13-6402	9612-13-6402
15 _a □○	1	Rotating O-ring, EPDM (standard)	9611-99-2145	9611-99-2145	9611-99-2145
	1	Rotating O-ring, FPM	9611-99-2146	9611-99-2146	9611-99-2146
	1	Rotating O-ring, NBR	9611-99-2147	9611-99-2147	9611-99-2147
	1	Rotating O-ring, PTFE	9611-99-2148	9611-99-2148	9611-99-2148
♦◇	2	Rotating O-ring, EPDM (standard)	9611-99-2145	9611-99-2145	9611-99-2145
	2	Rotating O-ring, FPM	9611-99-2146	9611-99-2146	9611-99-2146
	2	Rotating O-ring, NBR	9611-99-2147	9611-99-2147	9611-99-2147
	2	Rotating O-ring, PTFE	9611-99-2148	9611-99-2148	9611-99-2148
16	1	Adaptor	9612-5955-01	9612-5955-01	9612-5956-01
17	4	Screw for adaptor	9611-99-1911	9611-99-1911	9611-99-1911
18	4	Nut for adaptor	9611-99-0353	9611-99-0353	9611-99-0353
19	4	Washer for adaptor	9611-99-1887	9611-99-1887	9611-99-1887
20	2	Nut	9611-99-0260	9611-99-0260	9611-99-0380
21	2	Washer	9611-99-1831	9611-99-1831	9611-99-1831
22	1	Safety gaurd	9612-5939-02	9612-5939-02	9612-5939-06
23	1	Screw for safety gaurd	9611-99-2544	9611-99-2544	9611-99-2544
25	1	Back plate	9612-1384-28	9612-1384-28	9612-1384-28
26□○◇	1	O-ring, EPDM (standard)	9611-99-3560	9611-99-3560	9611-99-3560
	1	O-ring, NBR	9611-99-3581	9611-99-3581	9611-99-3581
	1	O-ring, FPM	9611-99-3562	9611-99-3562	9611-99-3562
	1	O-ring, FEP	9611-99-3563	9611-99-3563	9611-99-3563
29	1	Pump casing, GC	9612-1288-12	9612-1288-12	9612-1288-12
30a-35	1	Leg assembly	9612-6407-01	9612-6407-01	9612-6407-02
36	1	Impeller screw	9612-3627-01	9612-3627-01	9612-3627-01
37	1	Impeller for impeller screw	9612-5876-02	9612-5876-02	9612-5876-02
38□○◇	1	O-ring, EPDM (standard)	9611-99-2750	9611-99-2750	9611-99-2750
	1	O-ring, NBR	9611-99-2751	9611-99-2751	9611-99-2751
	1	O-ring, FPM	9611-99-2752	9611-99-2752	9611-99-2752
	1	O-ring, FEP	9611-99-3539	9611-99-3539	9611-99-3539
40a	1	Seal housing - double mechanical	9612-1339-02	9612-1339-02	9612-1339-02
40b	1	Seal housing - flushed	9612-1339-01	9612-1339-01	9612-1339-01
41	2	Screw for seal housing	9611-99-0203	9611-99-0203	9611-99-0203
42	2	Water flush pipe	31457-0056-1	31457-0056-1	31457-0056-1
43 _ø ○	1	Lip seal	31446-0088-2	31446-0088-2	31446-0088-2
44 _ø ♦○◇	1	O-ring for seal housing	9611-99-2153	9611-99-2153	9611-99-2153
45 _ø ○	1	Drive ring O-ring	9611-99-2145	9611-99-2145	9611-99-2145
50♦◇	1	O-ring	9611-99-2156	9611-99-2156	9611-99-2156
51♦◇	1	Sec. stationary seal ring, SC	9612-1383-02	9612-1383-02	9612-1383-02
52♦◇	1	Spacer	9612-3089-01	9612-3089-01	9612-3089-01
55	1	Upper clamp	9612-5895-02	9612-5895-02	9612-5895-02
55a	1	Lower clamp	9612-5896-02	9612-5896-02	9612-5896-02
56	2	Screw	9611-99-1126	9611-99-1126	9611-99-1126
56a	2	Spring washer	9611-99-1888	9611-99-1888	9611-99-1888

Parts marked with _a, ø, ♦ are included in the seal kits.

Parts marked with _a, ø, ♦, □, ○, ◇ are included in the service kits.

Recommended Spare Parts: Service kits

Alfa Laval

Pos.	Qty.	Description	1-40 Hp Part No.
Seal Kit for Single Shaft Seal			
à	1	C/SC seal kit, EPDM	9612-1296-09
à	1	C/SC seal kit, NBR	9612-1296-10
à	1	C/SC seal kit, FPM	9612-1296-11
à	1	SC/SC seal kit, EPDM	9612-1296-05
à	1	SC/SC seal kit, NBR	9612-1296-06
à	1	SC/SC seal kit, FPM	9612-1296-07

Seal Kit for Flushed Shaft Seal			
ø	1	C/SC seal kit, EPDM	9612-1296-09
ø	1	C/SC seal kit, NBR	9612-1296-10
ø	1	C/SC seal kit, FPM	9612-1296-11
ø	1	SC/SC seal kit, EPDM	9612-1296-05
ø	1	SC/SC seal kit, NBR	9612-1296-06
ø	1	SC/SC seal kit, FPM	9612-1296-07

Seal Kit for Double Mechanical Shaft Seal			
◆	1	C/SC seal kit, EPDM	9612-12-9613
◆	1	C/SC seal kit, NBR	9612-12-9614
◆	1	C/SC seal kit, FPM	9612-12-9615
◆	1	SC/SC seal kit, EPDM	9612-12-9617
◆	1	SC/SC seal kit, NBR	9612-12-9618
◆	1	SC/SC seal kit, FPM	9612-12-9619

Parts marked with à, ø, ◆ are included in the seal kits.

Service Kit for Single Shaft Seal			
□	1	Service kit, EPDM	9611-92-2306
□	1	Service kit, NBR	9611-92-2307
□	1	Service kit, FPM	9611-92-2308
□	1	Service kit, PTFE	9611-92-2309

Service Kit for Flushed Shaft Seal			
○	1	Service kit, EPDM	9611-92-2314
○	1	Service kit, NBR	9611-92-2315
○	1	Service kit, FPM	9611-92-2316
○	1	Service kit, PTFE	9611-92-2317

Service Kit for Double Mechanical Shaft Seal			
◇	1	Service kit, EPDM	9611-92-2322
◇	1	Service kit, NBR	9611-92-2323
◇	1	Service kit, FPM	9611-92-2324
◇	1	Service kit, PTFE	9611-92-2325

Parts marked with à, ø, ◆, □, ○, ◇ are included in the service kits.

Conversion Kits			
1	1	Single to flushed shaft seal.....	9611-92-2042
		(The conversion kit contains Pos. 10, 40, 41, 42, 43, 44, 45)	
1	1	Single to double mechanical shaft seal	9611-92-2175
		(The conversion kit contains Pos. 14, 15, 40a, 41, 42, 44, 50, 51, 52)	
1	1	Flushed to double mechanical shaft seal.....	9611-92-2176
		(The conversion kit contains Pos. 14, 40a, 50, 51, 52)	

Accessories			
1	1	Tool complete	9612-1371-01