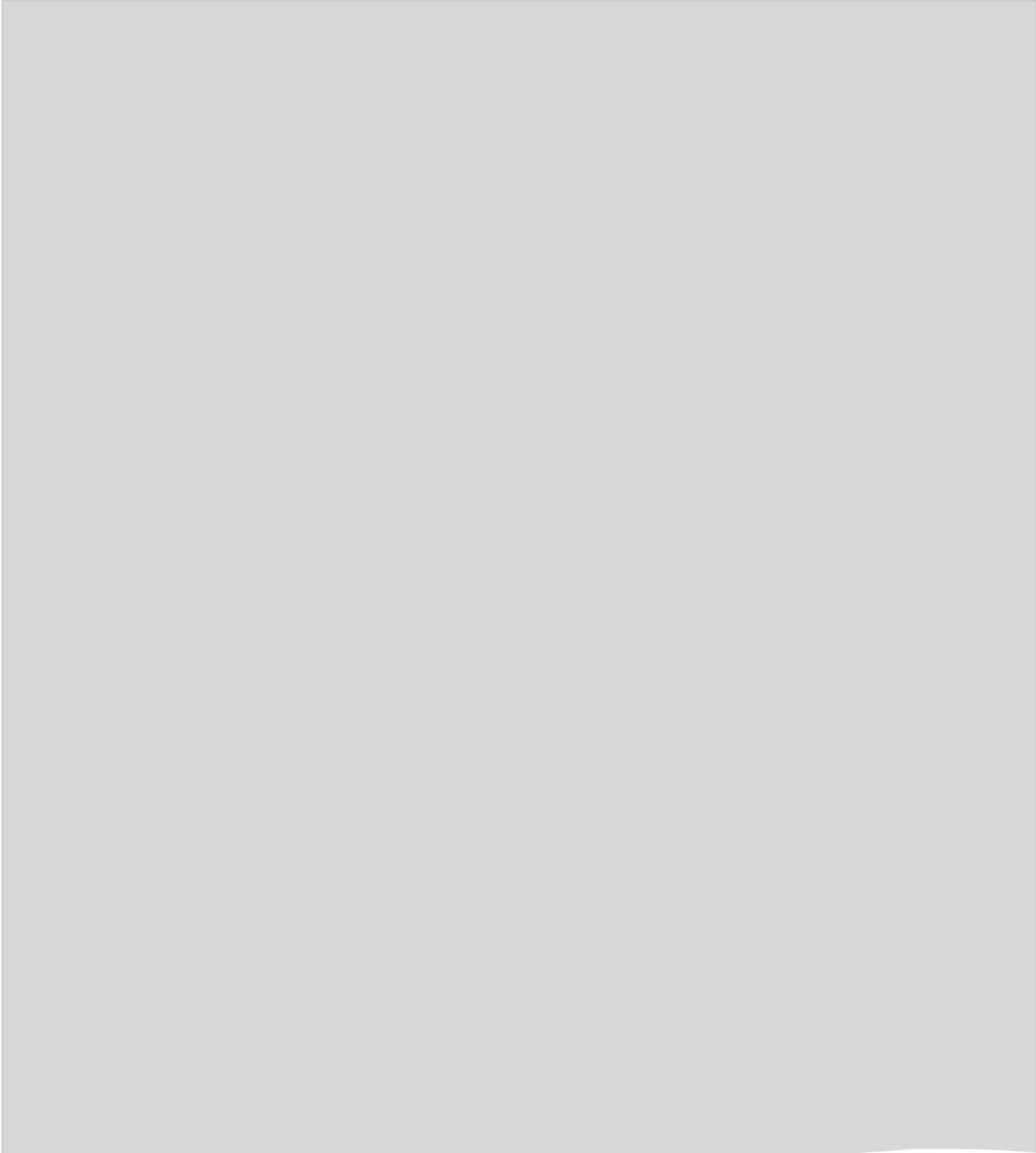
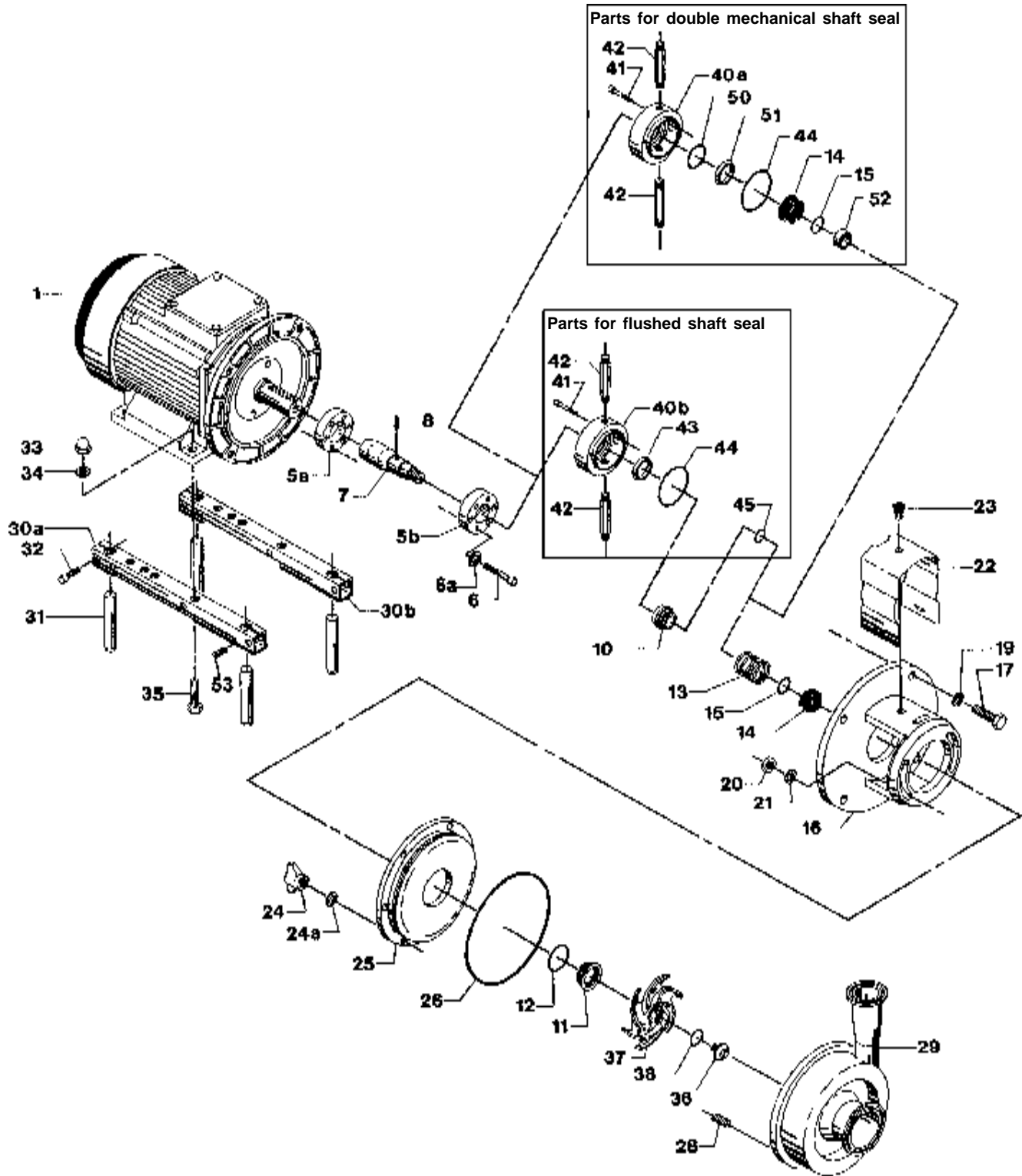


Spare Parts List

LKH-45 Centrifugal Pump





Centrifugal Pump LKH-45

Pos.	Qty.	Description	7.5-10 Hp Part No.	15-20 Hp Part No.	25-30 Hp Part No.
1	1	Motor			
5a	1	Compression ring with thread	9612-13-3606	9612-13-3603	9612-13-3603
5b	1	Compression ring without thread	9612-13-3706	9612-13-3703	9612-13-3703
6	6	Screw	9611-99-2338	9611-99-2338	9611-99-2504
6a	6	Washer	9611-99-3199	9611-99-3199	9611-99-3199
7	1	Stub shaft	9612-13-3202	9612-13-3302	9612-13-3302
8	1	Connex pin	9611-99-0622	9611-99-0622	9611-99-0622
10	1	Drive ring - single shaft seal	9612-13-7701	9612-13-7701	9612-13-7701
	1	Drive ring - flush shaft seal	9612-13-9701	9612-13-9701	9612-13-9701
11 $\text{a}\varnothing$ ◆□○◇	1	Stationary seal ring, SC	9612-13-7901	9612-13-7901	9612-13-7901
12 $\text{a}\varnothing$ ◆□○◇	1	Stationary O-ring, EPDM (standard)	9611-99-2149	9611-99-2149	9611-99-2149
	1	Stationary O-ring, FPM	9611-99-2150	9611-99-2150	9611-99-2150
	1	Stationary O-ring, NBR	9611-99-2151	9611-99-2151	9611-99-2151
	1	Stationary O-ring, PTFE	9611-99-2152	9611-99-2152	9611-99-2152
13 $\text{a}\varnothing$ ◆□○◇	1	Spring	9612-13-7601	9612-13-7601	9612-13-7601
14 $\text{a}\varnothing$ □○	1	Rotating seal ring, Carbon	9612-13-6401	9612-13-6401	9612-13-6401
	1	Rotating seal ring, SC	9612-13-6402	9612-13-6402	9612-13-6402
◆◇	2	Rotating seal ring, Carbon	9612-13-6401	9612-13-6401	9612-13-6401
	2	Rotating seal ring, SC	9612-13-6402	9612-13-6402	9612-13-6402
15 $\text{a}\varnothing$ □○	1	Rotating O-ring, EPDM (standard)	9611-99-2145	9611-99-2145	9611-99-2145
	1	Rotating O-ring, FPM	9611-99-2146	9611-99-2146	9611-99-2146
	1	Rotating O-ring, NBR	9611-99-2147	9611-99-2147	9611-99-2147
	1	Rotating O-ring, PTFE	9611-99-2148	9611-99-2148	9611-99-2148
◆◇	2	Rotating O-ring, EPDM (standard)	9611-99-2145	9611-99-2145	9611-99-2145
	2	Rotating O-ring, FPM	9611-99-2146	9611-99-2146	9611-99-2146
	2	Rotating O-ring, NBR	9611-99-2147	9611-99-2147	9611-99-2147
	2	Rotating O-ring, PTFE	9611-99-2148	9611-99-2148	9611-99-2148
16	1	Adaptor	9612-13-5912	9612-13-5913	9612-13-5918
17	4	Adaptor screw	881-30173	881-30173	881-30173
19	4	Adaptor spring washer	881-29835	881-29835	881-29835
20	2	Adaptor nut	9611-99-0353	9611-99-0353	9611-99-0353
21	2	Washer	9611-99-2559	9611-99-2559	9611-99-2559
22	1	Safety guard	9612-13-1107	9612-13-1108	9612-13-1108
23	1	Safety guard screw	31460-1309-1	31460-1309-1	31460-1309-1
24	6	Wingnuts	9611-41-6892	9611-41-6892	9611-41-6892
24a	6	Spring washer	9611-99-1888	9611-99-1888	9611-99-1888
25	1	Back plate polished	9612-13-8426	9612-13-8426	9612-13-8426
26□○◇	1	Joint ring, EPDM (standard)	9611-99-2983	9611-99-2983	9611-99-2983
	1	Joint ring, FPM	9611-99-2985	9611-99-2985	9611-99-2985
	1	Joint ring, NBR	9611-99-2984	9611-99-2984	9611-99-2984
	1	Joint ring, PTFE	9611-99-2986	9611-99-2986	9611-99-2986
28	6	Stud bolt	9611-99-2169	9611-99-2169	9611-99-2169
29	1	Pump casing	883-39461	883-39461	883-39461
30a-35	1	Leg assembly	31460-1301-4	31460-1302-3	31460-1302-4
36	1	Impeller screw	9612-13-9603	9612-13-9603	9612-13-9603
37	1	Impeller polished, full	883-39460	883-39460	883-39460
38□○◇	1	Impeller O-ring, EPDM (standard)	9611-99-2145	9611-99-2145	9611-99-2145
	1	Impeller O-ring, FPM	9611-99-2146	9611-99-2146	9611-99-2146
	1	Impeller O-ring, NBR	9611-99-2147	9611-99-2147	9611-99-2147
	1	Impeller O-ring, PTFE	9611-99-2148	9611-99-2148	9611-99-2148
40a	1	Seal housing - double mechanical	9612-13-3902	9612-13-3902	9612-13-3902
40b	1	Seal housing - flushed	9612-13-3901	9612-13-3901	9612-13-3901
41	2	Screw for seal housing	9611-99-0203	9611-99-0203	9611-99-0203
42	2	Water flush pipe	31457-0056-1	31457-0056-1	31457-0056-1
43 \varnothing ○	1	Lip seal	31446-0088-2	31446-0088-2	31446-0088-2
44 \varnothing ◆○◇	1	Seal housing O-ring	9611-99-2153	9611-99-2153	9611-99-2153
45 \varnothing ○	1	Drive ring O-ring	9611-99-2145	9611-99-2145	9611-99-2145
50◆◇	1	O-ring	9611-99-2156	9611-99-2156	9611-99-2156
51◆◇	1	Sec. stationary seal ring, SC	9612-13-8302	9612-13-8302	9612-13-8302
52◆◇	1	Spacer	9612-30-8901	9612-30-8901	9612-30-8901

Parts marked with a , \varnothing , ◆ are included in the seal kits.

Parts marked with a , \varnothing , ◆, □, ○, ◇ are included in the service kits.

Recommended Spare Parts: Service kits

Alfa Laval

Pos.	Qty.	Description	1-40 Hp Part No.
Seal Kit for Single Shaft Seal			
à	1	C/SC seal kit, EPDM	9612-1296-09
à	1	C/SC seal kit, NBR	9612-1296-10
à	1	C/SC seal kit, FPM	9612-1296-11
à	1	SC/SC seal kit, EPDM	9612-1296-05
à	1	SC/SC seal kit, NBR	9612-1296-06
à	1	SC/SC seal kit, FPM	9612-1296-07
Seal Kit for Flushed Shaft Seal			
ø	1	C/SC seal kit, EPDM	9612-1296-09
ø	1	C/SC seal kit, NBR	9612-1296-10
ø	1	C/SC seal kit, FPM	9612-1296-11
ø	1	SC/SC seal kit, EPDM	9612-1296-05
ø	1	SC/SC seal kit, NBR	9612-1296-06
ø	1	SC/SC seal kit, FPM	9612-1296-07
Seal Kit for Double Mechanical Shaft Seal			
◆	1	C/SC seal kit, EPDM	9612-1296-13
◆	1	C/SC seal kit, NBR	9612-1296-14
◆	1	C/SC seal kit, FPM	9612-1296-15
◆	1	SC/SC seal kit, EPDM	9612-1296-17
◆	1	SC/SC seal kit, NBR	9612-1296-18
◆	1	SC/SC seal kit, FPM	9612-1296-19
Parts marked with à, ø, ◆ are included in the seal kits.			
Service Kit for Single Shaft Seal			
□	1	Service kit, EPDM	9611-92-2182
□	1	Service kit, NBR	9611-92-2183
□	1	Service kit, FPM	9611-92-2184
□	1	Service kit, PTFE	9611-92-2185
Service Kit for Flushed Shaft Seal			
○	1	Service kit, EPDM	9611-92-2190
○	1	Service kit, NBR	9611-92-2191
○	1	Service kit, FPM	9611-92-2192
○	1	Service kit, PTFE	9611-92-2193
Service Kit for Double Mechanical Shaft Seal			
◇	1	Service kit, EPDM	9911-92-2226
◇	1	Service kit, NBR	9611-92-2227
◇	1	Service kit, FPM	9611-92-2228
◇	1	Service kit, PTFE	9611-92-2229
Parts marked with à, ø, ◆, □, ○, ◇ are included in the service kits.			
Conversion Kit			
	1	Single to flushed shaft seal	9611-92-2042
		(The conversion kit contains Pos. 10, 40, 41, 42, 43, 44, 45)	
	1	Single to double mechanical shaft seal	9611-92-2175
		(The conversion kit contains Pos. 14, 15, 40a, 41, 42, 44, 50, 51, 52)	
	1	Flushed to double mechanical shaft seal	9611-92-2176
		(The conversion kit contains Pos. 14, 40a, 50, 51, 52)	
Accessories			
	1	Tool complete	9612-1371-01

Recommended Spare Parts: Service kits

Alfa Laval
8201 104th Street
Pleasant Prairie, WI 53158-0909
Telephone: 800-558-2060
Fax: 262-947-4724
www.us.flow.alfalaval.com