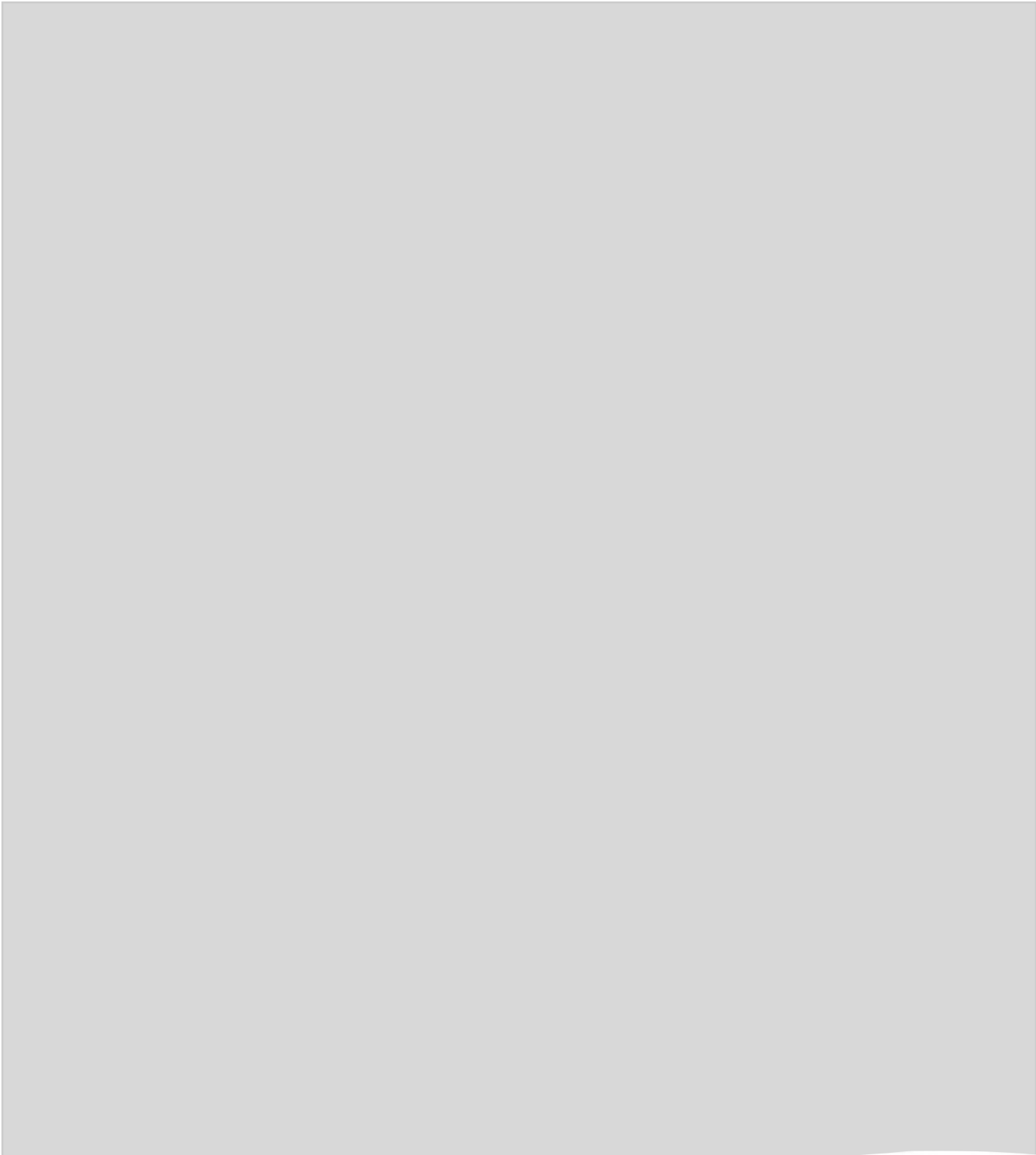
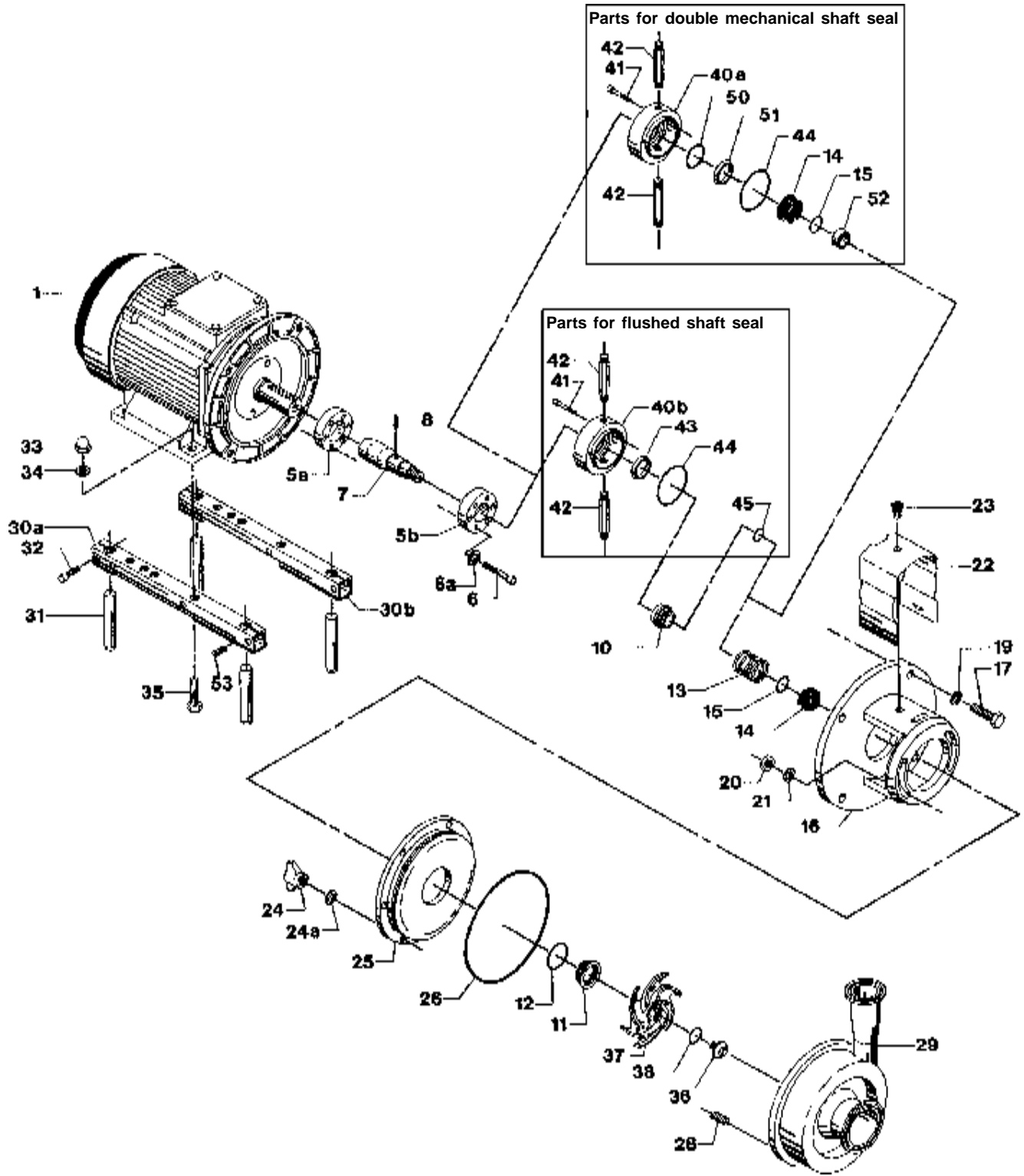


**Spare Parts List**

# **LKH-40 Centrifugal Pump**





# Centrifugal Pump LKH-40

Pos.	Qty.	Description	7.5-10 Hp Part No.	15-20 Hp Part No.	25-30 Hp Part No.
1	1	Motor			
5a	1	Compression ring with thread .....	9612-13-3606	9612-13-3603	9612-13-3603
5b	1	Compression ring without thread .....	9612-13-3706	9612-13-3703	9612-13-3703
6	6	Screw .....	9611-99-2338	9611-99-2338	9611-99-2504
6a	6	Washer .....	9611-99-3199	9611-99-3199	9611-99-3199
7	1	Stub shaft .....	9612-13-3202	9612-13-3302	9612-13-3302
8	1	Connex pin .....	9611-99-0622	9611-99-0622	9611-99-0622
10	1	Drive ring - single shaft seal .....	9612-13-7701	9612-13-7701	9612-13-7701
	1	Drive ring - flush shaft seal .....	9612-13-9701	9612-13-9701	9612-13-9701
11a	1	Stationary seal ring, SC .....	9612-13-7901	9612-13-7901	9612-13-7901
12a	1	Stationary O-ring, EPDM (standard) .....	9611-99-2149	9611-99-2149	9611-99-2149
	1	Stationary O-ring, FPM .....	9611-99-2150	9611-99-2150	9611-99-2150
	1	Stationary O-ring, NBR .....	9611-99-2151	9611-99-2151	9611-99-2151
	1	Stationary O-ring, PTFE .....	9611-99-2152	9611-99-2152	9611-99-2152
13a	1	Spring .....	9612-13-7601	9612-13-7601	9612-13-7601
14a	1	Rotating seal ring, Carbon .....	9612-13-6401	9612-13-6401	9612-13-6401
	1	Rotating seal ring, SC .....	9612-13-6402	9612-13-6402	9612-13-6402
	2	Rotating seal ring, Carbon .....	9612-13-6401	9612-13-6401	9612-13-6401
	2	Rotating seal ring, SC .....	9612-13-6402	9612-13-6402	9612-13-6402
15a	1	Rotating O-ring, EPDM (standard) .....	9611-99-2145	9611-99-2145	9611-99-2145
	1	Rotating O-ring, FPM .....	9611-99-2146	9611-99-2146	9611-99-2146
	1	Rotating O-ring, NBR .....	9611-99-2147	9611-99-2147	9611-99-2147
	1	Rotating O-ring, PTFE .....	9611-99-2148	9611-99-2148	9611-99-2148
	2	Rotating O-ring, EPDM (standard) .....	9611-99-2145	9611-99-2145	9611-99-2145
	2	Rotating O-ring, FPM .....	9611-99-2146	9611-99-2146	9611-99-2146
	2	Rotating O-ring, NBR .....	9611-99-2147	9611-99-2147	9611-99-2147
	2	Rotating O-ring, PTFE .....	9611-99-2148	9611-99-2148	9611-99-2148
16	1	Adaptor .....	9612-13-5912	9612-13-5913	9612-13-5918
17	4	Adaptor screw .....	881-30173	881-30173	881-30173
19	4	Adaptor spring washer .....	881-29835	881-29835	881-29835
20	2	Adaptor nut .....	9611-99-0353	9611-99-0353	9611-99-0353
21	2	Washer .....	9611-99-2559	9611-99-2559	9611-99-2559
22	1	Safety guard .....	9612-13-1107	9612-13-1108	9612-13-1108
23	1	Safety guard screw .....	31460-1309-1	31460-1309-1	31460-1309-1
24	6	Wingnuts .....	9611-41-6892	9611-41-6892	9611-41-6892
24a	6	Spring washer .....	9611-99-1888	9611-99-1888	9611-99-1888
25	1	Back plate polished .....	9612-13-8418	9612-13-8418	9612-13-8418
26	1	Joint ring, EPDM (standard) .....	9611-99-2171	9611-99-2171	9611-99-2171
	1	Joint ring, FPM .....	9611-99-2172	9611-99-2172	9611-99-2172
	1	Joint ring, NBR .....	9611-99-2173	9611-99-2173	9611-99-2173
	1	Joint ring, PTFE .....	9611-99-2174	9611-99-2174	9611-99-2174
28	6	Stud bolt .....	9611-99-2169	9611-99-2169	9611-99-2169
29	1	Pump casing .....	9612-12-9101	9612-12-9101	9612-12-9101
30a-35	1	Leg assembly .....	31460-1301-4	31460-1302-3	31460-1302-4
36	1	Impeller screw .....	9612-13-9603	9612-13-9603	9612-13-9603
37	1	Impeller polished, full .....	9612-13-1806	9612-13-1806	9612-13-1806
38	1	Impeller O-ring, EPDM (standard) .....	9611-99-2145	9611-99-2145	9611-99-2145
	1	Impeller O-ring, FPM .....	9611-99-2146	9611-99-2146	9611-99-2146
	1	Impeller O-ring, NBR .....	9611-99-2147	9611-99-2147	9611-99-2147
	1	Impeller O-ring, PTFE .....	9611-99-2148	9611-99-2148	9611-99-2148
40a	1	Seal housing - double mechanical .....	9612-13-3902	9612-13-3902	9612-13-3902
40b	1	Seal housing - flushed .....	9612-13-3901	9612-13-3901	9612-13-3901
41	2	Screw for seal housing .....	9611-99-0203	9611-99-0203	9611-99-0203
42	2	Water flush pipe .....	31457-0056-1	31457-0056-1	31457-0056-1
43	1	Lip seal .....	31446-0088-2	31446-0088-2	31446-0088-2
44	1	Seal housing O-ring .....	9611-99-2153	9611-99-2153	9611-99-2153
45	1	Drive ring O-ring .....	9611-99-2145	9611-99-2145	9611-99-2145
50	1	O-ring .....	9611-99-2156	9611-99-2156	9611-99-2156
51	1	Sec. stationary seal ring, SC .....	9612-13-8302	9612-13-8302	9612-13-8302
52	1	Spacer .....	9612-30-8901	9612-30-8901	9612-30-8901

Parts marked with a, ø, ♦ are included in the seal kits.

Parts marked with a, ø, ♦, □, ○, ◇ are included in the service kits.

**Recommended Spare Parts: Service kits**

## Alfa Laval

Pos.	Qty.	Description	1-40 Hp Part No.
<b>Seal Kit for Single Shaft Seal</b>			
à	1	C/SC seal kit, EPDM .....	9612-1296-09
à	1	C/SC seal kit, NBR .....	9612-1296-10
à	1	C/SC seal kit, FPM .....	9612-1296-11
à	1	SC/SC seal kit, EPDM .....	9612-1296-05
à	1	SC/SC seal kit, NBR .....	9612-1296-06
à	1	SC/SC seal kit, FPM .....	9612-1296-07

<b>Seal Kit for Flushed Shaft Seal</b>			
ø	1	C/SC seal kit, EPDM .....	9612-1296-09
ø	1	C/SC seal kit, NBR .....	9612-1296-10
ø	1	C/SC seal kit, FPM .....	9612-1296-11
ø	1	SC/SC seal kit, EPDM .....	9612-1296-05
ø	1	SC/SC seal kit, NBR .....	9612-1296-06
ø	1	SC/SC seal kit, FPM .....	9612-1296-07

<b>Seal Kit for Double Mechanical Shaft Seal</b>			
◆	1	C/SC seal kit, EPDM .....	9612-1296-13
◆	1	C/SC seal kit, NBR .....	9612-1296-14
◆	1	C/SC seal kit, FPM .....	9612-1296-15
◆	1	SC/SC seal kit, EPDM .....	9612-1296-17
◆	1	SC/SC seal kit, NBR .....	9612-1296-18
◆	1	SC/SC seal kit, FPM .....	9612-1296-19

Parts marked with à, ø, ◆ are included in the seal kits.

<b>Service Kit for Single Shaft Seal</b>			
□	1	Service kit, EPDM .....	9611-92-2130
□	1	Service kit, NBR .....	9611-92-2131
□	1	Service kit, FPM .....	9611-92-2132
□	1	Service kit, PTFE .....	9611-92-2133

<b>Service Kit for Flushed Shaft Seal</b>			
○	1	Service kit, EPDM .....	9611-92-2134
○	1	Service kit, NBR .....	9611-92-2135
○	1	Service kit, FPM .....	9611-92-2136
○	1	Service kit, PTFE .....	9611-92-2137

<b>Service Kit for Double Mechanical Shaft Seal</b>			
◇	1	Service kit, EPDM .....	9911-92-2234
◇	1	Service kit, NBR .....	9611-92-2235
◇	1	Service kit, FPM .....	9611-92-2236
◇	1	Service kit, PTFE .....	9611-92-2237

Parts marked with à, ø, ◆, □, ○, ◇ are included in the service kits.

<b>Conversion Kits</b>			
1		Single to flushed shaft seal.....	9611-92-2042
		(The conversion kit contains Pos. 10, 40, 41, 42, 43, 44, 45)	
1		Single to double mechanical shaft seal .....	9611-92-2175
		(The conversion kit contains Pos. 14, 15, 40a, 41, 42, 44, 50, 51, 52)	
1		Flushed to double mechanical shaft seal .....	9611-92-2176
		(The conversion kit contains Pos. 14, 40a, 50, 51, 52)	

<b>Accessories</b>			
1		Tool complete .....	9612-1371-01

## Recommended Spare Parts: Service kit

Alfa Laval  
8201 104th Street  
Pleasant Prairie, WI 53158-0909  
Telephone: 800-558-2060  
Fax: 262-947-4724  
www.us.flow.alfalaval.com