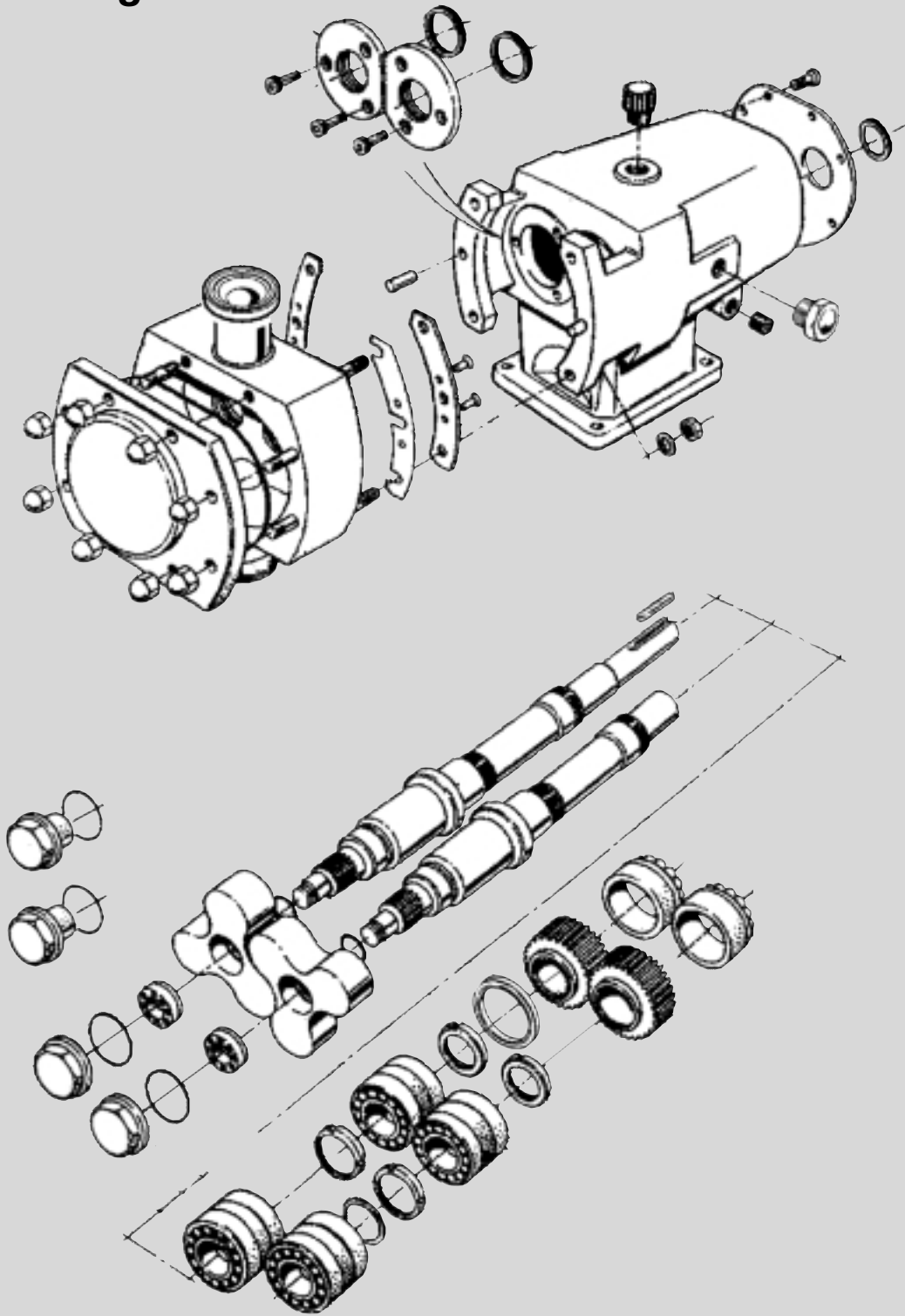
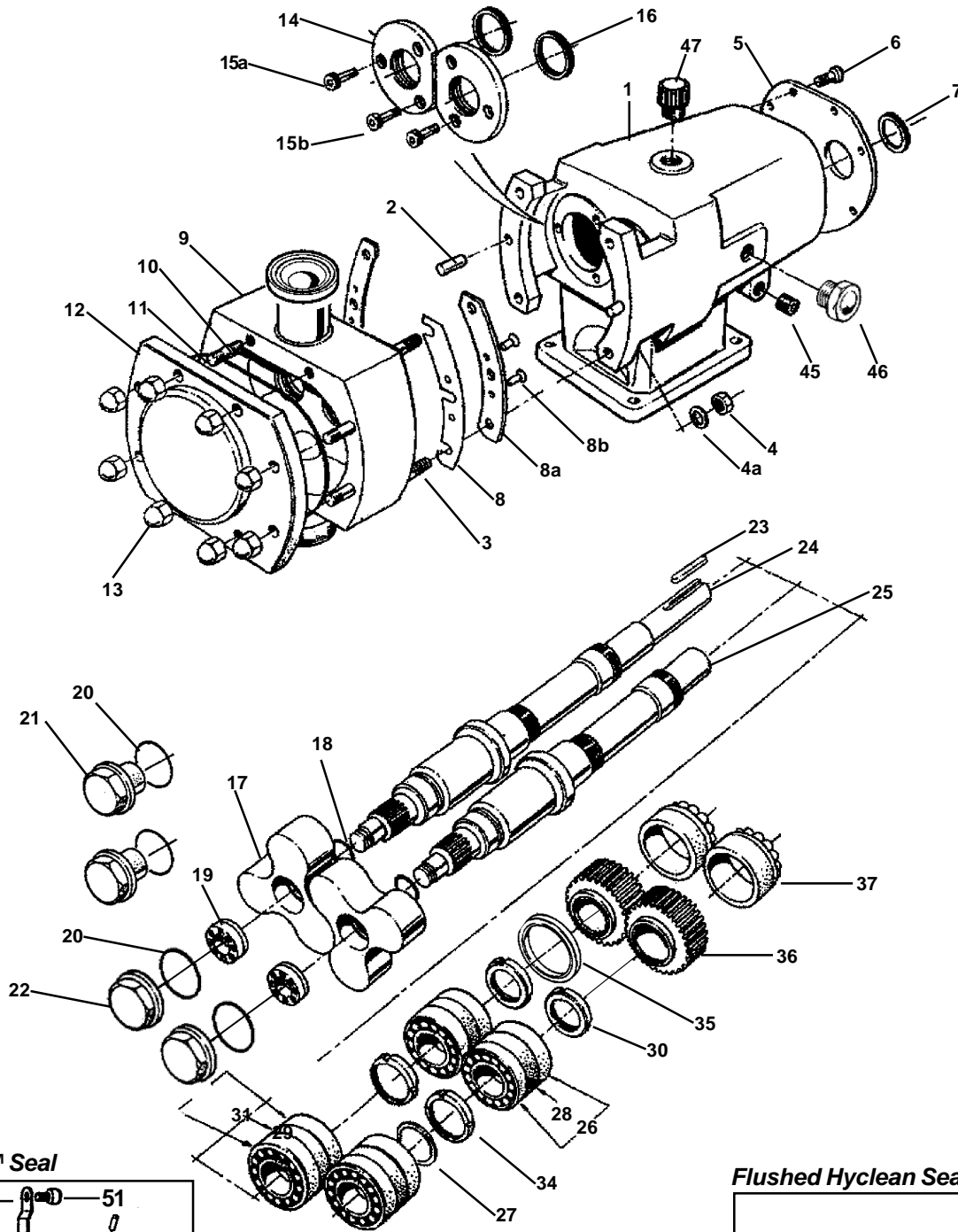


Spare Parts List

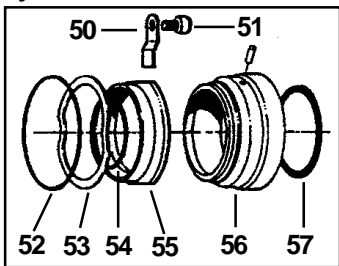
822/832 GHPD Positive Displacement Pump

Vertical Configuration

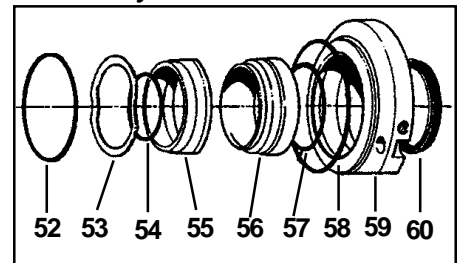




Hyclean™ Seal



Flushed Hyclean Seal



Positive Displacement Pump 822/832 GHPD (Vertical)

Pos.	Qty.	Description	822/832 Part No.
1	1	Gear case	5220-307
2	2	Dowel	5170-011
3	4	Stud, Rc/gear case	6350-139
4	4	Nut, Rc/gear case	5330-002
4a	4	Washer, Rc/gear case	6400-041
5	1	Gear case cover	5120-145
6	6	Screw, gear case cover	5990-030
7	1	Lip seal, Nitrile	5310-039
	1	Lip seal, FPM	5310-072
8	2	Shim set, SS	6150-161
	2	Shim set, Plastic	6150-160
8a	2	Shim retainer	6150-266
8b	4	Screw	6000-010
9	1	Rotor case, 822	31498-9219-1501
	1	Rotor case, 832	31498-9220-3001
10	8	Stud front cover	6350-098
11	1	Front cover O-ring, Nitrile	1550-277
	1	Front cover O-ring, FPM	883-1551-277
	1	Front cover O-ring, PTFE	1552-277
	1	Front cover O-ring, EPDM	883-1555-277
12	1	Front cover	314985130-316
13	8	Front cover nut	5340-022
14	2	Retainer (front bearing)	5560-037
15a	4	Retainer screw	5990-030
15b	2	Screw (Long)	5990-017
16	2	Lip seal, Nitrile	5310-044
	2	Lip seal, FPM	5310-077
18	2	Rotor O-ring, Nitrile	1550-143
	2	Rotor O-ring, FPM	883-1551-143
	2	Rotor O-ring, PTFE	1558-143
	2	Rotor O-ring, EPDM	883-1555-143
19	2	Torque locking assembly, rotor	5615-014
20	2	Rotor nut O-ring, Nitrile	1550-143
	2	Rotor nut O-ring, FPM	883-1551-143
	2	Rotor nut O-ring, PTFE	1558-143
	2	Rotor nut O-ring, EPDM	883-1555-143
21	1	Rotor nut 822 R.H.	31498-5900-171
	1	Rotor nut 822 L.H.	31498-5990-191
22	1	Rotor nut 832 R.H.	5900-172
	1	Rotor nut 832 L.H.	5990-192
23	1	Drive key	5270-013
24	1	Drive shaft, SS	31498-6110-708
	1	Drive shaft, Duplex	31498-6110-709
25	1	Lay shaft, SS	31498-6100-710
	1	Lay shaft, Duplex	31498-6100-711
26	4	Rear bearing	5080-017
27	1	Shaft spacer	5670-068
28	2	Rear bearing spacer	5670-051
29	2	Front bearing spacer	5670-053
30	2	Rear nut, notched	5340-045
31	4	Front bearing	5080-019
34	2	Front nut, notched	5340-046
35	1	Lip seal, Nitrile	5310-046
	1	Lip seal, FPM	5310-069
36	2	Timing gear, hard	5210-035
37	2	Torque locking assembly	5615-005
45	1	Drain plug	1660-008
46	2	Sight glass	5480-001
	2	Sight glass washer	31499-5916-1
47	2	Oil filler/breather plug	31491-0052-1

Recommended Spare Parts: Pos. 7, 11, 16, 18, 20, 26, 31, 35 and shaft seals

Alfa Laval

Pos.	Qty.	Description	822 Part No.	832 Part No.
Trilobe Rotors (SS)				
17	2	Class "A"	31498-5740-2461	31498-5740-3531
	2	Class "B"	31498-5740-2462	31498-5740-3532
	2	Class "C"	31498-5740-2463	31498-5740-3533
	2	High pressure class "A"	31498-5740-2464	31498-5740-3534
	2	High pressure class "B"	31498-5740-2465	31498-5740-3535
	2	High pressure class "C"	31498-5740-2466	31498-5740-3536

Bilobe rotors (SS) (Bilobe rotors must be ordered in pairs)

17	1	Class "A" Left	31498-5741-12461	31498-5741-13531
	1	Class "A" Right	31498-5741-22461	31498-5741-23531
	1	Class "B" Left	31498-5741-12462	31498-5741-13532
	1	Class "B" Right	31498-5741-22462	31498-5741-23532
	1	Class "C" Left	31498-5741-12463	31498-5741-13533
	1	Class "C" Right	31498-5741-22463	31498-5741-23533
	1	High pressure class "A" Left	31498-5741-12464	31498-5741-13534
	1	High pressure class "A" Right	31498-5741-22464	31498-5741-23534
	1	High pressure class "B" Left	31498-5741-12465	31498-5741-13535
	1	High pressure class "B" Right	31498-5741-22465	31498-5741-23535
	1	High pressure class "C" Left	31498-5741-12466	31498-5741-13536
	1	High pressure class "C" Right	31498-5741-22466	31498-5741-23536

Pos.	Qty.	Description	822/832 Part No.
------	------	-------------	---------------------

Hyclean™ Seal

50	1	Clip	31495-5087-053
51	1	Screw	5990-064
52Δ	1	Rotor case O-ring, EPDM	883-1555-339
	1	Rotor case O-ring, Nitrile	1550-339
	1	Rotor case O-ring, FPM	883-1551-339
53Δ	1	Wave spring	31498-0508-1
54Δ	1	Shaft O-ring, EPDM	883-1555-230
	1	Shaft O-ring, Nitrile	5380-246
	1	Shaft O-ring, FPM	883-1551-230
55Δ	1	Stationary face, Carbon	31498-0501-2
	1	Stationary face, Silicon Carbide	31498-0501-3
56Δ	1	Rotary face, SS	31498-0506-1
	1	Rotary face, Silicon Carbide	31498-0506-3
57Δ	1	Washer, Nitrile	6400-079
	1	Washer, FPM	6400-080
58	1	Flush housing O-ring, Nitrile	5380-167
	1	Flush housing O-ring, FPM	5380-292
59	1	Flush housing	31498-5265-411
60	1	Lip seal, Nitrile	Not available
	1	Lip seal, FPM	5310-068
not	2	Stud	6350-105
listed	2	Nut	5330-000
	2	Plug	5470-004

Hyclean Seal Kit

Δ	C/SS, Nitrile	31498-7600-1061
Δ	C/SS, FPM	31498-7600-1062
Δ	C/SS, EPDM	31498-7600-1065
Δ	C/SC, Nitrile	31498-7600-1861
Δ	C/SC, FPM	31498-7600-1862
Δ	C/SC, EPDM	31498-7600-1865
Δ	SC/SC, Nitrile	31498-7600-2061
Δ	SC/SC, FPM	31498-7600-2062
Δ	SC/SC, EPDM	31498-7600-2065

Parts marked with Δ are included in the Hyclean seal kit.

Note! Two seal kits are required per pump.

Recommended Spare Parts: Pos. 7, 11, 16, 18, 20, 26, 31, 35 and shaft seals

Alfa Laval