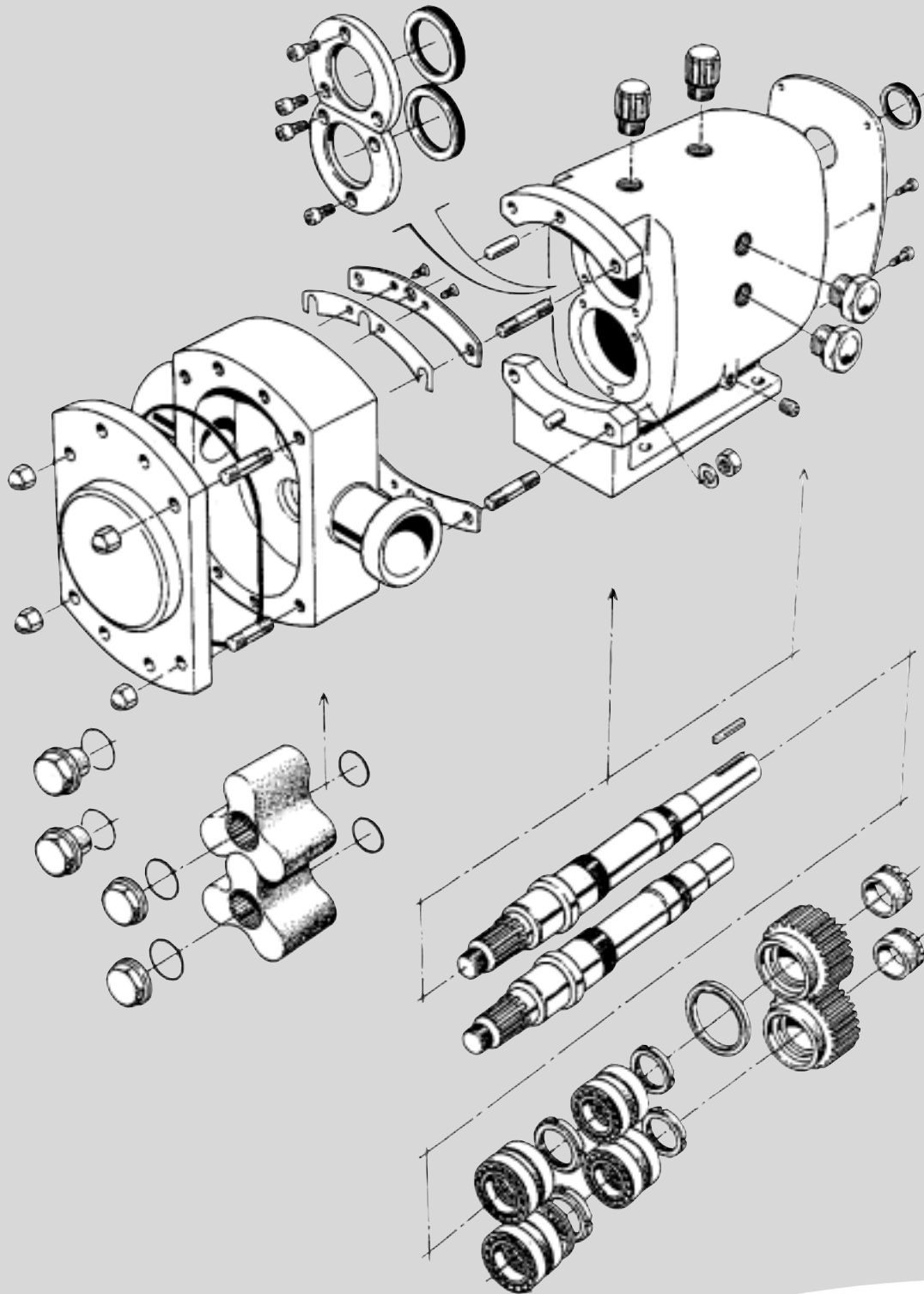
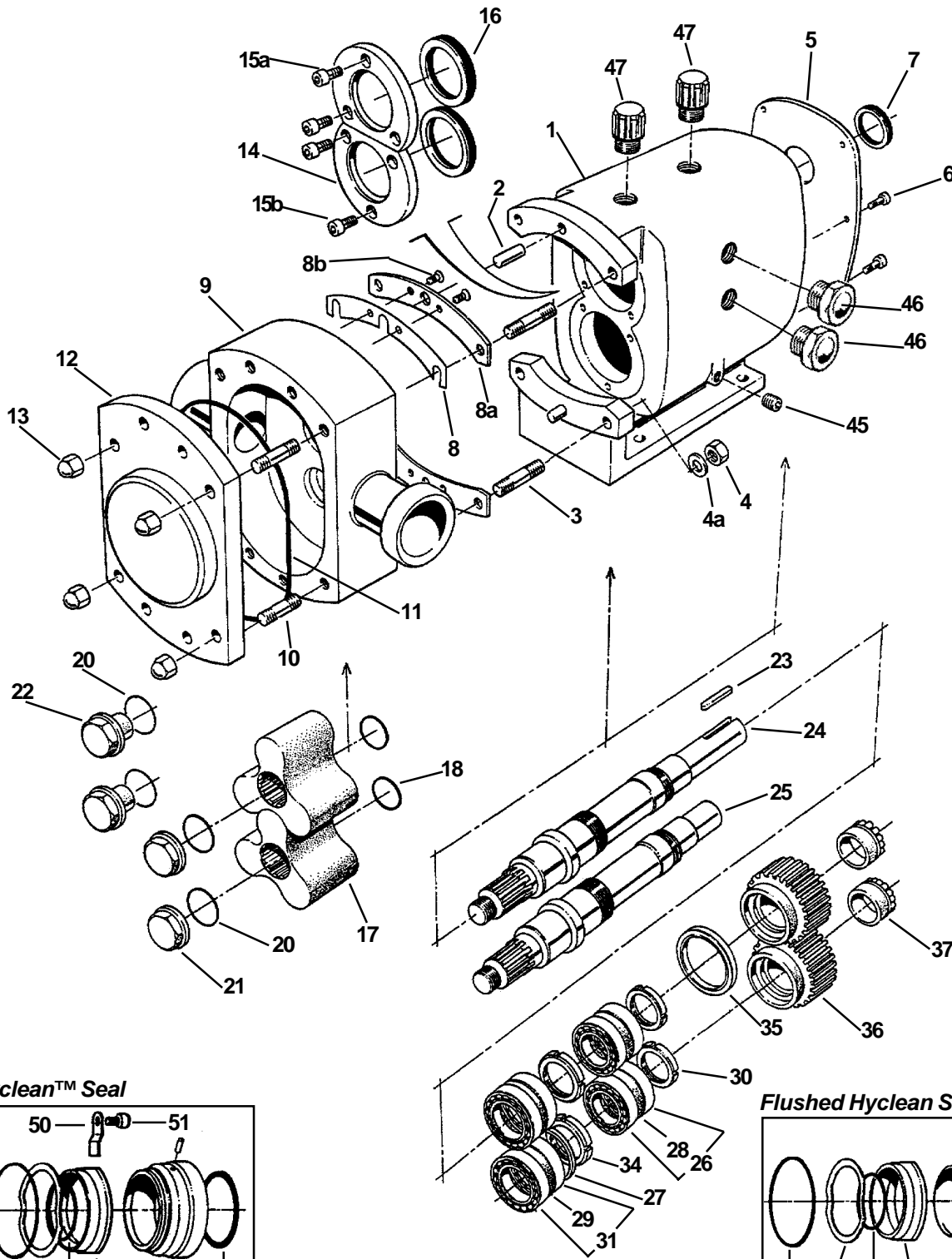


**Spare Parts List**

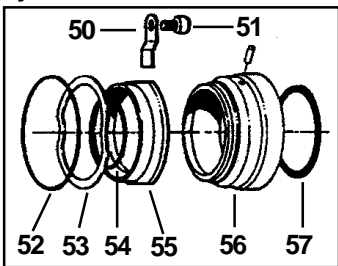
**722/732 GHPD Positive Displacement Pump**

*Horizontal Configuration*

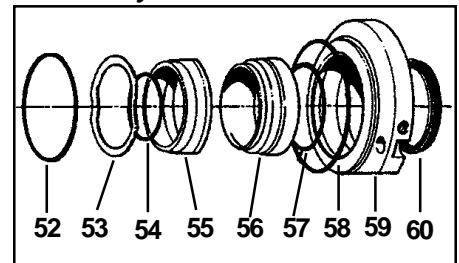




**Hyclean™ Seal**



**Flushed Hyclean Seal**



# Positive Displacement Pump 722/732 GHPD (Horizontal)

Pos.	Qty.	Description	722/732 Part No.
1	1	Gear case .....	5220-081
2	2	Dowel .....	5170-010
3	4	Stud, RC-gear case .....	6350-138
4	4	Nut, RC-gear case .....	5330-001
4a	4	Washer .....	6400-038
5	1	Gear case cover .....	5120-048
6	6	Screw .....	5990-030
7	1	Lip seal, Nitrile .....	5310-012
	1	Lip seal, FPM .....	5310-082
8	1	Shim set, SS .....	6150-157
	1	Shim set, Plastic .....	6150-158
8a	2	Shim retainer .....	6150-275
8b	4	Screws .....	6000-010
9	1	Rotor case, 722 .....	9217-1491
	1	Rotor case, 732 .....	9218-1501
10	8	Stud front cover .....	6350-095
11	1	Front cover O-ring, Nitrile .....	883-1550-273
	1	Front cover O-ring, FPM .....	883-1551-273
	1	Front cover O-ring, PTFE .....	1552-273
	1	Front cover O-ring, EPDM .....	883-1555-273
12	1	Front cover .....	31497-5130-315
13	8	Front cover nut .....	5340-047
14	2	Retainer (front bearing) .....	5560-036
15a	4	Retainer screw .....	5990-030
15b	2	Screw (Long) .....	5990-017
16	2	Lip seal, Nitrile .....	5310-043
	2	Lip seal, FPM .....	5310-076
18	2	Rotor O-ring, Nitrile .....	883-1550-135
	2	Rotor O-ring, FPM .....	883-1551-135
	2	Rotor O-ring, PTFE .....	1552-135
	2	Rotor O-ring, EPDM .....	883-1555-135
20	2	Rotor nut O-ring, Nitrile .....	883-1550-133
	2	Rotor nut O-ring, FPM .....	883-1551-133
	2	Rotor nut O-ring, PTFE .....	1552-133
	2	Rotor nut O-ring, EPDM .....	883-1555-133
21	1	Rotor nut, 722 R.H. ....	31497-5900-169
22	1	Rotor nut, 722 L.H. ....	31497-5900-189
21	1	Rotor nut, 732 R.H. ....	31497-5900-170
22	1	Rotor nut, 732 L.H. ....	31497-5900-190
23	1	Drive key .....	5270-013
24	1	Drive shaft, SS .....	31497-6110-659
	1	Drive shaft, Duplex .....	31497-6110-663
25	1	Lay shaft, SS .....	31497-6100-667
	1	Lay shaft, Duplex .....	31497-6100-671
26	4	Rear bearing .....	5080-015
27	1	Shaft spacer .....	31497-5670-067
28	2	Rear bearing spacer .....	5670-049
29	2	Front bearing spacer .....	5670-051
30	2	Rear nut .....	5340-035
31	4	Front bearing .....	5080-017
34	2	Front nut .....	5340-045
35	1	Gearcase lipseal nitrile .....	5310-045
36	2	Timing gear, hard .....	5210-034
37	2	Torque locking assembly .....	5615-005
45	1	Drain plug .....	1660-008
46	2	Sight level glass .....	5480-001
47	2	Filler plug .....	31491-0052-1
	2	Filler plug washer .....	31499-5916-1

Recommended Spare Parts: Pos. 7, 11, 16, 18, 20, 26, 31 and shaft seals

**Alfa Laval**

Pos.	Qty.	Description	722 Part No.	732 Part No.
<b>Trilobe Rotors (SS)</b>				
17	2	Class "A" .....	31497-5740-1161	31497-5740-1681
	2	Class "B" .....	31497-5740-1162	31497-5740-1682
	2	Class "C" .....	31497-5740-1163	31497-5740-1683
	2	High pressure class "A" .....	31497-5740-1164	31497-5740-1684
	2	High pressure class "B" .....	31497-5740-1165	31497-5740-1685
	2	High pressure class "C" .....	31497-5740-1166	31497-5740-1686
<b>Bilobe rotors (SS) (Bilobe rotors must be ordered in pairs)</b>				
17	1	Class "A" Left .....	31497-5761-11161	31497-5761-11681
	1	Class "A" Right .....	31497-5761-21161	31497-5761-21681
	1	Class "B" Left .....	31497-5761-11162	31497-5761-11682
	1	Class "B" Right .....	31497-5761-21162	31497-5761-21682
	1	Class "C" Left .....	31497-5761-11163	31497-5761-11683
	1	Class "C" Right .....	31497-5761-21163	31497-5761-21683
	1	High pressure class "A" Left .....	31497-5761-11164	31497-5761-11684
	1	High pressure class "A" Right .....	31497-5761-21164	31497-5761-21684
	1	High pressure class "B" Left .....	31497-5761-11165	31497-5761-11685
	1	High pressure class "B" Right .....	31497-5761-21165	31497-5761-21685
	1	High pressure class "C" Left .....	31497-5761-11166	31497-5761-11686
	1	High pressure class "C" Right .....	31497-5761-21166	31497-5761-21686

Pos.	Qty.	Description	722/732 Part No.
<b>Hyclean™ Seal</b>			
50	1	Clip .....	31495-5087-053
51	1	Screw .....	5990-064
52Δ	1	Rotor case O-ring, EPDM .....	31497-5001-5
	1	Rotor case O-ring, Nitrile .....	31497-5001-1
	1	Rotor case O-ring, FPM .....	883-1551-335
53Δ	1	Wave spring .....	31497-0508-1
54Δ	1	Shaft O-ring, EPDM .....	883-1555-137
	1	Shaft O-ring, Nitrile .....	883-1550-137
	1	Shaft O-ring, FPM .....	883-1551-137
55Δ	1	Stationary face, Carbon .....	31497-0501-2
	1	Stationary face, Silicon Carbide .....	31497-0501-3
56Δ	1	Rotary face, SS .....	31497-0506-1
	1	Rotary face, Silicon Carbide .....	31497-0506-3
57Δ	1	Washer, Nitrile .....	6400-072
	1	Washer, FPM .....	6400-076
58	1	Flush housing O-ring, EPDM .....	5380-409
	1	Flush housing O-ring, Nitrile .....	5380-406
	1	Flush housing O-ring, FPM .....	5380-407
59	1	Flush housing .....	883-41925
60	1	Lip seal, Nitrile .....	5310-021
	1	Lip seal, FPM .....	5310-052
not listed	2	Housing screw .....	5990034
	2	Plug .....	5470004

<b>Hyclean Seal Kit</b>			
Δ		C/SS, Nitrile .....	31497-7600-1051
Δ		C/SS, FPM .....	31497-7600-1052
Δ		C/SS, EPDM .....	31497-7600-1055
Δ		C/SC, Nitrile .....	31497-7600-1851
Δ		C/SC, FPM .....	31497-7600-1852
Δ		C/SC, EPDM .....	31497-7600-1855
Δ		SC/SC, Nitrile .....	31497-7600-2051
Δ		SC/SC, FPM .....	31497-7600-2052
Δ		SC/SC - EPDM .....	31497-7600-2055

Parts marked with Δ are included in the Hyclean seal kit.

Note! Two seal kits are required per pump.

**Recommended Spare Parts: Pos. 7, 11, 16, 18, 20, 26, 31 and shaft seals**

# Alfa Laval