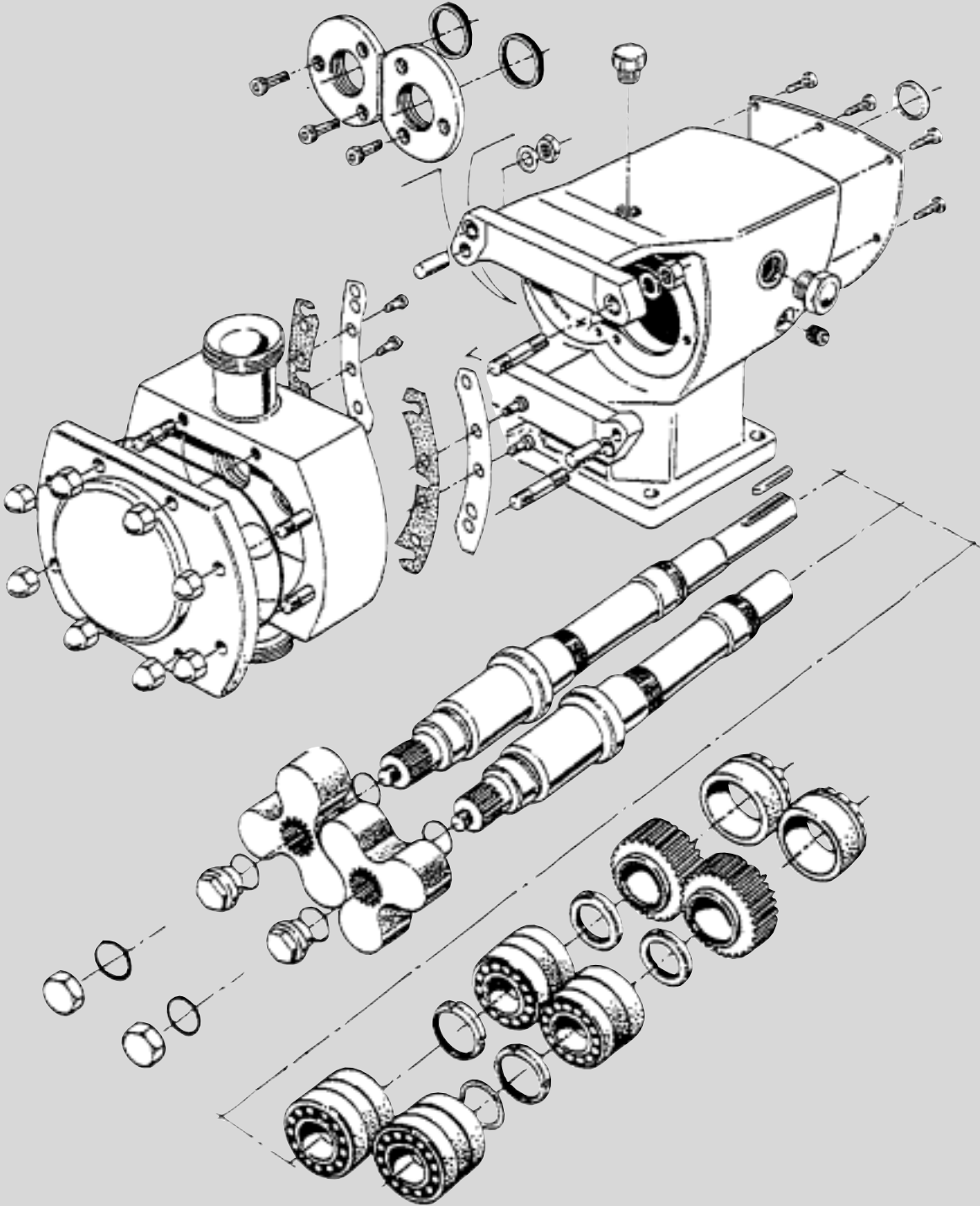
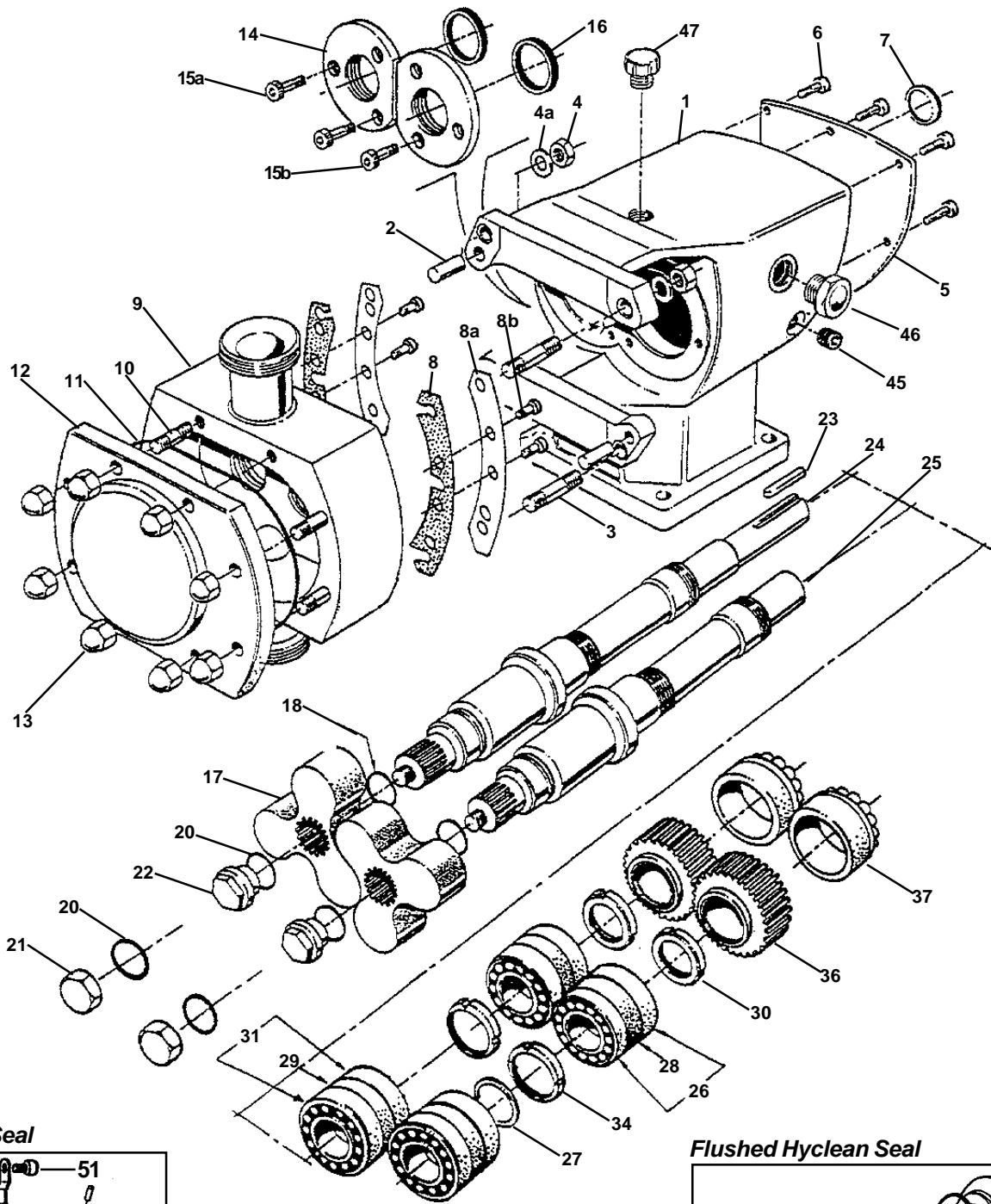


**Spare Parts List**

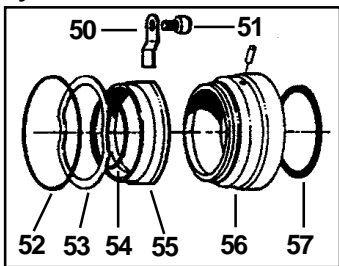
**622/632 GHPD Positive Displacement Pump**

*Vertical Configuration*

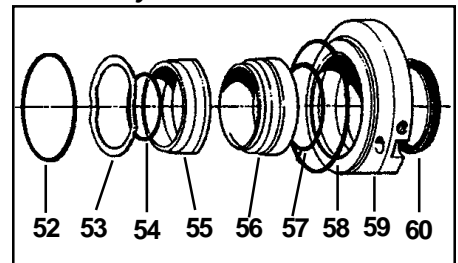




**Hyclean™ Seal**



**Flushed Hyclean Seal**



# Positive Displacement Pump 622/632 GHPD (Vertical)

Pos.	Qty.	Description	622/632 Part No.
1	1	Gear case .....	31496-5220-236
2	2	Dowel .....	5170-010
3	4	Stud, RC-gear case .....	6350-138
4	4	Nut, RC-gear case .....	5330-001
4a	4	Washer .....	6400-038
5	1	Gear case cover .....	31496-5120-059
6	6	Screw .....	5990-030
7	1	Lip seal, NIT .....	5310-048
	1	Lip seal, FPM .....	5310-081
8	1	Shim set, SS .....	31496-6150-155
	1	Shim set, Plas .....	6150-156
8a	2	Shim retainer .....	6150-274
8b	4	Screws .....	6000-010
9	1	Rotor case, HC 622 .....	31496-9215-0861
	1	Rotor case, HC 632 .....	31496-9216-1495
10	8	Stud - front cover .....	6350-104
11	1	Front cover O-ring, NIT .....	883-1550-265
	1	Front cover O-ring, FPM .....	883-1551-265
	1	Front cover O-ring, PTFE .....	1552-265
	1	Front cover O-ring, EP .....	883-1555-265
12	1	Front cover .....	31496-5130-314
13	8	Front cover nuts .....	5340-047
14	2	Retainer (front bearing) .....	5560-034
15a	4	Retainer screw .....	5990-030
15b	2	Screw (Long) .....	5990-017
16	2	Lip seal, NIT .....	5310-041
	2	Lip seal, FPM .....	5310-074
18	2	Rotor O-ring, NIT .....	883-1550-030
	2	Rotor O-ring, FPM .....	883-1551-030
	2	Rotor O-ring, PTFE .....	1552-030
	2	Rotor O-ring, EP .....	883-1555-030
20	2	Rotor nut O-ring, NIT .....	883-1550-029
	2	Rotor nut O-ring, FPM .....	883-1551-029
	2	Rotor nut O-ring, PTFE .....	1552-029
	2	Rotor nut O-ring, EP .....	883-1555-029
21	1	Rotor nut 622 R.H. .....	31496-5900-167
22	1	Rotor nut 622 L.H. .....	31496-5900-187
21	1	Rotor nut 632 R.H. .....	31496-5900-168
22	1	Rotor nut 632 L.H. .....	31496-5900-188
23	1	Drive key .....	5270-011
24	1	Drive shaft HC SS .....	31496-6110-658
	1	Drive shaft HC DX .....	31496-6110-662
25	1	Lay shaft HC SS .....	31496-6100-666
	1	Lay shaft HC DX .....	31496-6100-670
26	4	Rear bearing .....	5080-014
27	1	Shaft spacer .....	31496-5670-065
28	2	Rear bearing spacer .....	5670-050
29	2	Front bearing spacer .....	5670-049
30	2	Rear nut .....	5340-043
31	4	Front bearing .....	5080-015
34	2	Front nut .....	5340-043
36	2	Timing gear - std. ....	31496-5210-033
	2	Timing gear - hard .....	31496-5210-039
37	2	Torque locking assembly .....	5615-000
45	1	Drain plug .....	1660-008
46	1	Sight level glass .....	5480-001
47	1	Filler plug .....	31491-0052-1
	1	Filler Plug Washer .....	31499-5916-1

Recommended Spare Parts: Pos. 7, 11, 16, 18, 20, 26, 31 and shaft seals

**Alfa Laval**

Pos.	Qty.	Description	622 Part No.	632 Part No.
<b>Trilobe Rotors (SS)</b>				
17	2	Class "A" .....	31496-5740-0551	31496-5740-0791
	2	Class "B" .....	31496-5740-0552	31496-5740-0792
	2	Class "C" .....	31496-5740-0553	31496-5740-0793
	2	High pressure class "A" .....	31496-5740-0554	31496-5740-0794
	2	High pressure class "B" .....	31496-5740-0555	31496-5740-0795
	2	High pressure class "C" .....	31496-5740-0556	31496-5740-0796

<b>Bilobe rotors (SS) (Bilobe rotors must be ordered in pairs)</b>				
17	1	Class "A" Left .....	31496-5741-110551	31496-5741-10791
	1	Class "A" Right .....	31496-5741-20551	31496-5741-20791
	1	Class "B" Left .....	31496-5741-10552	31496-5741-10792
	1	Class "B" Right .....	31496-5741-20552	31496-5741-20792
	1	Class "C" Left .....	31496-5741-10553	31496-5741-10793
	1	Class "C" Right .....	31496-5741-20553	31496-5741-20793
	1	High pressure class "A" Left .....	31496-5741-10554	31496-5741-10794
	1	High pressure class "A" Right .....	31496-5741-20554	31496-5741-20794
	1	High pressure class "B" Left .....	31496-5741-10555	31496-5741-10795
	1	High pressure class "B" Right .....	31496-5741-20555	31496-5741-20795
	1	High pressure class "C" Left .....	31496-5741-10556	31496-5741-10796
	1	High pressure class "C" Right .....	31496-5741-20556	31496-5741-20796

Pos.	Qty.	Description	622/632 Part No.
<b>Hyclean™ Seal</b>			
50	1	Clip .....	31495-5087-053
51	1	Screw .....	5990-064
52Δ	1	Rotor case O-ring, EPDM .....	31496-5001-5
	1	Rotor case O-ring, NIT .....	31496-5001-1
	1	Rotor case O-ring, FPM .....	883-1551-332
53Δ	1	Wave spring .....	31496-0508-1
54Δ	1	Shaft O-ring, EPDM .....	883-1555-131
	1	Shaft O-ring, NIT .....	883-1550-131
	1	Shaft O-ring, FPM .....	883-1551-131
55Δ	1	Stationary face, Carbon .....	31496-0501-2
	1	Stationary face, SC .....	31496-0501-3
56Δ	1	Rotary face, SS .....	31496-0506-1
	1	Rotary face, SC .....	31496-0506-3
57Δ	1	Washer, NIT .....	6400-071
	1	Washer, FPM .....	6400-075
58	1	O-ring, EPDM .....	5380-405
	1	O-ring, NIT .....	5380-402
	1	O-ring, FPM .....	5380-403
59	1	Seal housing .....	31496-5265-390
60	1	Lip seal, NIT .....	5310-108
	1	Lip seal, FPM .....	5310-109
not listed	2	Housing screw .....	5990066
	2	Plug .....	5470006

<b>Hyclean Seal Kit</b>			
Δ		C/SS, NIT .....	31496-7600-1041
Δ		C/SS, FPM .....	31496-7600-1042
Δ		C/SS, EPDM .....	31496-7600-1045
Δ		C/SC, NIT .....	31496-7600-1841
Δ		C/SC, FPM .....	31496-7600-1842
Δ		C/SC, EPDM .....	31496-7600-1845
Δ		SC/SC, NIT .....	31496-7600-2041
Δ		SC/SC, FPM .....	31496-7600-2042
Δ		SC/SC, EPDM .....	31496-7600-2045

Parts marked with Δ are included in the Hyclean seal kit.

Note! Two seal kits are required per pump.

**Recommended Spare Parts: Pos. 7, 11, 16, 18, 20, 26, 31 and shaft seals**

Alfa Laval  
8201 104th Street  
Pleasant Prairie, WI 53158-0909  
Telephone: 800-558-2060  
Fax: 262-947-4724  
www.us.flow.alfalaval.com