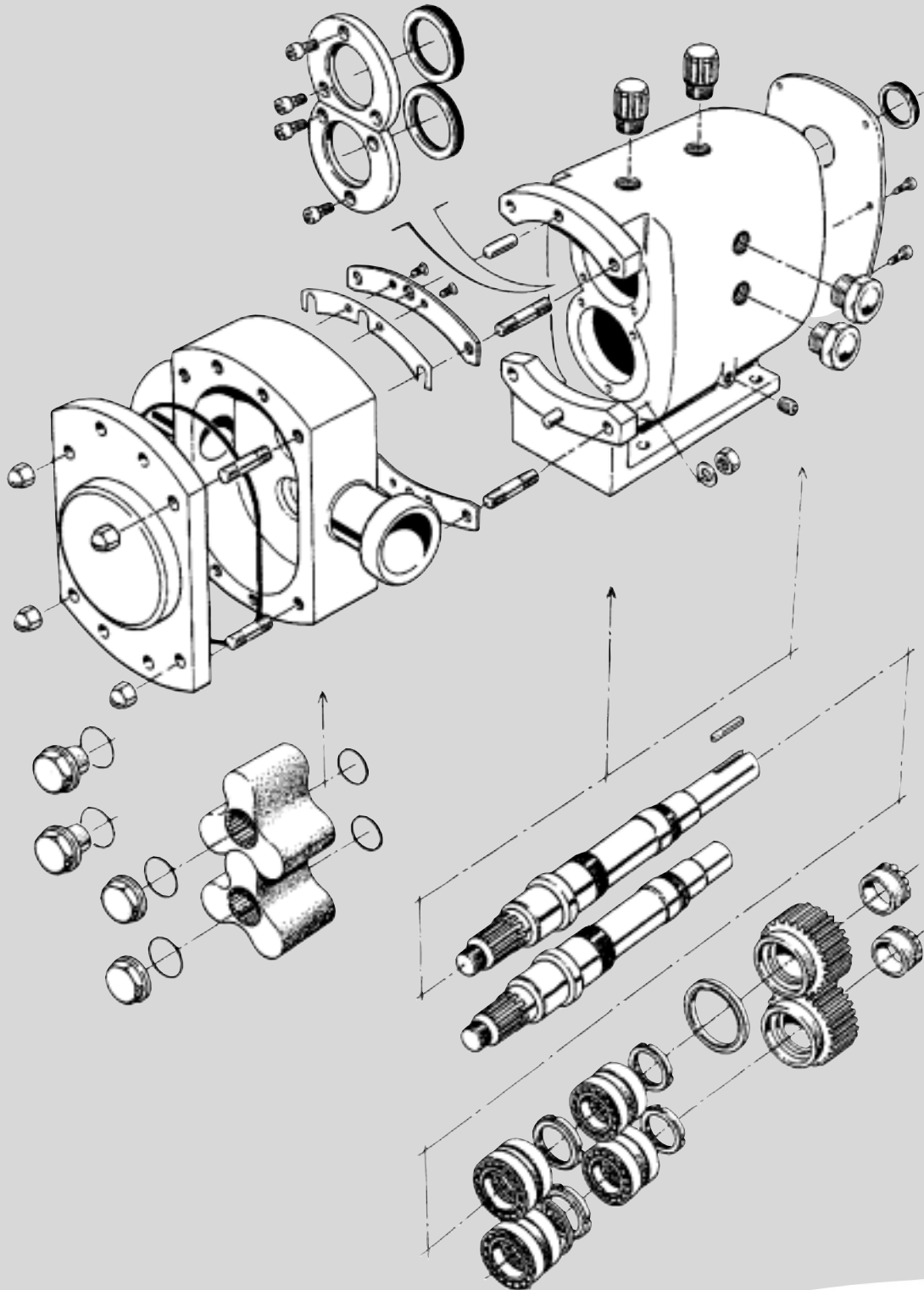
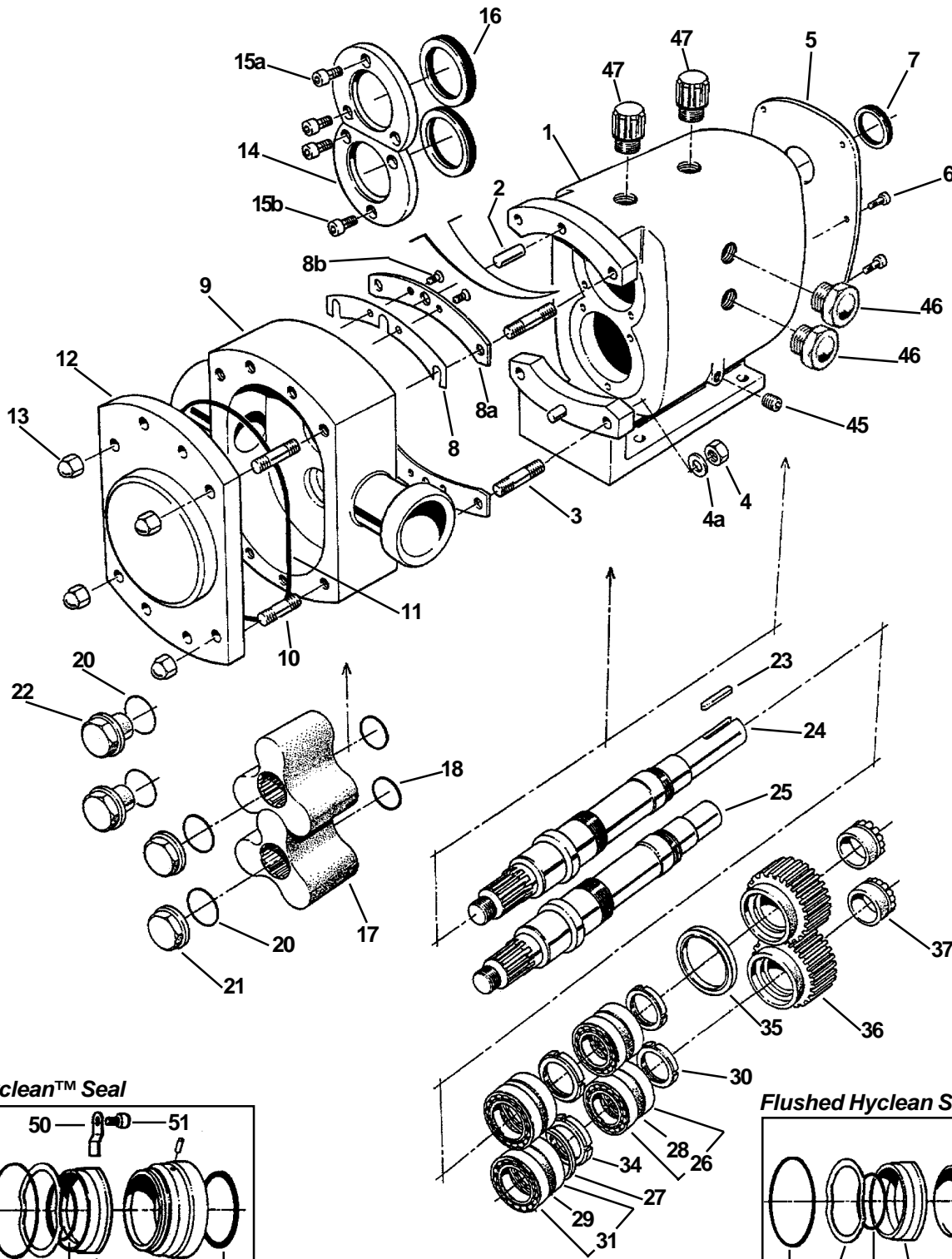


Spare Parts List

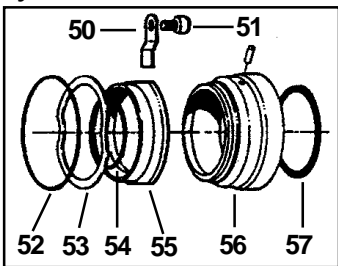
622/632 GHPD Positive Displacement Pump

Horizontal Configuration

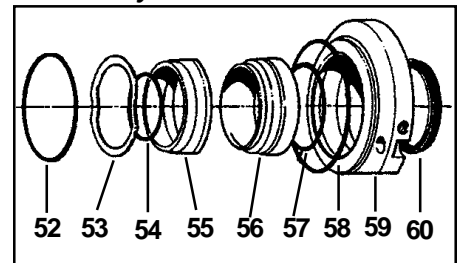




Hyclean™ Seal



Flushed Hyclean Seal



Positive Displacement Pump 622/632 GHPD (Horizontal)

Pos.	Qty.	Description	622/632 Part No.
1	1	Gear case	5220-077
2	2	Dowel	5170-010
3	4	Stud, RC-gear case	6350-138
4	4	Nut, RC-gear case	5330-001
4a	4	Washer	6400-038
5	1	Gear case cover	5120-047
6	6	Screw	5990-030
7	1	Lip seal, NIT	5310-048
	1	Lip seal, FPM	5310-081
8	1	Shim set, SS	31496-6150-155
	1	Shim set, Plas	6150-156
8a	2	Shim retainer	6150-274
8b	4	Screws	6000-010
9	1	Rotor case, HC 622	31496-9215-0861
	1	Rotor case, HC 632	31496-9216-1495
10	8	Stud - front cover	6350-104
11	1	Front cover O-ring, NIT	883-1550-265
	1	Front cover O-ring, FPM	883-1551-265
	1	Front cover O-ring, PTFE	1552-265
	1	Front cover O-ring, EP	883-1555-265
12	1	Front cover	31496-5130-314
13	8	Front cover nuts	5340-047
14	2	Retainer (front bearing)	5560-034
15a	4	Retainer screw	5990-030
15b	2	Screw (Long)	5990-017
16	2	Lip seal, NIT	5310-041
	2	Lip seal, FPM	5310-074
18	2	Rotor O-ring, NIT	883-1550-030
	2	Rotor O-ring, FPM	883-1551-030
	2	Rotor O-ring, PTFE	1552-030
	2	Rotor O-ring, EP	883-1555-030
20	2	Rotor nut O-ring, NIT	883-1550-029
	2	Rotor nut O-ring, FPM	883-1551-029
	2	Rotor nut O-ring, PTFE	1552-029
	2	Rotor nut O-ring, EP	883-1555-029
21	1	Rotor nut 622 R.H.	31496-5900-167
22	1	Rotor nut 622 L.H.	31496-5900-187
21	1	Rotor nut 632 R.H.	31496-5900-168
22	1	Rotor nut 632 L.H.	31496-5900-188
23	1	Drive key	5270-011
24	1	Drive shaft HC SS	31496-6110-658
	1	Drive shaft HC DX	31496-6110-662
25	1	Lay shaft HC SS	31496-6100-666
	1	Lay shaft HC DX	31496-6100-670
26	4	Rear bearing	5080-014
27	1	Shaft spacer	31496-5670-065
28	2	Rear bearing spacer	5670-050
29	2	Front bearing spacer	5670-049
30	2	Rear nut	5340-043
31	4	Front bearing	5080-015
34	2	Front nut	5340-035
35	1	Gearcase lipseal nitrile	5310-045
36	2	Timing gear - std.	31496-5210-033
	2	Timing gear - hard	31496-5210-039
37	2	Torque locking assembly	5615-000
45	1	Drain plug	1660-008
46	2	Sight level glass	5480-001
47	2	Filler plug	31491-0052-1
	2	Filler Plug Washer	31499-5916-1

Recommended Spare Parts: Pos. 7, 11, 16, 18, 20, 26, 31 and shaft seals

Alfa Laval

Pos.	Qty.	Description	622 Part No.	632 Part No.
Trilobe Rotors (SS)				
17		Class "A"	31496-5740-0551	31496-5740-0791
		Class "B"	31496-5740-0552	31496-5740-0792
		Class "C"	31496-5740-0553	31496-5740-0793
		High pressure class "A"	31496-5740-0554	31496-5740-0794
		High pressure class "B"	31496-5740-0555	31496-5740-0795
		High pressure class "C"	31496-5740-0556	31496-5740-0796

Bilobe rotors (SS) (Bilobe rotors must be ordered in pairs)

17		Class "A" Left	31496-5741-10551	31496-5741-10791
		Class "A" Right	31496-5741-20551	31496-5741-20791
		Class "B" Left	31496-5741-10552	31496-5741-10792
		Class "B" Right	31496-5741-20552	31496-5741-20792
		Class "C" Left	31496-5741-10553	31496-5741-10793
		Class "C" Right	31496-5741-20553	31496-5741-20793
		High pressure class "A" Left	31496-5741-10554	31496-5741-10794
		High pressure class "A" Right	31496-5741-20554	31496-5741-20794
		High pressure class "B" Left	31496-5741-10555	31496-5741-10795
		High pressure class "B" Right	31496-5741-20555	31496-5741-20795
		High pressure class "C" Left	31496-5741-10556	31496-5741-10796
		High pressure class "C" Right	31496-5741-20556	31496-5741-20796

Pos.	Qty.	Description	622/632 Part No.
Hyclean™ Seal			
50	1	Clip	31495-5087-053
51	1	Screw	5990-064
52Δ	1	Rotor case O-ring, EPDM	31496-5001-5
	1	Rotor case O-ring, NIT	31496-5001-1
	1	Rotor case O-ring, FPM	883-1551-332
53Δ	1	Wave spring	31496-0508-1
54Δ	1	Shaft O-ring, EPDM	883-1555-131
	1	Shaft O-ring, NIT	883-1550-131
	1	Shaft O-ring, FPM	883-1551-131
55Δ	1	Stationary face, Carbon	31496-0501-2
	1	Stationary face, SC	31496-0501-3
56Δ	1	Rotary face, SS	31496-0506-1
	1	Rotary face, SC	31496-0506-3
57Δ	1	Washer, NIT	6400-071
	1	Washer, FPM	6400-075
58	1	O-ring, EPDM	5380-405
	1	O-ring, NIT	5380-402
	1	O-ring, FPM	5380-403
59	1	Seal housing	883-419-23
60	1	Lip seal, NIT	5310-108
	1	Lip seal, FPM	5310-109
not listed	2	Housing screw	5990066
	2	Plug	5470006

Hyclean Seal Kit

Δ	C/SS, NIT	31496-7600-1041
Δ	C/SS, FPM	31496-7600-1042
Δ	C/SS, EPDM	31496-7600-1045
Δ	C/SC, NIT	31496-7600-1841
Δ	C/SC, FPM	31496-7600-1842
Δ	C/SC, EPDM	31496-7600-1845
Δ	SC/SC, NIT	31496-7600-2041
Δ	SC/SC, FPM	31496-7600-2042
Δ	SC/SC, EPDM	31496-7600-2045

Parts marked with Δ are included in the Hyclean seal kit.

Note! Two seal kits are required per pump.

Recommended Spare Parts: Pos. 7, 11, 16, 18, 20, 26, 31 and shaft seals