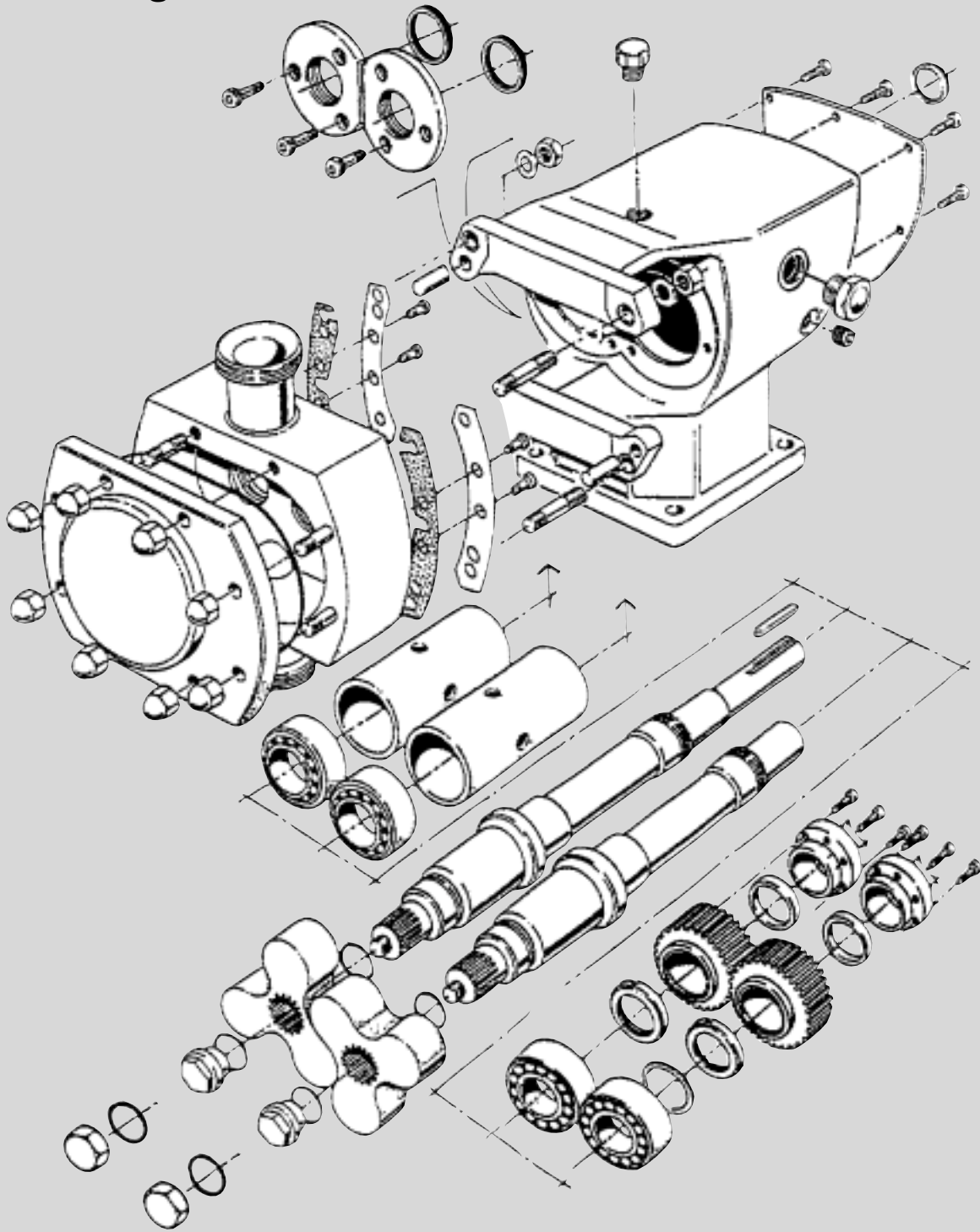
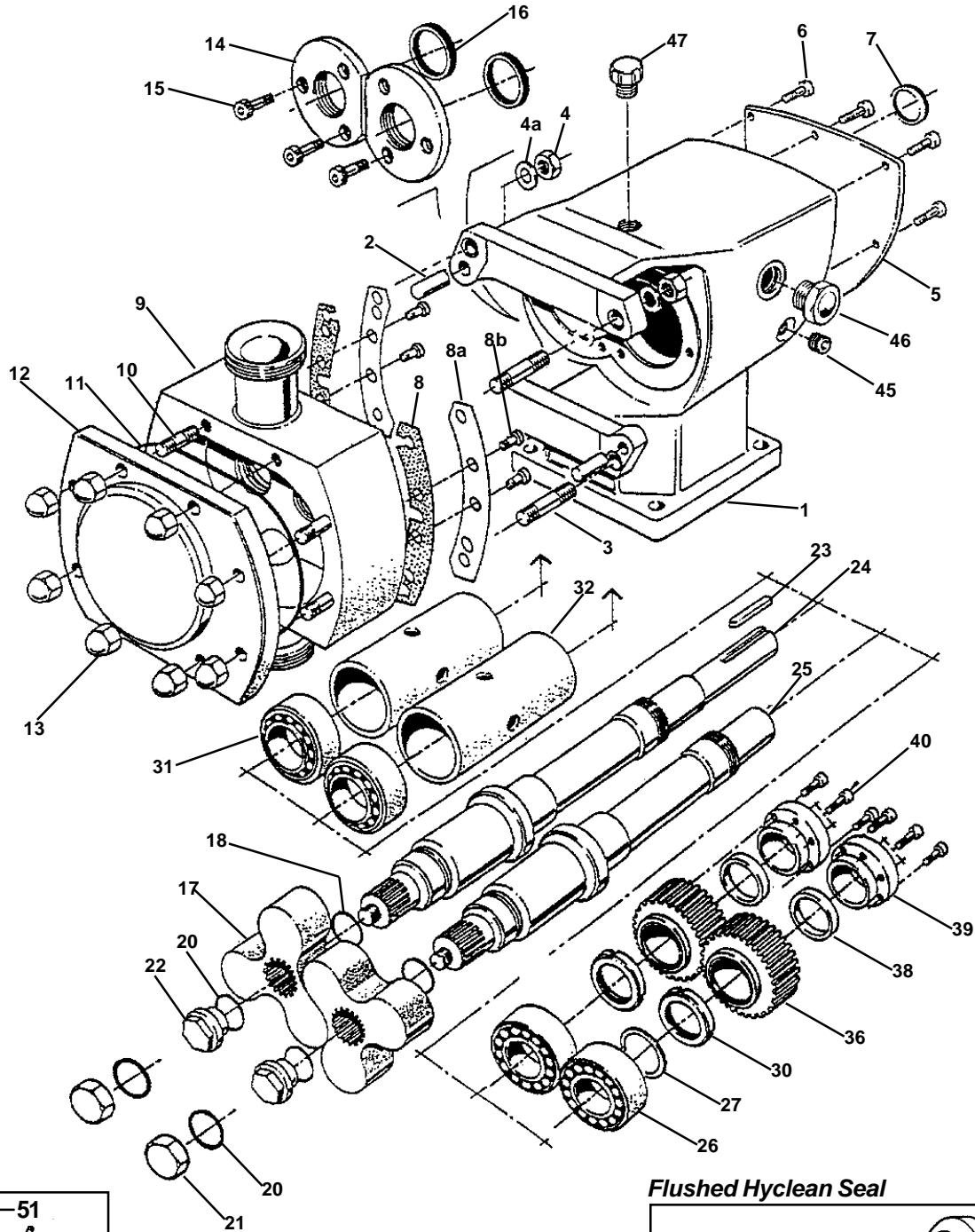


**Spare Parts List**

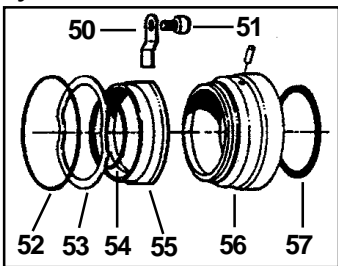
**522/532 GHPD Positive Displacement Pump**

*Vertical Configuration*

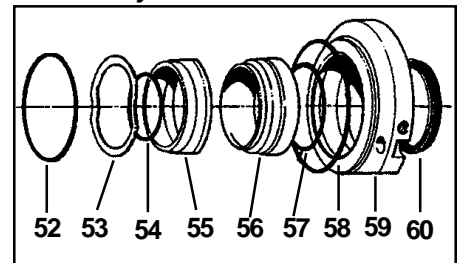




**Hyclean™ Seal**



**Flushed Hyclean Seal**



# Positive Displacement Pump 522/532 GHPD (Vertical)

Pos.	Qty.	Description	522/532 Part No.
1	1	Gear case .....	31495-5220-235
2	2	Dowel .....	5170-010
3	4	Stud, RC-gear case .....	6350-137
4	4	Nut, RC-gear case .....	5330-000
4a	4	Washer .....	6400-037
5	1	Gear case cover .....	31495-5120-058
6	6	Screw .....	5990-044
7	1	Lip seal, Nitrile .....	5310-004
	1	Lip seal, FPM .....	5310-080
8	1	Shim set, SS .....	6150-153
	1	Shim set, Plastic .....	6150-154
8a	2	Shim retainer .....	6150-273
8b	4	Screws .....	6000-010
9	1	Rotor case, 522 .....	9213-0841
	1	Rotor case, 532 .....	9214-0861
10	8	Stud front cover .....	6350-095
11	1	Front cover O-ring, Nitrile .....	883-1550-258
	1	Front cover O-ring, FPM .....	883-1551-258
	1	Front cover O-ring, PTFE .....	883-1552-258
	1	Front cover O-ring, EPDM .....	1555-258
12	1	Front cover .....	31495-5130-313
13	8	Front cover nuts .....	5340-047
14	2	Retainer (front bearing) .....	5560-032
15	6	Retainer screw .....	5990-007
16	2	Lip seal, Nitrile .....	5310-039
	2	Lip seal, FPM .....	5310-072
18	2	Rotor O-ring, Nitrile .....	883-1550-026
	2	Rotor O-ring, FPM .....	883-1551-026
	2	Rotor O-ring, PTFE .....	1558-026
	2	Rotor O-ring, EPDM .....	883-1555-026
20	2	Rotor nut O-ring, Nitrile .....	883-1550-024
	2	Rotor nut O-ring, FPM .....	883-1551-024
	2	Rotor nut O-ring, PTFE .....	1558-024
	2	Rotor nut O-ring, EPDM .....	883-1555-024
21	1	Rotor nut 522 R.H. ....	31495-5900-165
22	1	Rotor nut 522 L.H. ....	31495-5900-185
21	1	Rotor nut 532 R.H. ....	31495-5900-166
22	1	Rotor nut 532 L.H. ....	31495-5900-186
23	1	Drive key .....	5270-031
24	1	Drive shaft - SS .....	31495-6110-657
	1	Drive shaft - Duplex .....	31495-6110-661
25	1	Lay shaft - SS .....	31495-6100-665
	1	Lay shaft - Duplex .....	31495-6100-669
26	2	Rear bearing .....	5080-013
27	1	Shaft spacer .....	31495-5670-063
30	2	Rear nut .....	5340-042
31	2	Front bearing .....	5080-013
32	2	Bearing spacer .....	5670-058
36	2	Timing Gear - std. ....	31495-5210-032
	2	Timing Gear - hard .....	31495-5210-038
38	2	Clamp plate .....	5110-041
39	2	Torque locking element .....	5615-016
40	6	Clamp plate screws .....	5990-007
45	1	Drain plug .....	1660-004
46	1	Sight level glass .....	5480-001
47	1	Filler plug .....	31491-0052-1
	1	Filler plug washer .....	31499-5916-1

**Recommended Spare Parts: Pos. 7, 11, 16, 18, 20, 26, 31 and shaft seals**

**Alfa Laval**

Pos.	Qty.	Description	522 Part No.	532 Part No.
<b>Trilobe Rotors (SS)</b>				
17	2	Class "A" .....	31495-5740-0271	31495-5740-0381
	2	Class "B" .....	31495-5740-0272	31495-5740-0382
	2	Class "C" .....	31495-5740-0273	31495-5740-0383
	2	High pressure class "A" .....	31495-5740-0274	31495-5740-0384
	2	High pressure class "B" .....	31495-5740-0275	31495-5740-0385
	2	High pressure class "C" .....	31495-5740-0276	31495-5740-0386

**Bilobe rotors (SS) (Bilobe rotors must be ordered in pairs)**

17	1	Class "A" Left .....	31495-5761-10271	31495-5741-10381
	1	Class "A" Right .....	31495-5761-20271	31495-5741-20381
	1	Class "B" Left .....	31495-5761-10272	31495-5741-10382
	1	Class "B" Right .....	31495-5761-20272	31495-5741-20382
	1	Class "C" Left .....	31495-5761-10273	31495-5741-10383
	1	Class "C" Right .....	31495-5761-20273	31495-5741-20383
	1	High pressure class "A" Left .....	31495-5761-10274	31495-5741-10384
	1	High pressure class "A" Right .....	31495-5761-20274	31495-5741-20384
	1	High pressure class "B" Left .....	31495-5761-10275	31495-5741-10385
	1	High pressure class "B" Right .....	31495-5761-20275	31495-5741-20385
	1	High pressure class "C" Left .....	31495-5761-10276	31495-5741-10386
	1	High pressure class "C" Right .....	31495-5761-20276	31495-5741-20386

Pos.	Qty.	Description	522/532 Part No.
<b>Hyclean™ Seal</b>			
50	1	Clip .....	31495-5087-053
51	1	Screw .....	5990-064
52Δ	1	Rotor case O-ring, EPDM .....	31495-5001-5
	1	Rotor case O-ring, Nitrile .....	883-1550-328
	1	Rotor case O-ring, FPM .....	883-1551-328
53Δ	1	Wave spring .....	31495-0508-1
54Δ	1	Shaft O-ring, EPDM .....	883-1555-124
	1	Shaft O-ring, Nitrile .....	1550-124
	1	Shaft O-ring, FPM .....	883-1551-124
55Δ	1	Stationary face, Carbon .....	31495-0501-2
	1	Stationary face, Silicon Carbide .....	31495-0501-3
56Δ	1	Rotary face, SS .....	31495-0506-1
	1	Rotary face, Silicon Carbide .....	31495-0506-3
57Δ	1	Washer, Nitrile .....	6400-070
	1	Washer, FPM .....	6400-074
58	1	Flush housing O-ring, FPM .....	5380-399
59	1	Flush housing .....	31495-5265-389
60	1	Lip seal, Nitrile .....	5310-010
	1	Lip seal, FPM .....	5310-027
not listed	2	Housing Screw .....	5990-066
	2	Plug .....	5470-006

**Hyclean Seal Kit**

Δ	C/SS, Nitrile .....	31495-7600-1031
Δ	C/SS, FPM .....	31495-7600-1032
Δ	C/SS, EPDM .....	31495-7600-1035
Δ	C/SC, Nitrile .....	31495-7600-1831
Δ	C/SC, FPM .....	31495-7600-1832
Δ	C/SC, EPDM .....	31495-7600-1835
Δ	SC/SC, Nitrile .....	31495-7600-2031
Δ	SC/SC, FPM .....	31495-7600-2032
Δ	SC/SC, EPDM .....	31495-7600-2035

Parts marked with Δ are included in the Hyclean seal kit.

Note! Two seal kits are required per pump.

**Recommended Spare Parts: Pos. 7, 11, 16, 18, 20, 26, 31 and shaft seals**