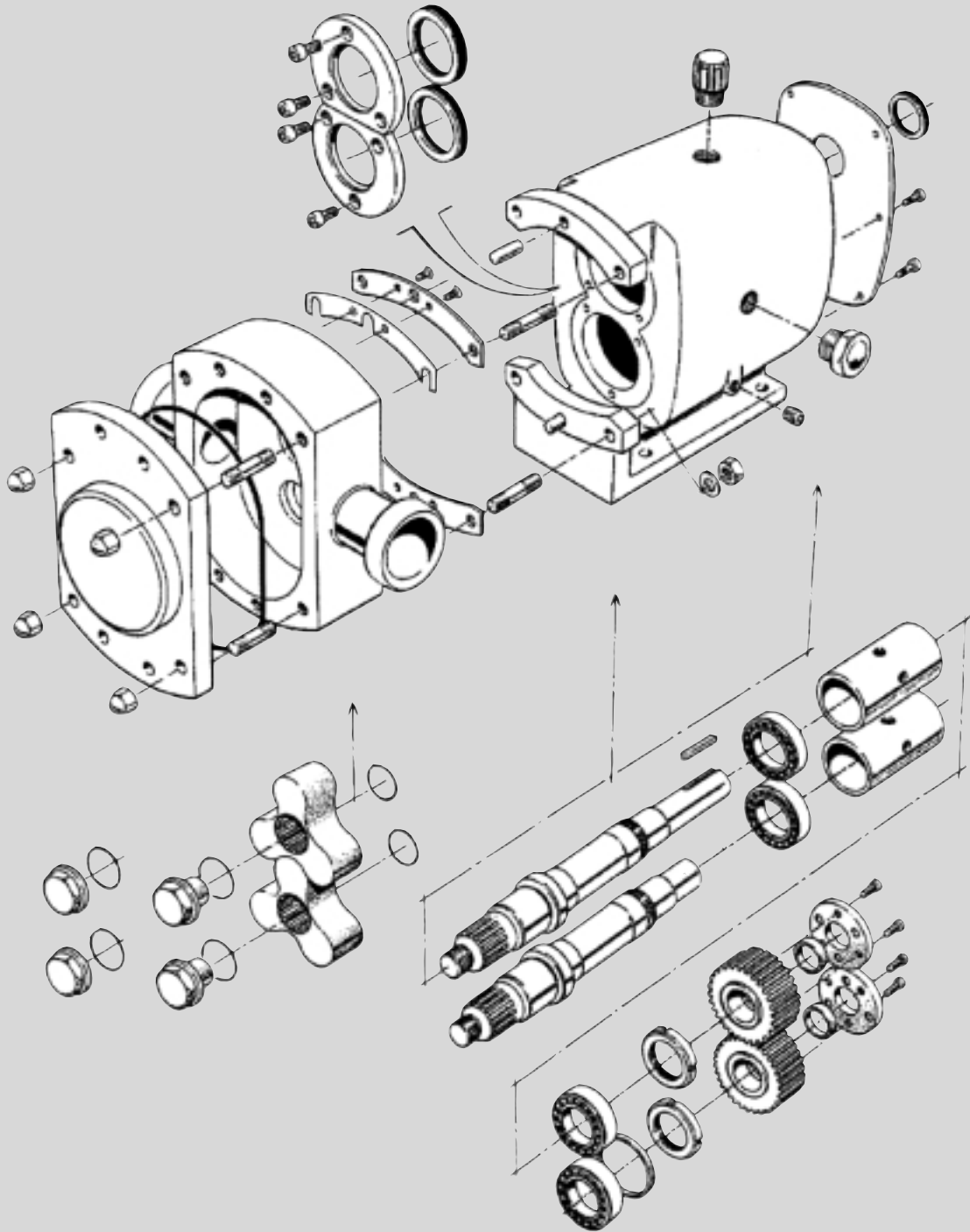
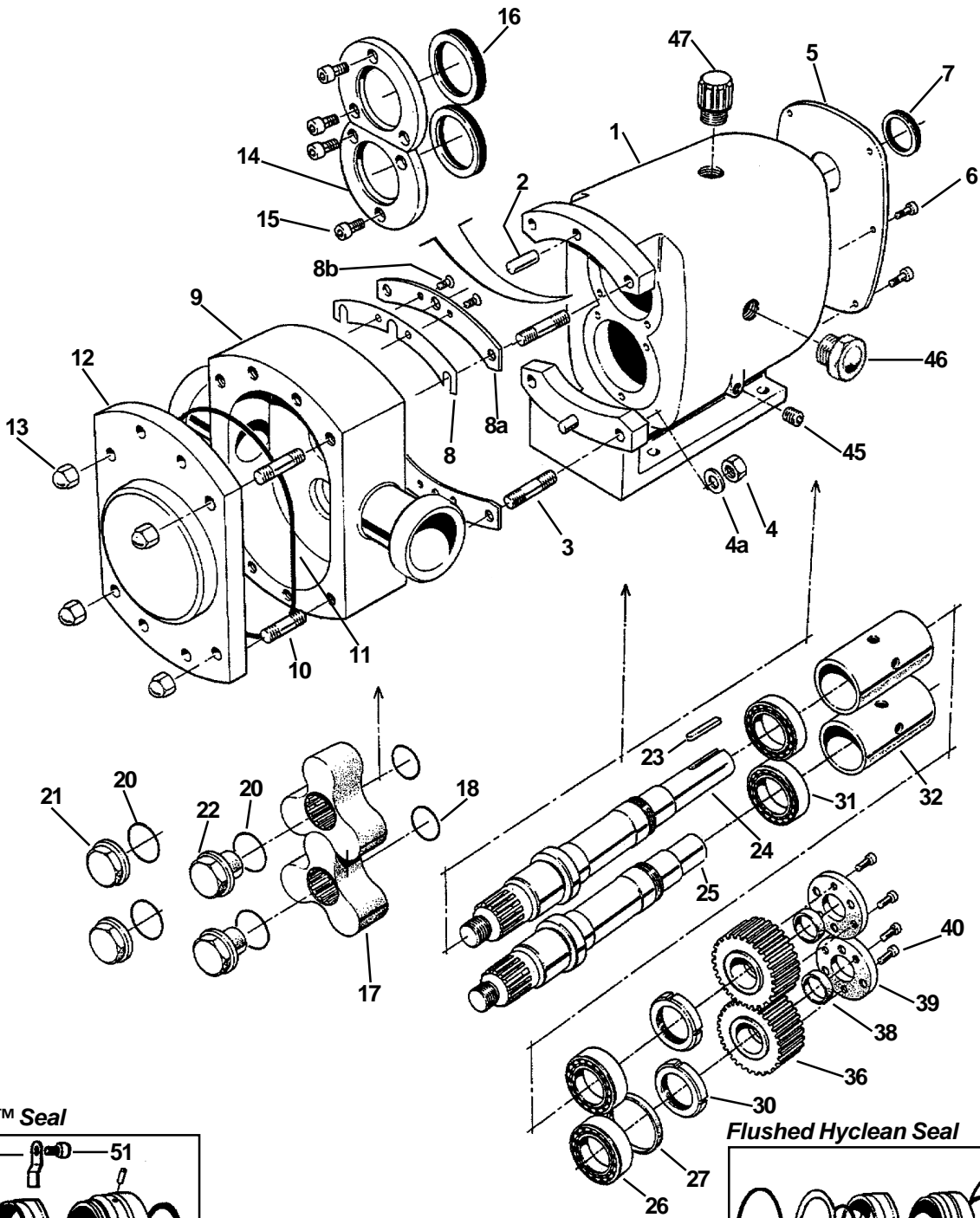


Spare Parts List

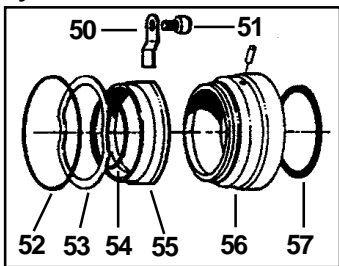
522/532 GHPD Positive Displacement Pump

Horizontal Configuration

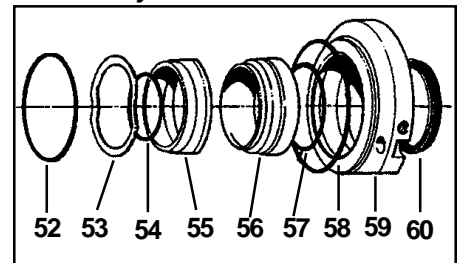




Hyclean™ Seal



Flushed Hyclean Seal



Positive Displacement Pump 522/532 GHPD (Horizontal)

Pos.	Qty.	Description	522/532 Part No.
1	1	Gear case	5220-075
2	2	Dowel	5170-010
3	4	Stud, RC-gear case	6350-137
4	4	Nut, RC-gear case	5330-000
4a	4	Washer	6400-037
5	1	Gear case cover	5120-052
6	6	Screw	5990-044
7	1	Lip seal, Nitrile	5310-004
	1	Lip seal, FPM	5310-080
8	1	Shim set, SS	6150-153
	1	Shim set, Plastic	6150-154
8a	2	Shim retainer	6150-273
8b	4	Screws	6000-010
9	1	Rotor case, 522	9213-0841
	1	Rotor case, 532	9214-0861
10	8	Stud front cover	6350-095
11	1	Front cover O-ring, Nitrile	883-1550-258
	1	Front cover O-ring, FPM	883-1551-258
	1	Front cover O-ring, PTFE	883-1552-258
	1	Front cover O-ring, EPDM	1555-258
12	1	Front cover	31495-5130-313
13	8	Front cover nuts	5340-047
14	2	Retainer (front bearing)	5560-032
15	6	Retainer screw	5990-007
16	2	Lip seal, Nitrile	5310-039
	2	Lip seal, FPM	5310-072
18	2	Rotor O-ring, Nitrile	883-1550-026
	2	Rotor O-ring, FPM	883-1551-026
	2	Rotor O-ring, PTFE	1558-026
	2	Rotor O-ring, EPDM	883-1555-026
20	2	Rotor nut O-ring, Nitrile	883-1550-024
	2	Rotor nut O-ring, FPM	883-1551-024
	2	Rotor nut O-ring, PTFE	1558-024
	2	Rotor nut O-ring, EPDM	883-1555-024
21	1	Rotor nut 522 R.H.	31495-5900-165
22	1	Rotor nut 522 L.H.	31495-5900-185
21	1	Rotor nut 532 R.H.	31495-5900-166
22	1	Rotor nut 532 L.H.	31495-5900-186
23	1	Drive key	5270-031
24	1	Drive shaft - SS	31495-6110-657
	1	Drive shaft - Duplex	31495-6110-661
25	1	Lay shaft - SS	31495-6100-665
	1	Lay shaft - Duplex	31495-6100-669
26	2	Rear bearing	5080-013
27	1	Shaft spacer	31495-5670-063
30	2	Rear nut	5340-042
31	2	Front bearing	5080-013
32	2	Bearing spacer	5670-058
36	2	Timing Gear - std.	31495-5210-032
	2	Timing Gear - hard	31495-5210-038
38	2	Clamp plate	5110-041
39	2	Torque locking element	5615-016
40	6	Clamp plate screws	5990-007
45	1	Drain plug	1660-004
46	1	Sight level glass	5480-001
47	1	Filler plug	31491-0052-1
	1	Filler plug washer	31499-5916-1

Recommended Spare Parts: Pos. 7, 11, 16, 18, 20, 26, 31 and shaft seals

Alfa Laval

Pos.	Qty.	Description	522 Part No.	532 Part No.
Trilobe Rotors (SS)				
17	2	Class "A"	31495-5740-0271	31495-5740-0381
	2	Class "B"	31495-5740-0272	31495-5740-0382
	2	Class "C"	31495-5740-0273	31495-5740-0383
	2	High pressure class "A"	31495-5740-0274	31495-5740-0384
	2	High pressure class "B"	31495-5740-0275	31495-5740-0385
	2	High pressure class "C"	31495-5740-0276	31495-5740-0386

Bilobe rotors (SS) (Bilobe rotors must be ordered in pairs)

17	1	Class "A" Left	31495-5741-10271	31495-5741-10381
	1	Class "A" Right	31495-5741-20271	31495-5741-20381
	1	Class "B" Left	31495-5741-10272	31495-5741-10382
	1	Class "B" Right	31495-5741-20272	31495-5741-20382
	1	Class "C" Left	31495-5741-10273	31495-5741-10383
	1	Class "C" Right	31495-5741-20273	31495-5741-20383
	1	High pressure class "A" Left	31495-5741-10274	31495-5741-10384
	1	High pressure class "A" Right	31495-5741-20274	31495-5741-20384
	1	High pressure class "B" Left	31495-5741-10275	31495-5741-10385
	1	High pressure class "B" Right	31495-5741-20275	31495-5741-20385
	1	High pressure class "C" Left	31495-5741-10276	31495-5741-10386
	1	High pressure class "C" Right	31495-5741-20276	31495-5741-20386

Pos.	Qty.	Description	522/532 Part No.
Hyclean™ Seal			
50	1	Clip	31495-5087-053
51	1	Screw	5990-064
52Δ	1	Rotor case O-ring, EPDM	31495-5001-5
	1	Rotor case O-ring, Nitrile	883-1550-328
	1	Rotor case O-ring, FPM	883-1551-328
53Δ	1	Wave spring	31495-0508-1
54Δ	1	Shaft O-ring, EPDM	883-1555-124
	1	Shaft O-ring, Nitrile	1550-124
	1	Shaft O-ring, FPM	883-1551-124
55Δ	1	Stationary face, Carbon	31495-0501-2
	1	Stationary face, Silicon Carbide	31495-0501-3
56Δ	1	Rotary face, SS	31495-0506-1
	1	Rotary face, Silicon Carbide	31495-0506-3
57Δ	1	Washer, Nitrile	6400-070
	1	Washer, FPM	6400-074
58	1	Flush housing O-ring, Nitrile	5380-398
	1	Flush housing O-ring, FPM	5380-399
59	1	Flush housing	31495-5265-286
60	1	Lip seal, Nitrile	5310-010
	1	Lip seal, FPM	5310-027
not listed	2	Housing screw	5990-066
	2	Plug	5470-006

Hyclean Seal Kit

Δ	C/SS, Nitrile	31495-7600-1031
Δ	C/SS, FPM	31495-7600-1032
Δ	C/SS, EPDM	31495-7600-1035
Δ	C/SC, Nitrile	31495-7600-1831
Δ	C/SC, FPM	31495-7600-1832
Δ	C/SC, EPDM	31495-7600-1835
Δ	SC/SC, Nitrile	31495-7600-2031
Δ	SC/SC, FPM	31495-7600-2032
Δ	SC/SC, EPDM	31495-7600-2035

Parts marked with Δ are included in the Hyclean seal kit.

Note! Two seal kits are required per pump.

Recommended Spare Parts: Pos. 7, 11, 16, 18, 20, 26, 31 and shaft seals