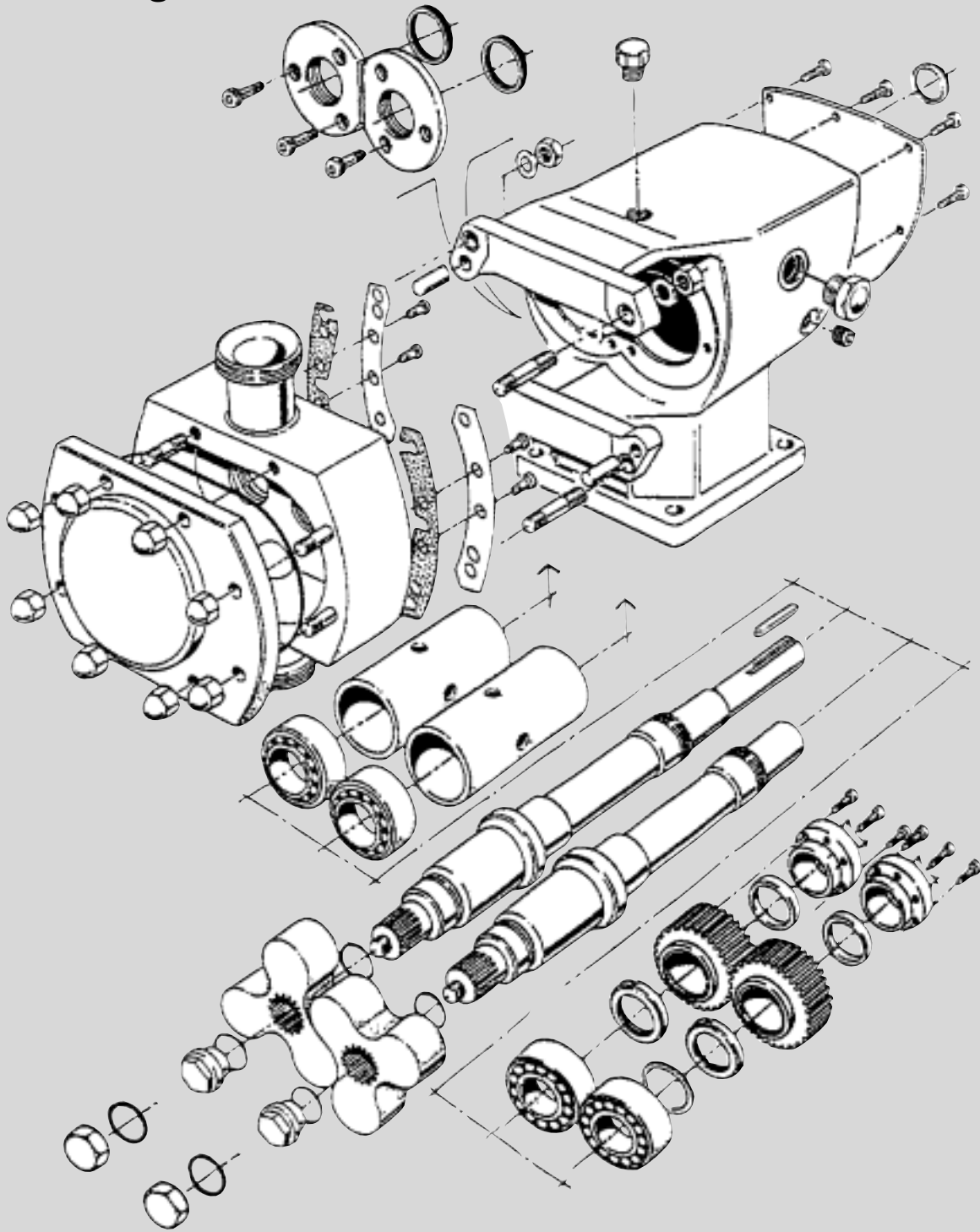
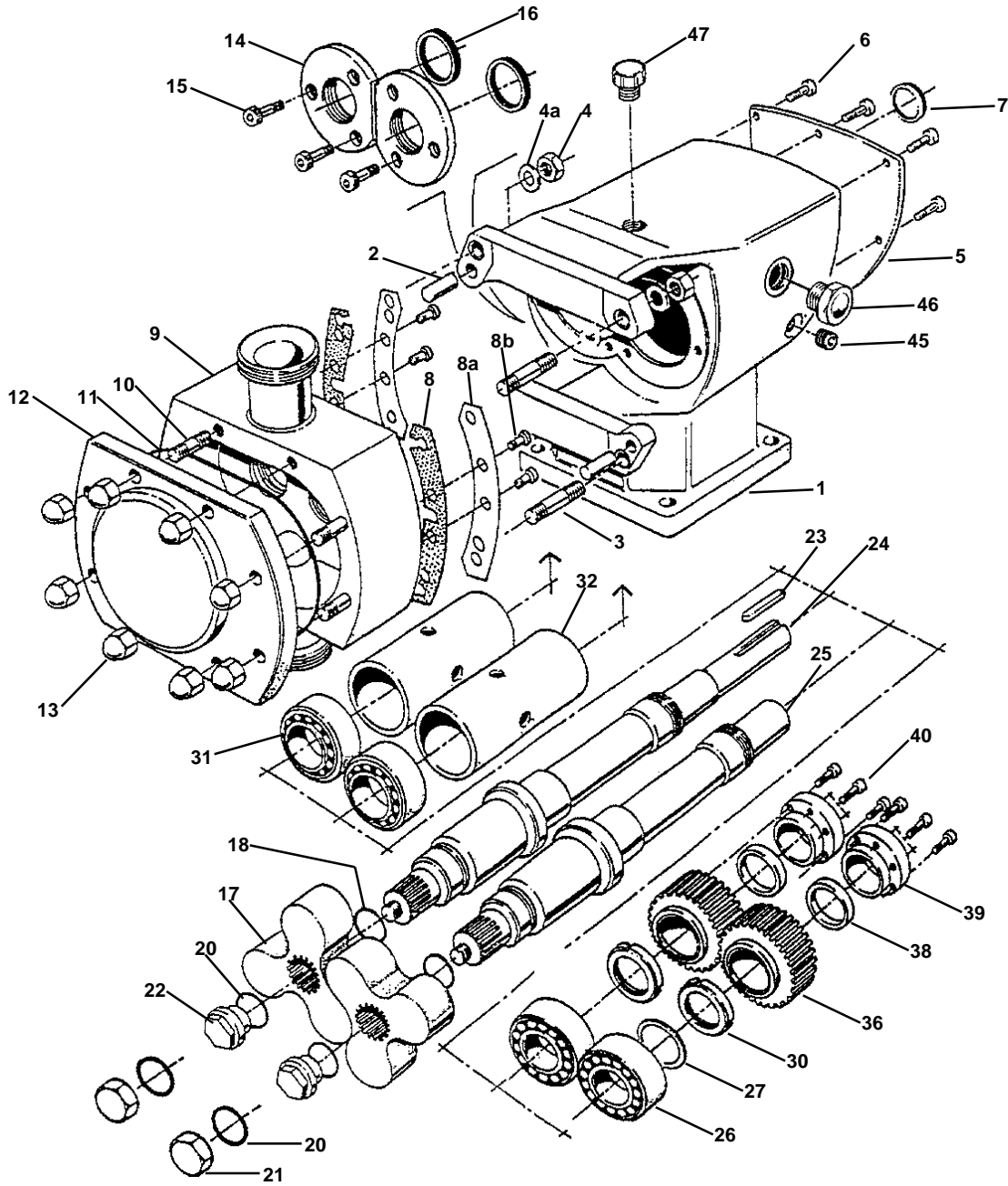


Spare Parts List

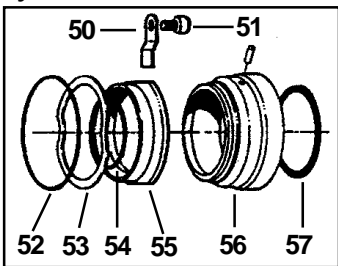
422/432 GHPD Positive Displacement Pump

Vertical Configuration

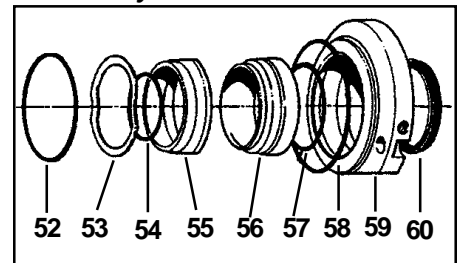




Hyclean™ Seal



Flushed Hyclean Seal



Positive Displacement Pump 422/432GHPD (Vertical)

Pos.	Qty.	Description	422/432 Part No.
1	1	Gear case	31494-5220-234
2	2	Dowel	5170-025
3	4	Stud, RC-gear case	6350-136
4	4	Nut, RC-gear case	5330-000
4a	4	Washer	6400-037
5	1	Gear case cover	31494-5120-057
6	6	Screw	5990-044
7	1	Lip seal, Nitrile	5310-101
	1	Lip seal, FPM	5310-079
8	1	Shim set, SS	31494-6150-151
	1	Shim set, Plastic	6150-152
8a	2	Shim Retainer	6150-272
8b	4	Screw	6000-010
9	1	Rotor case, 422	31494-91120831
	1	Rotor case, 432	31494-92120841
10	8	Stud front cover	6350-136
11	1	Front cover O-ring, Nitrile	883-1550-249
	1	Front cover O-ring, FPM	883-1551-249
	1	Front cover O-ring, PTFE	883-1552-249
	1	Front cover O-ring, EPDM	883-1555-249
12	1	Front cover	31494-5130-312
13	8	Front cover nuts	5340-047
14	2	Retainer (front bearing)	5560-031
15	6	Retainer screw	5990-007
16	2	Lip seal, Nitrile	5310-038
	2	Lip seal, FPM	5310-071
18	2	Rotor O-ring, Nitrile	883-1550-022
	2	Rotor O-ring, FPM	883-1551-022
	2	Rotor O-ring, PTFE	1558-022
	2	Rotor O-ring, EPDM	883-1555-022
20	2	Rotor nut O-ring, Nitrile	883-1550-022
	2	Rotor nut O-ring, FPM	883-1551-020
	2	Rotor nut O-ring, PTFE	883-1552-020
	2	Rotor nut O-ring, EPDM	883-1555-020
21	1	Rotor nut 422 R.H.	31494-5900-163
22	1	Rotor nut 422 L.H.	31494-5900-183
21	1	Rotor nut 432 R.H.	31494-5900-164
22	1	Rotor nut 432 L.H.	31494-5900-184
23	1	Drive key	5270-007
24	1	Drive shaft, SS	31494-6110-656
	1	Drive shaft, Duplex	31494-6110-660
25	1	Lay shaft, SS	31494-6100-664
	1	Lay shaft, Duplex	31494-6100-668
26	2	Rear bearing	5080-012
27	1	Shaft spacer	31494-5670-062
30	2	Rear nut	5340-041
31	2	Front bearing	5080-012
32	2	Bearing spacer	5670-056
36	2	Timing gear -std.	31494-5210-031
	2	Timing gear - hard	31494-5210-037
38	2	Clamp plate	5110-040
39	2	Torque locking element	5615-015
40	6	Clamp plate screws	5990-044
45	1	Drain plug	1660-004
46	1	Sight level glass	5480-001
47	1	Filler plug	31491-0052-1
	1	Filler plug washer	31499-5916-1

Recommended Spare Parts: Pos. 7, 11, 16, 18, 20, 26, 31 and shaft seals

Alfa Laval

Pos.	Qty.	Description	422 Part No.	432 Part No.
Trilobe Rotors (SS)				
17	2	Class "A"	31494-5740-0131	31494-5740-181
	2	Class "B"	31494-5740-0132	31494-5740-182
	2	Class "C"	31494-5740-0133	31494-5740-0183
	2	High pressure class "A"	31494-5740-0134	31494-5741-0184
	2	High pressure class "B"	31494-5740-0135	31494-5740-0185
	2	High pressure class "C"	31494-5740-0136	31494-5740-0186
Bilobe rotors (SS) (Bilobe rotors must be ordered in pairs)				
17	1	Class "A" Left	31494-5741-10131	31494-5741-10181
	1	Class "A" Right	31494-5741-20131	31494-5741-20181
	1	Class "B" Left	31494-5741-10132	31494-5741-10182
	1	Class "B" Right	31494-5741-20132	31494-5741-20182
	1	Class "C" Left	31494-5741-10133	31494-5741-10183
	1	Class "C" Right	31494-5741-20133	31494-5741-20183
	1	High pressure class "A" Left	31494-5741-10134	31494-5741-10184
	1	High pressure class "A" Right	31494-5741-20134	31494-5741-20184
	1	High pressure class "B" Left	31494-5741-10135	31494-5741-10185
	1	High pressure class "B" Right	31494-5741-20135	31494-5741-20185
	1	High pressure class "C" Left	31494-5741-10136	31494-5741-10186
	1	High pressure class "C" Right	31494-5741-20136	31494-5741-20186

Pos.	Qty.	Description	422/432 Part No.
Hyclean™ Seal			
50	1	Clip	31495-5087-053
51	1	Screw	5990-064
52Δ	1	Rotor case O-ring, EPDM	31494-5001-5
	1	Rotor case O-ring, Nitrile	883-1550-325
	1	Rotor case O-ring, FPM	883-1551-325
53Δ	1	Wave spring	31494-0508-1
54Δ	1	Shaft O-ring, EPDM	1555-121
	1	Shaft O-ring, Nitrile	883-1550-121
	1	Shaft O-ring, FPM	883-1551-121
55Δ	1	Stationary face, Carbon	31494-0501-2
	1	Stationary face, Silicon Carbide	31494-0501-3
56Δ	1	Rotary face, SS	31494-0506-1
	1	Rotary face, Silicon Carbide	31494-0506-3
57Δ	1	Washer, Nitrile	6400-069
	1	Washer, FPM	6400-073
58	1	Flush housing O-ring, Nitrile	1550-139
	1	Flush housing O-ring, FPM	883-1551-139
59	1	Flush housing	31494-5265-388
60	1	Lip seal, Nitrile	5310-106
	1	Lip seal, FPM	5310-107
not listed	2	Housing screw	5990011
	2	Plug	5470006

Hyclean Seal Kit			
Δ		C/SS, Nitrile	31494-7600-1021
Δ		C/SS, FPM	31494-7600-1022
Δ		C/SS, EPDM	31494-7600-1025
Δ		C/SC, Nitrile	31494-7600-1821
Δ		C/SC, FPM	31494-7600-1822
Δ		C/SC, EPDM	31494-7600-1825
Δ		SC/SC, Nitrile	31494-7600-2021
Δ		SC/SC, FPM	31494-7600-2022
Δ		SC/SC, EPDM	31494-7600-2025

Parts marked with Δ are included in the Hyclean seal kit.

Note! Two seal kits are required per pump.

Recommended Spare Parts: Pos. 7, 11, 16, 18, 20, 26, 31 and shaft seals