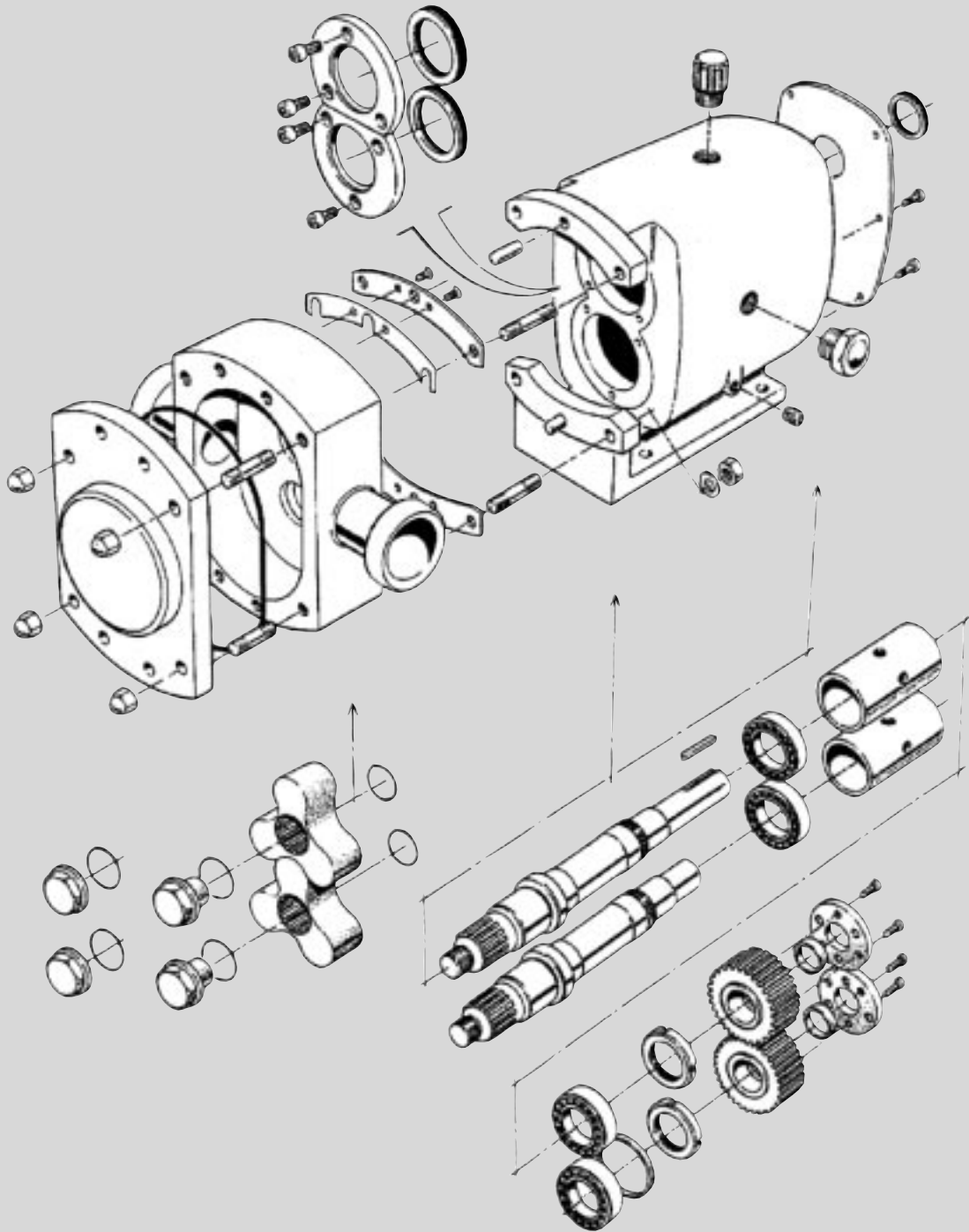
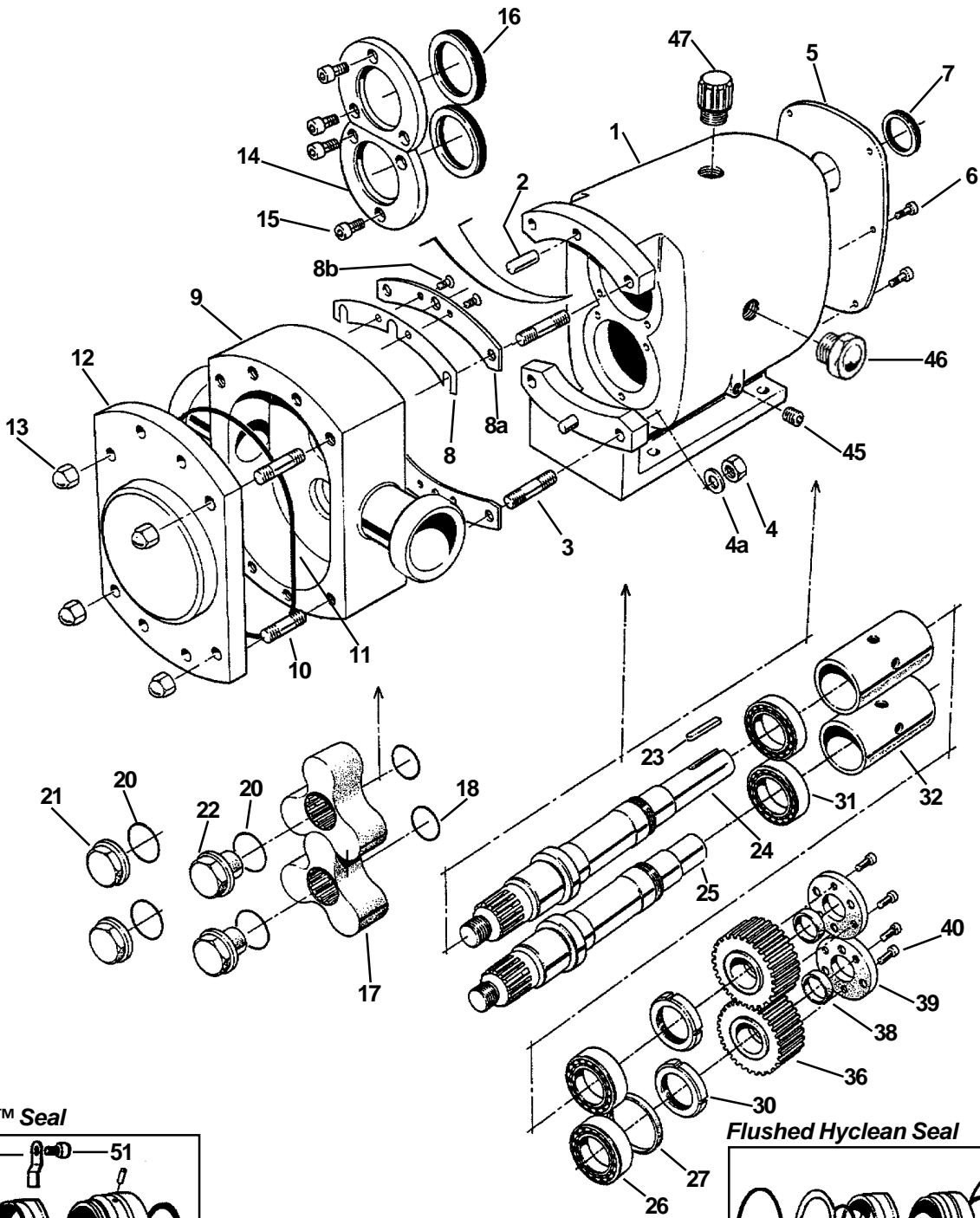


Spare Parts List

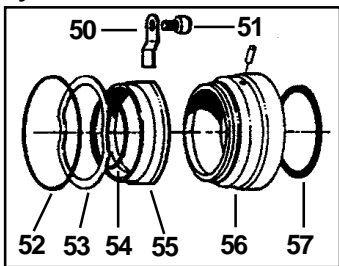
422/432 GHPD Positive Displacement Pump

Horizontal Configuration

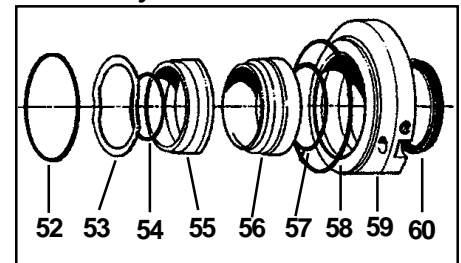




Hyclean™ Seal



Flushed Hyclean Seal



Positive Displacement Pump 422/432 GHPD (Horizontal)

| Pos. | Qty. | Description | 422/432 Part No. |
|------|------|-----------------------------------|---------------------|
| 1 | 1 | Gear case | 5220-073 |
| 2 | 2 | Dowel | 5170-025 |
| 3 | 4 | Stud, RC-gear case | 6350-136 |
| 4 | 4 | Nut, RC-gear case | 5330-000 |
| 4a | 4 | Washer | 6400-037 |
| 5 | 1 | Gear case cover | 5120-051 |
| 6 | 6 | Screw | 5990-044 |
| 7 | 1 | Lip seal, Nitrile | 5310-101 |
| | 1 | Lip seal, FPM | 5310-079 |
| 8 | 1 | Shim set, SS | 31494-6150-151 |
| | 1 | Shim set, Plastic | 6150-152 |
| 8a | 2 | Shim Retainer | 6150-272 |
| 8b | 4 | Screw | 6000-010 |
| 9 | 1 | Rotor case, 422 | 31494-91120831 |
| | 1 | Rotor case, 432 | 31494-92120841 |
| 10 | 4 | Stud front cover | 6350-136 |
| 11 | 1 | Front cover O-ring, Nitrile | 883-1550-249 |
| | 1 | Front cover O-ring, FPM | 883-1551-249 |
| | 1 | Front cover O-ring, PTFE | 883-1552-249 |
| | 1 | Front cover O-ring, EPDM | 883-1555-249 |
| 12 | 1 | Front cover | 31494-5130-312 |
| 13 | 4 | Front cover nuts | 5340-047 |
| 14 | 2 | Retainer (front bearing) | 5560-031 |
| 15 | 6 | Retainer screw | 5990-007 |
| 16 | 2 | Lip seal, Nitrile | 5310-038 |
| | 2 | Lip seal, FPM | 5310-071 |
| 18 | 2 | Rotor O-ring, Nitrile | 883-1550-022 |
| | 2 | Rotor O-ring, FPM | 883-1551-022 |
| | 2 | Rotor O-ring, PTFE | 1558-022 |
| | 2 | Rotor O-ring, EPDM | 883-1555-022 |
| 20 | 2 | Rotor nut O-ring, Nitrile | 883-1550-020 |
| | 2 | Rotor nut O-ring, FPM | 883-1551-020 |
| | 2 | Rotor nut O-ring, PTFE | 883-1552-020 |
| | 2 | Rotor nut O-ring, EPDM | 883-1555-020 |
| 21 | 1 | Rotor nut 422 R.H. | 31494-5900-163 |
| 22 | 1 | Rotor nut 422 L.H. | 31494-5900-183 |
| 21 | 1 | Rotor nut 432 R.H. | 31494-5900-164 |
| 22 | 1 | Rotor nut 432 L.H. | 31494-5900-184 |
| 23 | 1 | Drive key | 5270-007 |
| 24 | 1 | Drive shaft, SS | 31494-6110-656 |
| | 1 | Drive shaft, Duplex | 31494-6110-660 |
| 25 | 1 | Lay shaft, SS | 31494-6100-664 |
| | 1 | Lay shaft, Duplex | 31494-6100-668 |
| 26 | 2 | Rear bearing | 5080-012 |
| 27 | 1 | Shaft spacer | 31494-5670-062 |
| 30 | 2 | Rear nut | 5340-041 |
| 31 | 2 | Front bearing | 5080-012 |
| 32 | 2 | Bearing spacer | 5670-056 |
| 36 | 2 | Timing gear -std. | 31494-5210-031 |
| | 2 | Timing gear - hard | 31494-5210-037 |
| 38 | 2 | Clamp plate | 5110-040 |
| 39 | 2 | Torque locking element | 5615-015 |
| 40 | 6 | Clamp plate screws | 5990-044 |
| 45 | 1 | Drain plug | 1660-004 |
| 46 | 1 | Sight level glass | 5480-001 |
| 47 | 1 | Filler plug | 31491-0052-1 |
| | 1 | Filler plug washer | 31499-5916-1 |

Recommended Spare Parts: Pos. 7, 11, 16, 18, 20, 26, 31 and shaft seals

Alfa Laval

| Pos. | Qty. | Description | 422 Part No. | 432 Part No. |
|----------------------------|------|-------------------------------|-----------------|-----------------|
| Trilobe Rotors (SS) | | | | |
| 17 | 2 | Class "A" | 31494-5740-0131 | 31494-5740-0181 |
| | 2 | Class "B" | 31494-5740-0132 | 31494-5740-0182 |
| | 2 | Class "C" | 31494-5740-0133 | 31494-5740-0183 |
| | 2 | High pressure class "A" | 31494-5740-0134 | 31494-5740-0184 |
| | 2 | High pressure class "B" | 31494-5740-0135 | 31494-5740-0185 |
| | 2 | High pressure class "C" | 31494-5740-0136 | 31494-5740-0186 |

Bilobe rotors (SS) (Bilobe rotors must be ordered in pairs)

| | | | | |
|----|---|-------------------------------------|------------------|------------------|
| 17 | 1 | Class "A" Left..... | 31494-5741-10131 | 31494-5741-10181 |
| | 1 | Class "A" Right | 31494-5741-20131 | 31494-5741-20181 |
| | 1 | Class "B" Left | 31494-5741-10132 | 31494-5741-10182 |
| | 1 | Class "B" Right | 31494-5741-20132 | 31494-5741-20182 |
| | 1 | Class "C" Left | 31494-5741-10133 | 31494-5741-10183 |
| | 1 | Class "C" Right | 31494-5741-20133 | 31494-5741-20183 |
| | 1 | High pressure class "A" Left | 31494-5741-10134 | 31494-5741-10184 |
| | 1 | High pressure class "A" Right | 31494-5741-20134 | 31494-5741-20184 |
| | 1 | High pressure class "B" Left | 31494-5741-10135 | 31494-5741-10185 |
| | 1 | High pressure class "B" Right | 31494-5741-20135 | 31494-5741-20185 |
| | 1 | High pressure class "C" Left | 31494-5741-10136 | 31494-5741-10186 |
| | 1 | High pressure class "C" Right | 31494-5741-20136 | 31494-5741-20186 |

| Pos. | Qty. | Description | 422/432 Part No. |
|----------------------|------|--|---------------------|
| Hyclean™ Seal | | | |
| 50 | 1 | Clip | 31495-5087-053 |
| 51 | 1 | Screw | 5990-064 |
| 52Δ | 1 | Rotor case O-ring, EPDM | 31494-5001-5 |
| | 1 | Rotor case O-ring, Nitrile | 883-1550-325 |
| | 1 | Rotor case O-ring, FPM | 883-1551-325 |
| 53Δ | 1 | Wave spring | 31494-0508-1 |
| 54Δ | 1 | Shaft O-ring, EPDM | 1555-121 |
| | 1 | Shaft O-ring, Nitrile | 883-1550-121 |
| | 1 | Shaft O-ring, FPM | 883-1551-121 |
| 55Δ | 1 | Stationary face, Carbon | 31494-0501-2 |
| | 1 | Stationary face, Silicon Carbide | 31494-0501-3 |
| 56Δ | 1 | Rotary face, SS | 31494-0506-1 |
| | 1 | Rotary face, Silicon Carbide | 31494-0506-3 |
| 57Δ | 1 | Washer, Nitrile | 6400-069 |
| | 1 | Washer, FPM | 6400-073 |
| 58 | 1 | Flush housing O-ring, Nitrile | 1550-139 |
| | 1 | Flush housing O-ring, FPM | 883-1551-139 |
| 59 | 1 | Flush housing | 31494-5265-382 |
| 60 | 1 | Lip seal, Nitrile | 5310-106 |
| | 1 | Lip seal, FPM | 5310-107 |
| not listed | 2 | Housing screw | 5990011 |
| | 2 | Nut | 5470006 |

| | | | |
|-------------------------|--|----------------------|-----------------|
| Hyclean Seal Kit | | | |
| Δ | | C/SS, Nitrile | 31494-7600-1021 |
| Δ | | C/SS, FPM | 31494-7600-1022 |
| Δ | | C/SS, EPDM | 31494-7600-1025 |
| Δ | | C/SC, Nitrile | 31494-7600-1821 |
| Δ | | C/SC, FPM | 31494-7600-1822 |
| Δ | | C/SC, EPDM | 31494-7600-1825 |
| Δ | | SC/SC, Nitrile | 31494-7600-2021 |
| Δ | | SC/SC, FPM | 31494-7600-2022 |
| Δ | | SC/SC, EPDM | 31494-7600-2025 |

Parts marked with Δ are included in the Hyclean seal kit.

Note! Two seal kits are required per pump.

Recommended Spare Parts: Pos. 7, 11, 16, 18, 20, 26, 31 and shaft seals