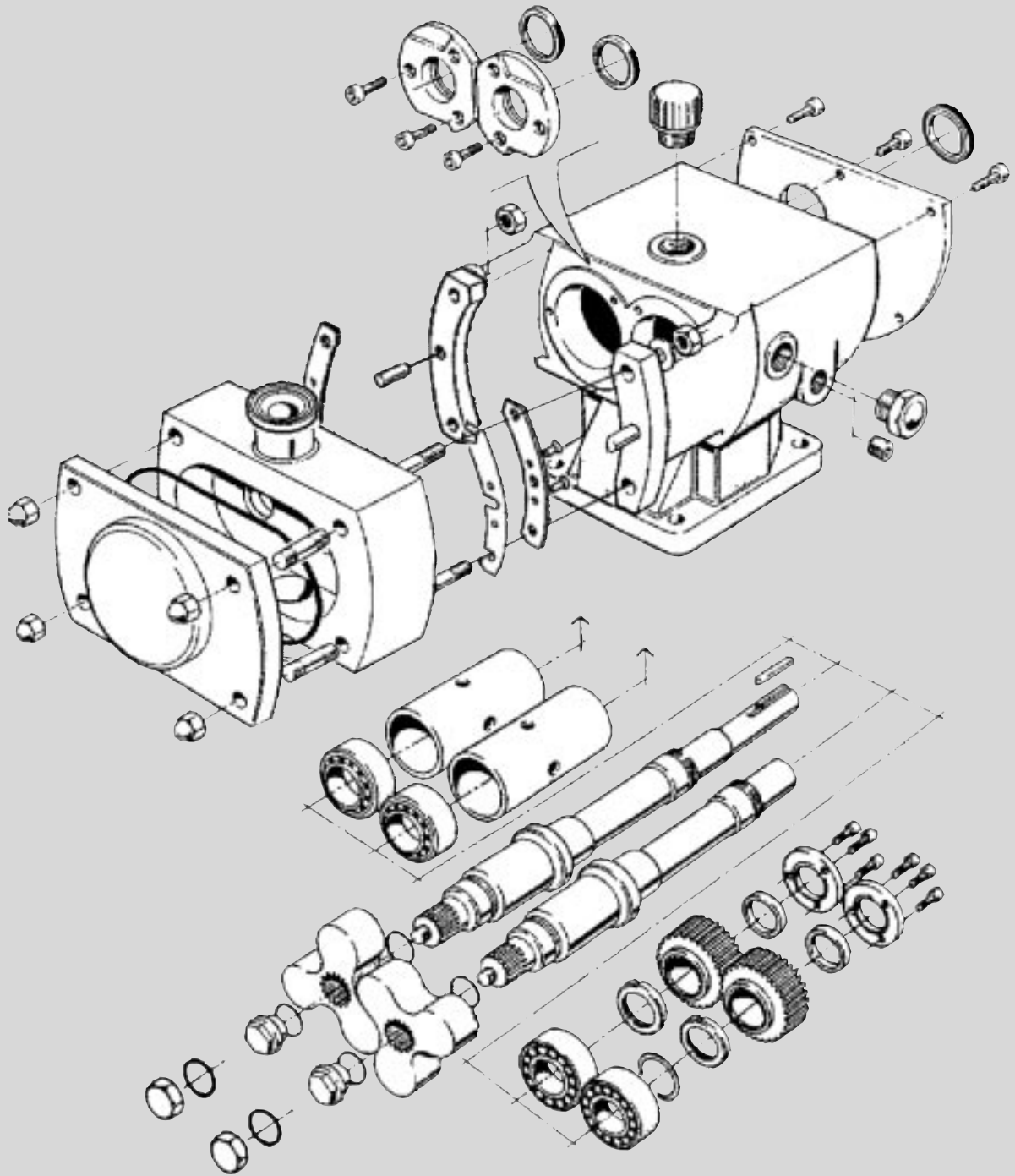
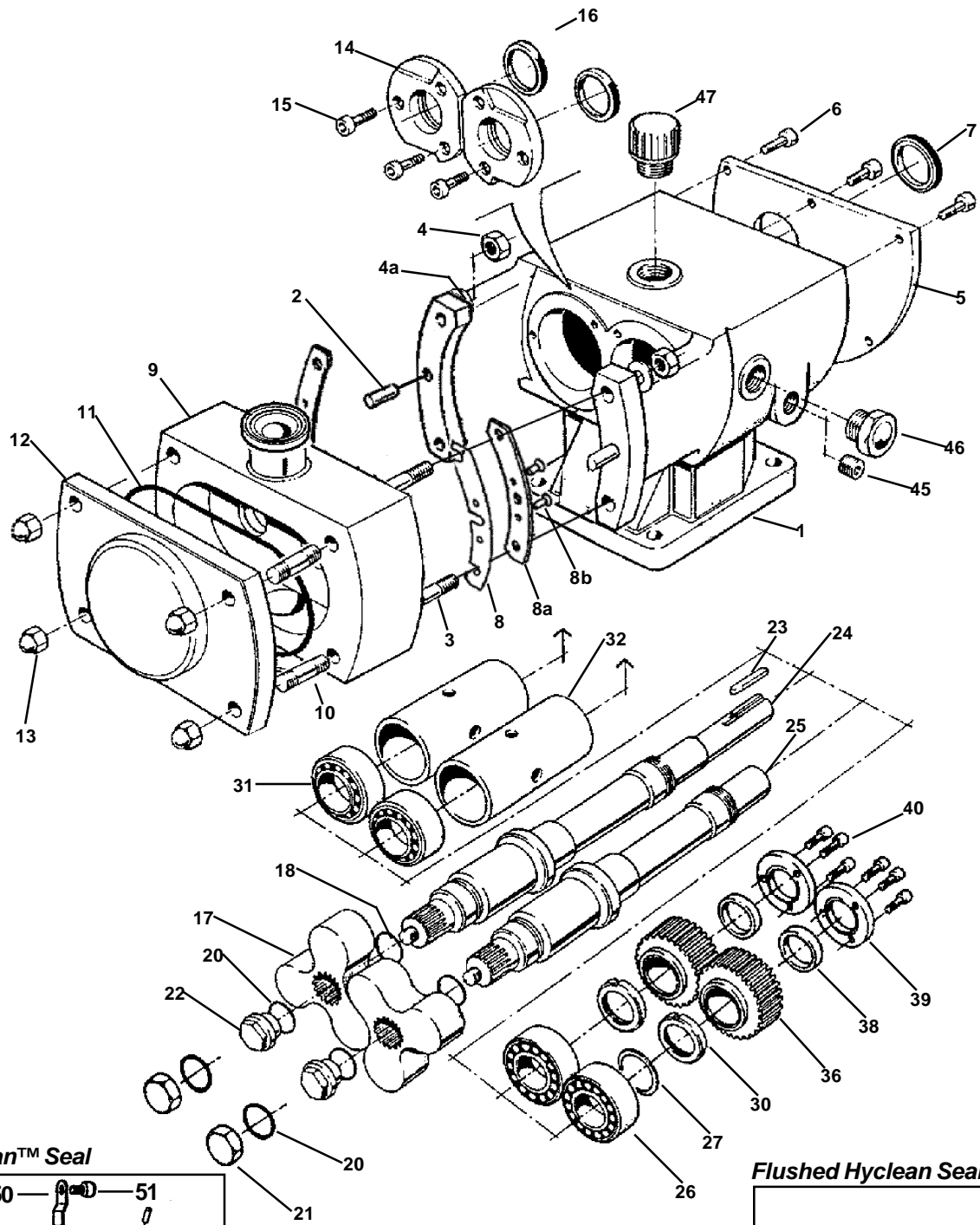


Spare Parts List

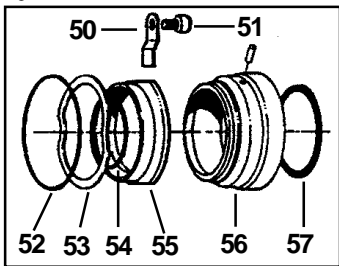
322/332 GHPD Positive Displacement Pump

Vertical Configuration

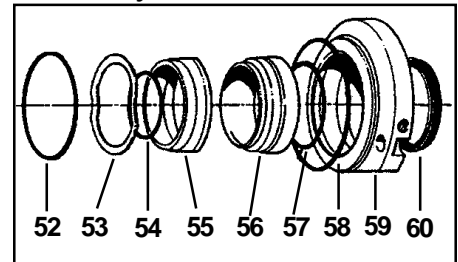




Hyclean™ Seal



Flushed Hyclean Seal



Positive Displacement Pump 322/332 GHPD (Vertical)

Pos.	Qty.	Description	322/332 Part No.
1	1	Gear case	5220-271
2	2	Dowel	5170-025
3	4	Stud, RC-gear case	6350-093
4	4	Nut, RC-gear case	5330-003
4a	4	Washer	6400-036
5	1	Gear case cover	5120-112
6	6	Screw	5990-044
7	1	Lip seal, Nitrile	5310-047
	1	Lip seal, FPM	5310-078
8	1	Shim set, SS	31493-6150-151
	1	Shim set, Plastic.	31493-6150-150
8a	2	Shim retainer	6150-261
8b	4	Screw	6000-010
9	1	Rotor case, 322	31493-9285-0281
	1	Rotor case, 332	31493-9286-0831
10	4	Stud front cover	6350-093
11	1	Front cover O-ring, NIT	1550-239
	1	Front cover O-ring, FPM	883-1551-239
	1	Front cover O-ring, PTFE	1552-239
	1	Front cover O-ring, EPDM	883-1555-239
12	1	Front cover	31493-5130-311
13	4	Front cover nuts	5340-029
14	2	Retainer (front bearing)	5560-030
15	6	Retainer screws	5990-044
16	2	Lip seal, Nitrile	5310-037
	2	Lip seal, FPM	5310-070
18	2	Rotor O-ring, Nitrile	5380-421
	2	Rotor O-ring, FPM	5380-420
	2	Rotor O-ring, PTFE	5380-447
	2	Rotor O-ring, EPDM	5380-446
20	2	Rotor nut O-ring, Nitrile	5380-442
	2	Rotor nut O-ring, FPM	5380-443
	2	Rotor nut O-ring, PTFE	5380-445
	2	Rotor nut O-ring, EPDM	5380-444
21	1	Rotor nut 322 R.H.	31493-5900-161
22	1	Rotor nut 322 L.H.	31493-5900-181
21	1	Rotor nut 332 R.H.	31493-5900-162
22	1	Rotor nut 332 L.H.	31493-5900-182
23	1	Drive key	5270-030
24	1	Drive shaft (duplex)	31493-6110-717
25	1	Lay shaft (duplex)	31493-6100-718
26	2	Rear bearing	5080-011
27	1	Shaft spacer	5670-061
30	2	Rear nut	5340-040
31	2	Front bearing	5080-011
32	2	Bearing spacer	5670-100
36	2	Timing gear	5210-036
38	2	Torque lock ring	5615-013
39	2	Clamp plate	5110-039
40	6	Screw - Clamp plate	5990-044
45	1	Drain plug	1660-004
46	1	Sight glass	5480-001
	1	Washer	31499-5916-1
47	1	Filler plug	31491-0052-1

Recommended Spare Parts: Pos. 7, 11, 16, 18, 20, 26, 31 and shaft seals

Alfa Laval

Pos.	Qty.	Description	322 Part No.	332 Part No.
Trilobe Rotors (SS)				
17	2	Class "A"	31493-5712-0051	31493-5712-0081
	2	Class "B"	31493-5712-0052	31493-5712-0082
	2	Class "C"	31493-5712-0053	31493-5712-0083

Bilobe rotors (SS) (Bilobe rotors must be ordered in pairs)				
17	1	Class "A" Left	31493-5730-10051	31493-5730-10081
	1	Class "A" Right	31493-5730-20051	31493-5730-20081
	1	Class "B" Left	31493-5730-10052	31493-5730-10082
	1	Class "B" Right	31493-5730-20052	31493-5730-20082
	1	Class "C" Left	31493-5730-10053	31493-5730-10083
	1	Class "C" Right	31493-5730-20053	31493-5730-20083

Pos.	Qty.	Description	322/332 Part No.
Hyclean™ Seal			
50	1	Clip	31495-5087-053
51	1	Screw	5990-064
52Δ	1	Rotor case O-ring, EPDM	1555-320
	1	Rotor case O-ring, NIT	1550-320
	1	Rotor case O-ring, FPM	883-1551-320
53Δ	1	Wave spring	6300-039
54Δ	1	Shaft O-ring, EPDM	1555-114
	1	Shaft O-ring, NIT	1550-114
	1	Shaft O-ring, FPM	883-1551-114
55Δ	1	Stationary face, Carbon	31493-5630-092
	1	Stationary face, Silicon Carbide	5630-093
56Δ	1	Rotary face, SS	31493-5610-101
	1	Rotary face, Silicon Carbide	5610-102
57Δ	1	Washer, Nitrile	6400-086
	1	Washer, FPM	6400-087
58	1	Flush housing O-ring, Nitrile	5380-263
	1	Flush housing O-ring, FPM	5380-273
59	1	Flush housing	31493-5265-423
60	1	Lip seal, Nitrile	Not available
	1	Lip seal, FPM	5310-114
not listed	2	Housing screw	5990012
	2	Plug, NPT	5470006

Hyclean Seal Kit			
Δ		C/SS, Nitrile	31493-7600-1011
Δ		C/SS, FPM	31493-7600-1012
Δ		C/SS, EPDM	31493-7600-1015
Δ		C/SC, Nitrile	31493-7600-1811
Δ		C/SC, FPM	31493-7600-1812
Δ		C/SC, EPDM	31493-7600-1815
Δ		SC/SC, Nitrile	31493-7600-2011
Δ		SC/SC, FPM	31493-7600-2012
Δ		SC/SC, EPDM	31493-7600-2015

Parts marked with Δ are included in the Hyclean seal kit.

Note! Two seal kits are required per pump.

Recommended Spare Parts: Pos. 7, 11, 16, 18, 20, 26, 31 and shaft seals

Alfa Laval