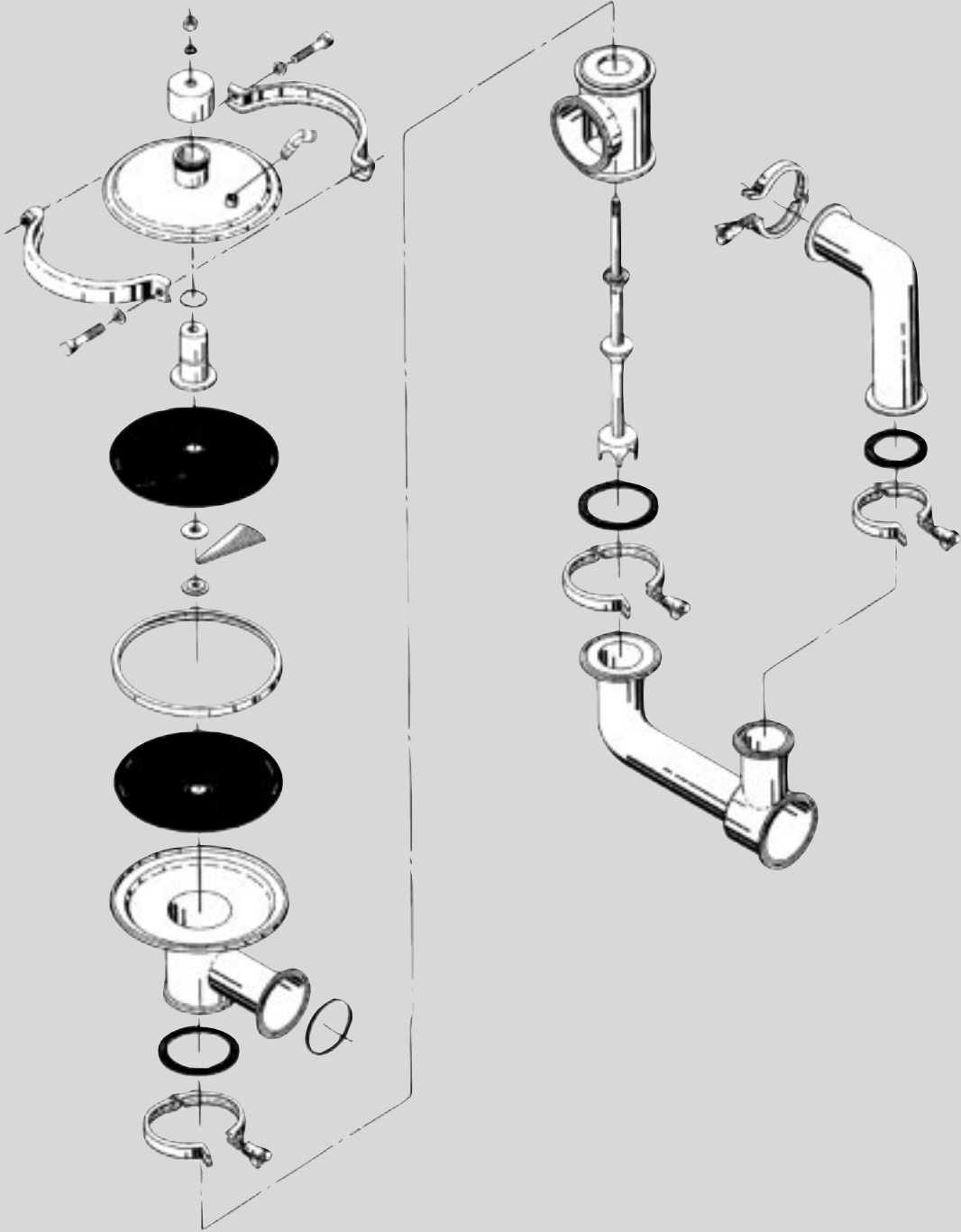
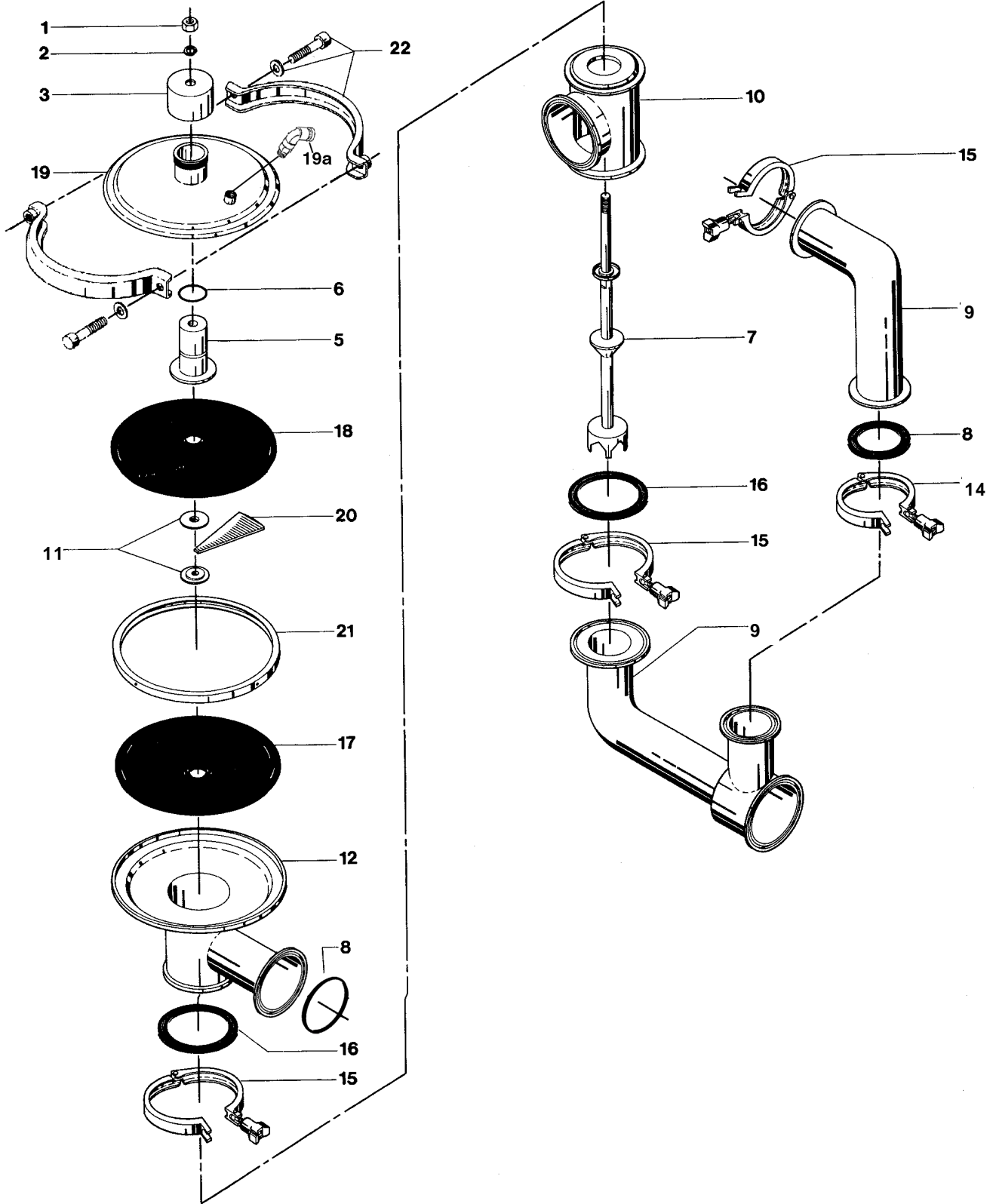


Spare Parts List

CPM-I-D60 Constant Pressure Modulating Inlet Valve

Polished





Constant Pressure Valve CPM-I-D60 (Polished)

Prod. Nos. 8209 and higher

Pos.	Qty.	Description	Part No.
1	1	Nut	221891-15
2	1	Washer	9611-99-1887
3	1	Top	31356-0003-1
5	1	Guide	31356-0072-1
6Δ	1	O-ring	223406-49
7	1	Plug	31356-0006-2
8Δ	2	Seal ring, EPDM (standard)	881-21347
	2	Seal ring, NBR	881-30219
	2	Seal ring, FPM	881-10130
9	1	Inlet tube	304572
10	1	Valve body lower, GC Polished	N/A
11	2	Inner ring	31356-0063-1
12	1	Valve body, GC Polished	N/A
14	1	Heavy duty clamp	9612-01-1202
15	3	Heavy duty clamp	9612-01-1204
16Δ	2	Valve body seal ring, EPDM (standard)	31353-0128-1
	2	Valve body seal ring, NBR	31353-0128-2
17Δ	1	Diaphragm, PTFE covered EPDM (standard)	31356-0014-4 (product side)
18Δ	1	Diaphragm, NBR (air side), blue dot	31356-0014-2
	1	Diaphragm, PTFE covered EPDM	31356-0014-4
19	1	Cover	31356-0067-1
19a	1	Air fitting	881-39750
20	12	Support sector	31356-0062-1
21	1	Outer ring	31356-0064-1
22	1	Clamp set (period 9310-)	9612-3352-01
Δ	1	Service kit for CPM-I-D60	9611-92-0119
	1	Air regulating kit	884-39856

Parts marked with Δ are included in CPM-I-D60 service kit.

Alfa Laval

Alfa Laval
8201 104th Street
Pleasant Prairie, WI 53158-0909
Telephone: 800-558-2060
Fax: 262-947-4724
www.us.flow.alfalaval.com