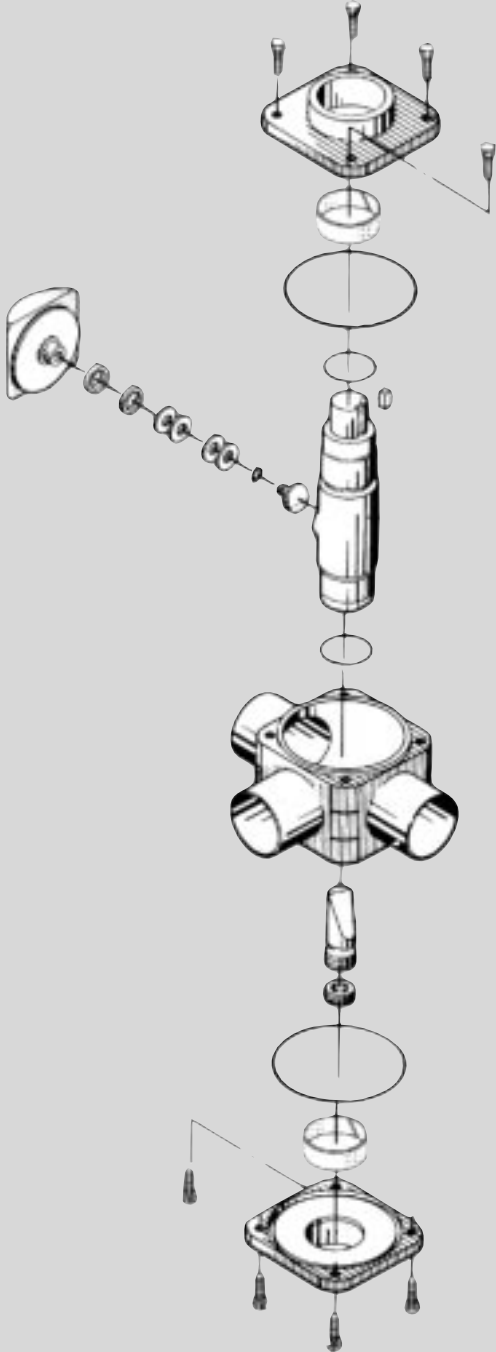
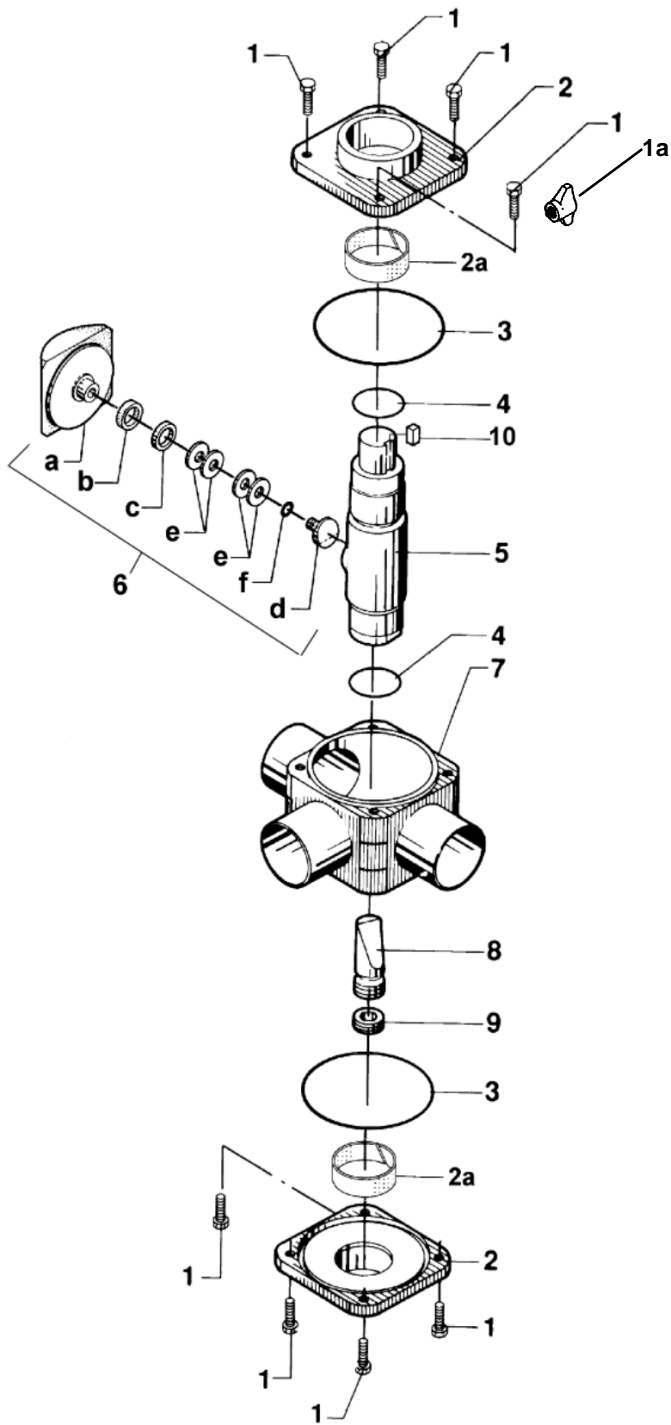


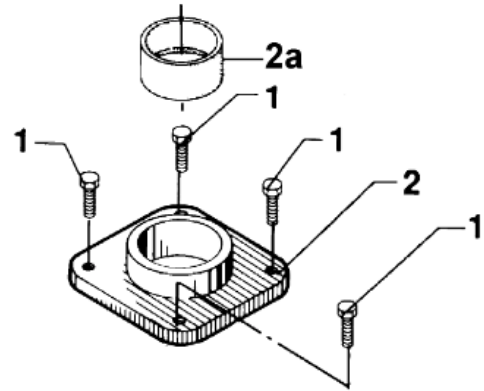
Spare Parts List

AH Koltek Shutter Valve





Bearing and lid for bearing



Koltek Shutter Valve AH

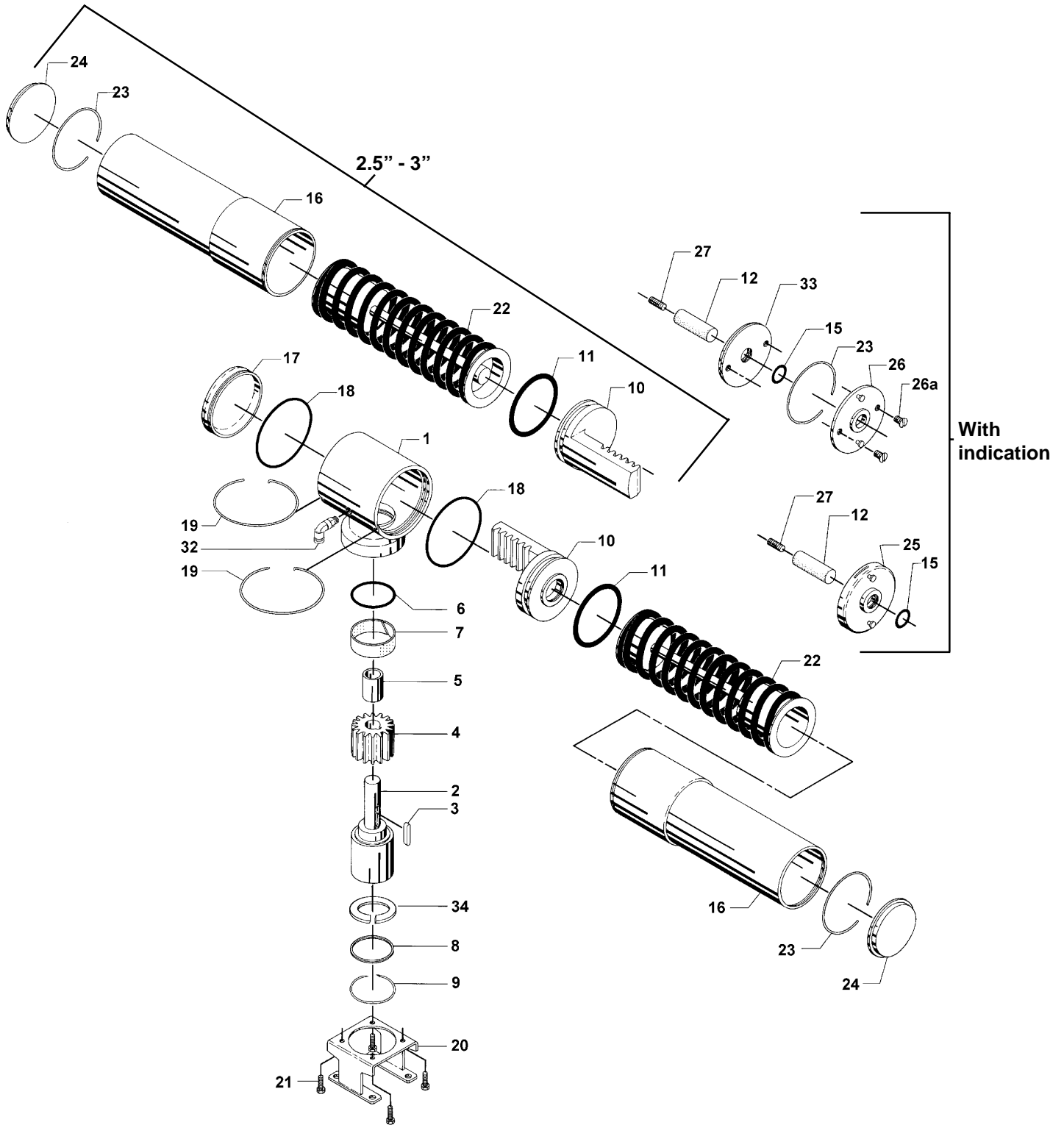
Pos.	Qty.	Description	0.5-1" Part No.	1.5" Part No.	2" Part No.	2.5" Part No.	3" Part No.	4" Part No.
1*	8	Threaded stud	9611-99-3039	9611-99-3039	9611-99-3410	9611-99-3410	9611-99-3041	9611-99-3041
1a*	16	Wing nut (3-4")	N/A	N/A	N/A	N/A	9612-44-5902	9612-44-5902
2	2	Lid for guide ring (standard)	9612-5111-01	9612-5112-01	9612-5113-02	9612-5114-02	9612-5115-02	9612-5135-02
	2	Lid for bearing ("Old type")	9612-3951-02	9612-3952-02	9612-3949-02	9612-3953-02	9612-5115-01	9612-3956-02
2a	2	Guide ring (standard)	9612-5116-01	9612-5116-02	9612-5116-03	9612-5116-04	9612-5116-04	9612-5116-05
	2	Bearing, bronze (for "old lid")	9612-3950-01	9612-3950-02	9612-3950-03	9612-3950-04	3612-3950-05	9612-3950-06
	2	Bearing, PTFE (for "old lid")	9612-3957-01	9612-3957-02	9612-3957-03	9612-3957-04	9612-3957-05	9612-3957-06
3Δ	2	Lid O-ring, EPDM Lid (standard)	9611-99-2226	9611-99-2243	9611-99-2237	9611-99-2240	9611-99-1137	9611-99-2248
	2	Lid O-ring, NBR	9611-99-2225	9611-99-2242	9611-99-2236	9611-99-2239	9611-99-2228	9611-99-2247
	2	Lid O-ring, FPM	9611-99-2227	9611-99-2244	9611-99-2238	9611-99-2241	9611-99-2229	9611-99-2249
4Δ	2	Spindle O-ring, EPDM (standard)	9611-99-2250	9611-99-2252	9611-99-2255	9611-99-2255	9611-99-2255	260104-34
	2	Spindle O-ring, NBR	9611-99-3439	9611-99-3440	9611-99-2254	9611-99-2254	9611-99-2254	9611-99-0076
	2	Spindle O-ring, FPM	9611-99-1488	9611-99-2253	9611-99-2256	9611-99-2256	9611-99-2256	9611-99-3442
5	1	Shaft, AISI 316L turning spindle	9612-2627-01	9612-2628-01	9612-2629-01	9612-2630-01	9612-2631-01	9612-2633-01
6	1	Shutter unit, PTFE/316L (standard) ..	9612-2641-02	9612-2642-02	9612-2643-02	9612-2644-02	9612-2645-02	9612-2729-02
	1	Shutter unit, Flourosint/316L	9612-2641-04	9612-2642-04	9612-2643-04	9612-2644-04	9612-2645-04	9612-2729-04
	1	Shutter unit, PTFE/FPM	9612-2641-03	9612-2642-03	9612-2643-03	9612-2644-03	9612-2645-03	9612-2927-03
a	1	Shutter, PTFE (standard)	9612-3948-01	9612-3948-02	9612-3948-03	9612-3948-04	9612-3948-05	9612-3948-07
	1	Shutter, Flourosint	9612-3948-08	9612-3948-09	9612-3948-10	9612-3948-11	9612-3948-12	9612-3948-14
	1	Shutter, PTFE/FPM	9612-3948-15	9612-3948-16	9612-3948-17	9612-3948-18	9612-3948-19	9612-3948-21
b	1	Seal ring teflon washer	9612-3943-01	9612-3943-02	9612-3943-03	9612-3943-03	9612-3943-04	9612-3943-06
c	1	Support ring	9612-3942-01	9612-3942-02	9612-3942-02	9612-3942-02	9612-3942-03	9612-3942-05
d	1	Shutter wedge	9612-3944-01	9612-3944-02	9612-3944-02	9612-3944-03	9612-3944-04	9612-3944-06
e	4	Cup spring	9611-99-2315	9611-99-2316	9611-99-2316	9611-99-2317	9611-99-2318	9611-99-2320
fΔ	1	O-ring (Shutter)	223403-02	9611-99-0026	9611-99-0026	9611-99-2880	9611-99-2880	9611-99-2882
7	1	Valve body, 2-way ISO	9612-2655-04	9612-2656-04	9612-2657-04	9612-2686-04	9612-2687-04	9612-2689-04
	1	Valve body, 3-way ISO	9612-2655-05	9612-2656-05	9612-2657-05	9612-2686-05	9612-2687-05	9612-2689-05
8	1	Tightening wedge	9612-2690-01	9612-4516-01	9612-2692-01	9612-2693-01	9612-2694-01	9612-2696-01
9	1	Locking screw	9612-4008-01	9612-4008-01	9612-2698-01	9612-2698-01	9612-2698-01	9612-2699-01
10	1	Handle wedge	9612-4367-01	9612-4367-01	9612-4367-01	9612-4367-01	9612-4367-01	9612-4491-01
Δ	1	AH Service kit, EPDM	9611-92-4052	9611-92-4055	9611-92-4058	9611-92-4061	9611-92-4064	9611-92-4070
Δ	1	AH Service kit, NBR	9611-92-4053	9611-92-4056	9611-92-4059	9611-95-4062	9611-92-4065	9611-92-4071
Δ	1	AH Service kit, FPM	9611-92-4054	9611-92-4057	9611-92-4040	9611-92-4063	9611-92-4066	9611-92-4072

Parts marked with Δ are included in the service kits.

* 1 sizes 0.5" - 2.5" use 8 threaded studs.
1a sizes 3" - 4" wing nuts.

Recommended Spare Parts: Service kit

Alfa Laval



Actuator for Koltek Shutter Valve 630

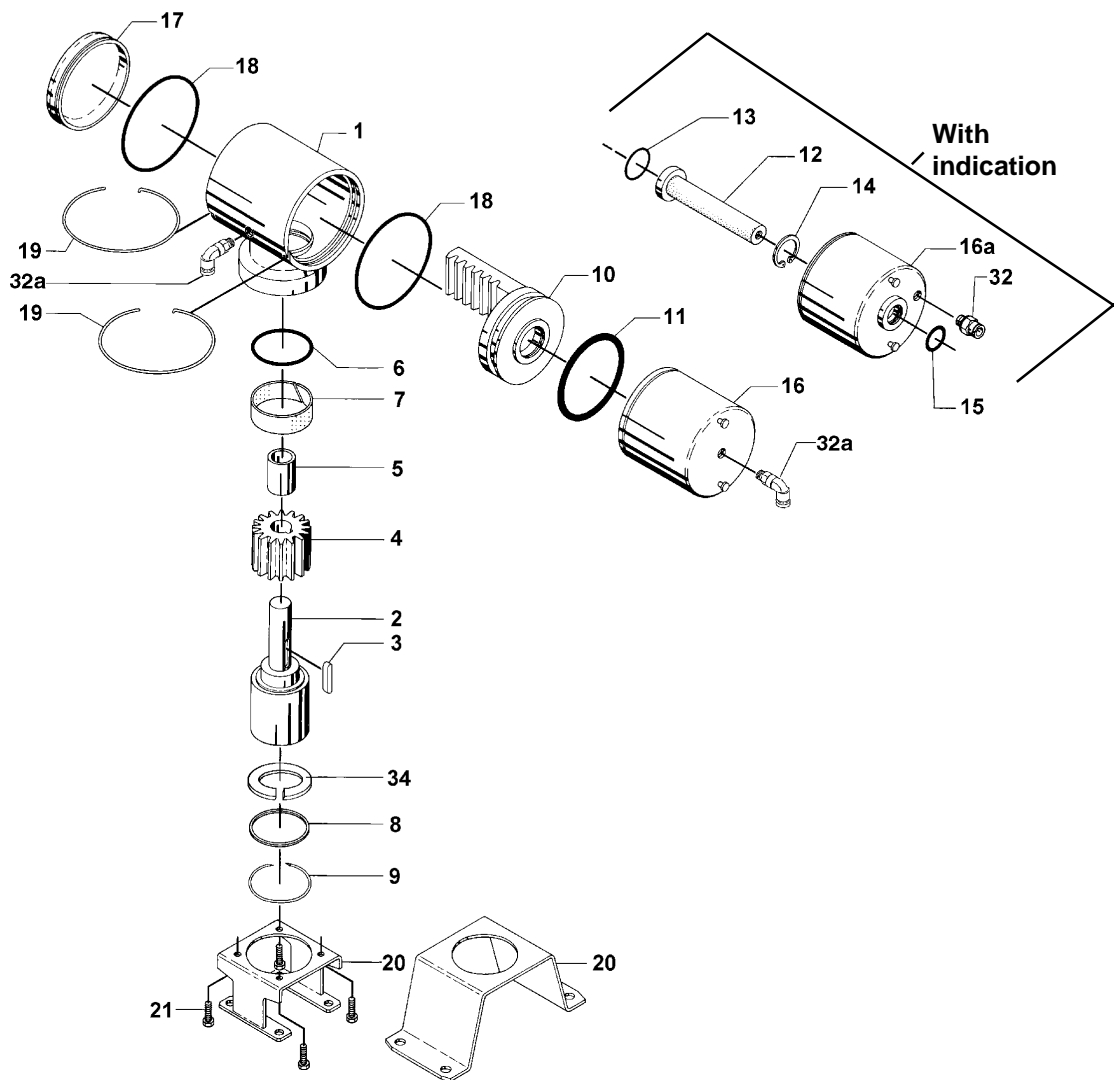
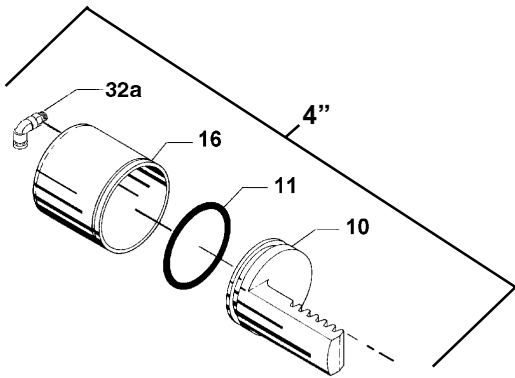
Pos.	Qty.	Description	1" - 2" w/o indication Part No.	1" - 2" with indication Part No.	2.5" - 3" w/o indication Part No.	2.5" - 3" with indication Part No.
1	1	Chassis	9612-4809-01	9612-4809-01	9612-4809-01	9612-4809-01
2	1	Spindle	9612-4796-01	9612-4796-01	9612-4796-01	9612-4796-01
3	1	Wedge	9612-4937-01	9612-4937-01	9612-4937-01	9612-4937-01
4	1	Gear wheel	9612-4795-01	9612-4795-01	9612-4795-01	9612-4795-01
5	1	Bearing	9611-99-3172	9611-99-3172	9611-99-3172	9611-99-3172
6Δ	1	O-ring	9611-99-1413	9611-99-1413	9611-99-1413	9611-99-1413
7Δ	1	Guide ring	9612-4938-01	9612-4938-01	9612-4938-01	9612-4938-01
8Δ	1	Bearing	9612-4941-01	9612-4941-01	9612-4941-01	9612-4941-01
9	1	Lock ring	9612-4803-01	9612-4803-01	9612-4803-01	9612-4803-01
10	1	Piston (1-2")	9612-4939-01	9612-4939-01	N/A	N/A
	2	Piston (2.5-3")	N/A	N/A	9612-4939-01	9612-4939-01
11Δ	1	O-ring (1-2")	9611-99-2233	9611-99-2233	N/A	N/A
	2	O-ring (2.5-3")	N/A	N/A	9611-99-2233	9611-99-2233
12	1	Indication stem	N/A	9612-5055-01	N/A	9612-5055-01
15Δ	1	O-ring	N/A	9611-99-2129	N/A	9611-99-2129
16	1	Cylinder (1-2")	9612-4819-01	9612-4819-01	N/A	N/A
	2	Cylinder (2.5-3")	N/A	N/A	9612-4948-01	9612-4948-01
17	1	Cylinder	9612-4797-01	9612-4797-01	N/A	N/A
18Δ	2	O-ring	9611-99-3170	9611-99-3170	9611-99-3170	9611-99-3170
19	2	Lock wire	9612-4825-01	9612-4825-01	9612-4825-01	9612-4825-01
20	1	Bonnet for AH 1"	9612-4959-01	9612-4959-01	N/A	N/A
	1	Bonnet for AH 1.5"	9612-4960-01	9612-4960-01	N/A	N/A
	1	Bonnet for AH 2"	9612-4961-01	9612-4961-01	N/A	N/A
	1	Bonnet for AH 2.5"	N/A	N/A	9612-4962-01	9612-4962-01
	1	Bonnet for AH 3"	N/A	N/A	9612-5051-01	9612-5051-01
21	4	Screw	221031-02	221031-02	221031-02	221031-02
22	1	Spring (1-2")	9612-5054-01	9612-5054-01	N/A	N/A
	2	Spring (2.5-3")	N/A	N/A	9612-5053-01	9612-5053-01
23	1	Lock wire (1-2")	9612-4944-01	9612-4944-01	N/A	N/A
	2	Lock wire (2.5-3")	N/A	N/A	9612-4952-01	9612-4952-01
24	1	Flange	9612-5065-01	N/A	N/A	9612-4949-01
	2	Flange	N/A	N/A	9612-4949-01	N/A
25	1	Flange for indication	N/A	9612-4945-01	N/A	N/A
26	1	Flange for indication	N/A	N/A	N/A	9612-4947-01
26a	2	Screw	N/A	N/A	N/A	9611-99-3173
27	1	Screw for indication stem	N/A	9611-99-3436	N/A	9611-99-3436
32	1	Air fitting	881-249420	881-249420	881-249420	881-249420
33	1	Guide for indication	N/A	N/A	N/A	9612-4951-01
34	1	Spindle extension (only for AH 1")	9612-4820-01	9612-4820-01	N/A	N/A
Δ	1	Service kit for the 630 actuator	9611-92-4175	9611-92-4176	9611-92-4177	9611-92-4178

Parts marked with Δ are included in the 630 actuator service kit.

Note: 1" Actuator is used for 1/2" and 3/4" valve.

Recommended Spare Parts: Service kit

Alfa Laval

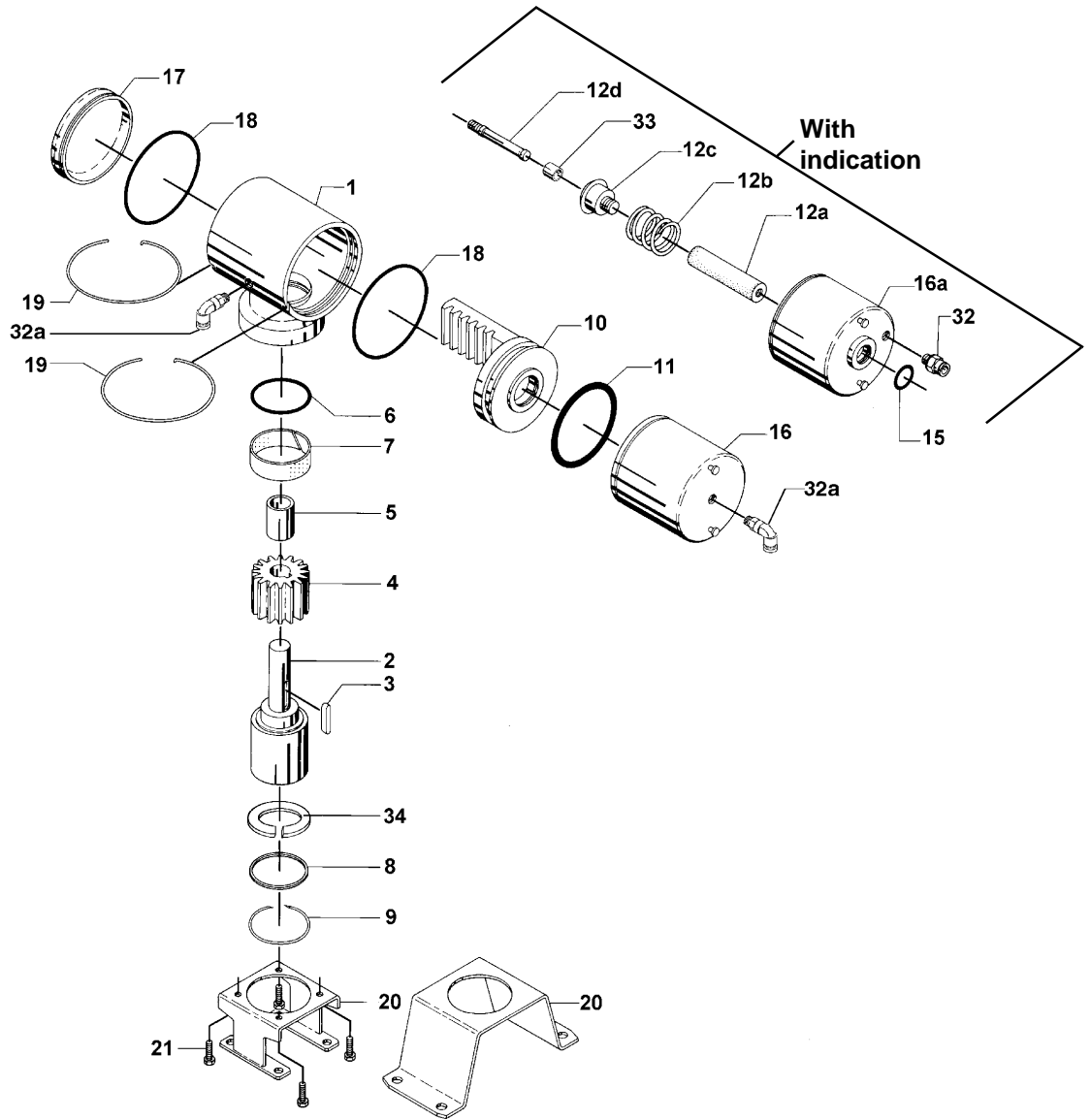
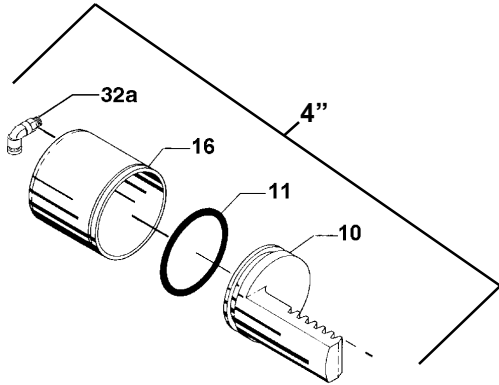


Actuator for Koltek Shutter Valve 631

Pos.	Qty.	Description	1" - 2" w/o indication Part No.	1" - 2" with indication Part No.	2.5" - 4" w/o indication Part No.	2.5" - 4" with indication Part No.
1	1	Chassis	9612-4809-01	9612-4809-01	9612-4809-01	9612-4809-01
2	1	Spindle	9612-4796-01	9612-4796-01	9612-4933-01	9612-4933-01
3	1	Wedge	9612-4937-01	9612-4937-01	9612-4937-01	9612-4937-01
4	1	Gear wheel	9612-4795-01	9612-4795-01	9612-4795-01	9612-4795-01
5	1	Bearing	9611-99-3172	9611-99-3172	9611-99-3172	9611-99-3172
6Δ	1	O-ring	9611-99-1413	9611-99-1413	9611-99-1413	9611-99-1413
7Δ	1	Guide ring	9612-4938-01	9612-4938-01	9612-4938-01	9612-4938-01
8Δ	1	Bearing	9612-4941-01	9612-4941-01	9612-4941-01	9612-4941-01
9	1	Lock ring	9612-4803-01	9612-4803-01	9612-4803-01	9612-4803-01
10	1	Piston (1-2")	9612-4939-01	9612-4939-01	N/A	N/A
	2	Piston (2.5-4")	N/A	N/A	9612-4939-01	9612-4939-01
11Δ	1	O-ring (1-2")	9611-99-2233	9611-99-2233	N/A	N/A
	2	O-ring (2.5-4")	N/A	N/A	9611-99-2233	9611-99-2233
12	1	Indication stem	N/A	9612-4805-01	N/A	9612-4805-01
13	1	O-ring	N/A	9611-99-0096	N/A	9611-99-0096
14	1	Circlip	N/A	9611-99-3171	N/A	9611-99-3171
15Δ	1	O-ring	N/A	9611-99-2129	N/A	9611-99-2129
16	1	Cylinder	9612-4799-03	N/A	N/A	9612-4799-03
	2	Cylinder	N/A	N/A	9612-4799-03	N/A
16a	1	Cylinder	N/A	9612-4800-01	N/A	9612-4800-01
17	1	Cylinder	9612-4797-01	9612-4797-01	N/A	N/A
18Δ	2	O-ring	9611-99-3170	9611-99-3170	9611-99-3170	9611-99-3170
19	2	Lock wire	9612-4825-01	9612-4825-01	9612-4825-01	9612-4825-01
20	1	Bonnet for AH 1"	9612-4959-01	9612-4959-01	N/A	N/A
	1	Bonnet for AH 1.5"	9612-4960-01	9612-4960-01	N/A	N/A
	1	Bonnet for AH 2"	9612-4961-01	9612-4961-01	N/A	N/A
	1	Bonnet for AH 2.5"	9612-4962-01	9612-4962-01	N/A	N/A
	1	Bonnet for AH 3"	9612-5051-01	9612-5051-01	N/A	N/A
	1	Bonnet for AH 4"	N/A	N/A	9612-4808-01	9612-4808-01
21	4	Screw	221031-02	221031-02	221031-02	221031-02
32	1	Air fitting	N/A	9611-99-2563	N/A	9611-99-2563
32a	2	Air fitting	881-249420	881-249420	N/A	N/A
	3	Air fitting	N/A	N/A	881-249420	881-249420
34	1	Spindle extension (only for AH 1")	9612-4820-01	9612-4820-01	N/A	N/A
Δ	1	Service kit for the 631 actuator	9611-92-4175	9611-92-4176	9611-92-4177	9611-92-4178

Parts marked with Δ are included in the 631 actuator service kit.

Note: 1" Actuator is used for 1/2" and 3/4" valve.

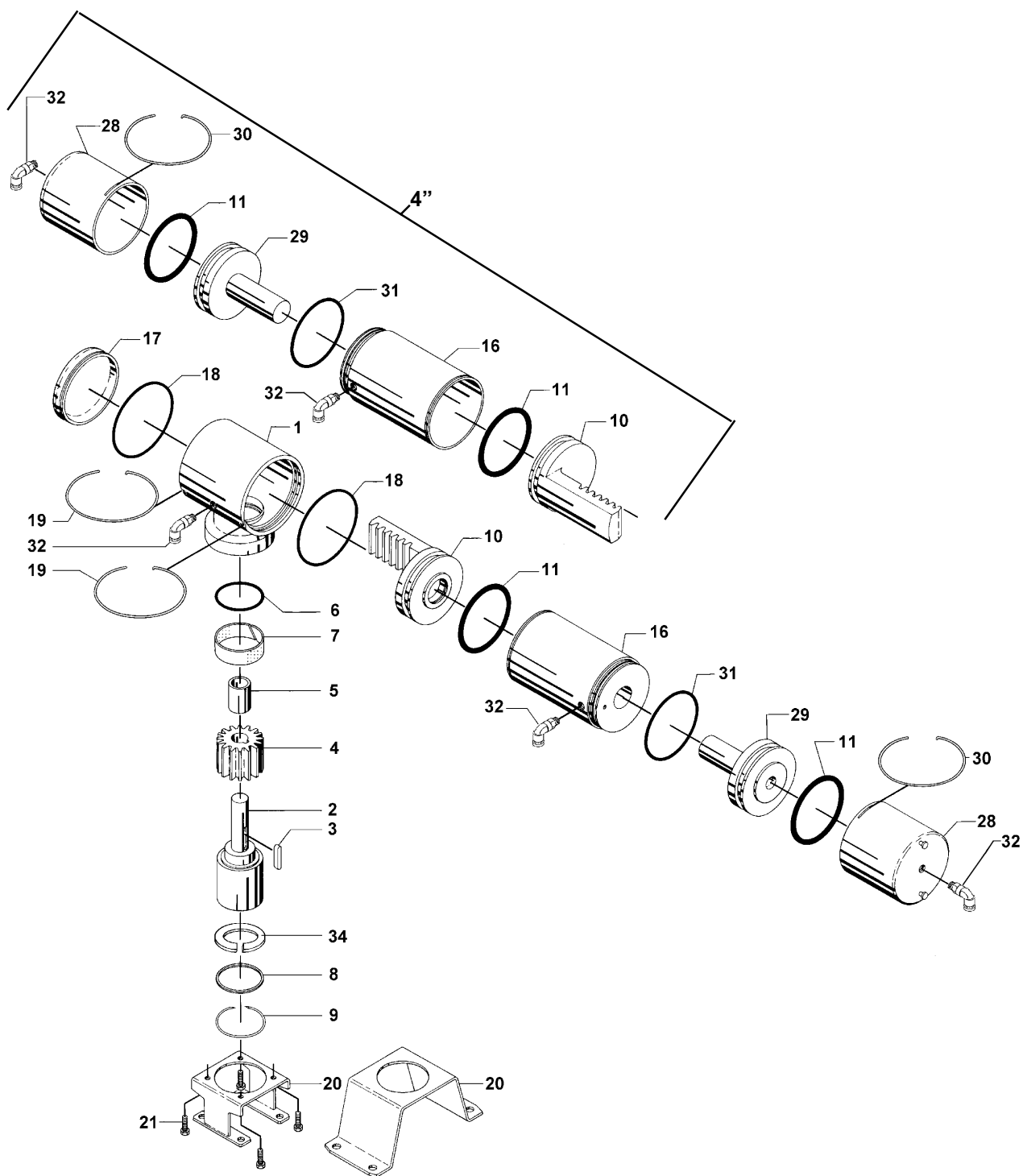


Actuator for Koltek Shutter Valve 632

Pos.	Qty.	Description	1" - 3" w/o indication Part No.	1" - 3" with indication Part No.	4" w/o indication Part No.	4" with indication Part No.
1	1	Chassis	9612-4809-01	9612-4809-01	9612-4809-01	9612-4809-01
2	1	Spindle	9612-4796-01	9612-4796-01	9612-4933-01	9612-4933-01
3	1	Wedge	9612-4937-01	9612-4937-01	9612-4937-01	9612-4937-01
4	1	Gear wheel	9612-4795-01	9612-4795-01	9612-4795-01	9612-4795-01
5	1	Bearing	9611-99-3172	9611-99-3172	9611-99-3172	9611-99-3172
6Δ	1	O-ring	9611-99-1413	9611-99-1413	9611-99-1413	9611-99-1413
7Δ	1	Guide ring	9612-4938-01	9612-4938-01	9612-4938-01	9612-4938-01
8Δ	1	Bearing	9612-4941-01	9612-4941-01	9612-4941-01	9612-4941-01
9	1	Lock ring	9612-4803-01	9612-4803-01	9612-4803-01	9612-4803-01
10	1	Piston	9612-4939-04	9612-4939-03	N/A	N/A
	1	Piston	N/A	N/A	N/A	9612-4939-02
	2	Piston	N/A	N/A	9612-4939-05	9612-4939-05
11Δ	1	O-ring	9611-99-2233	9611-99-2233	N/A	N/A
	2	O-ring	N/A	N/A	9611-99-2233	9611-99-2233
12a	1	Indication stem	N/A	9612-5063-01	N/A	9612-5063-01
b	1	Spring	N/A	9612-3700-01	N/A	9612-3700-01
c	1	Screw	N/A	9612-5067-01	N/A	9612-5067-01
d	1	Extension stem	N/A	9612-3694-01	N/A	9612-3694-01
15Δ	1	O-ring	N/A	9611-99-2129	N/A	9611-99-2129
16	1	Cylinder	9612-4799-02	N/A	N/A	9612-4799-04
	2	Cylinder	N/A	N/A	9612-4799-04	N/A
16a	1	Cylinder	N/A	9612-4800-02	N/A	9612-4800-03
17	1	Cylinder	9612-4799-01	9612-4799-01	N/A	N/A
18Δ	2	O-ring	9611-99-3170	9611-99-3170	9611-99-3170	9611-99-3170
19	2	Lock wire	9612-4825-01	9612-4825-01	9612-4825-01	9612-4825-01
20	1	Bonnet for AH 1"	9612-49-5901	9612-49-5901	N/A	N/A
	1	Bonnet for AH 1.5"	9612-4960-01	9612-4960-01	N/A	N/A
	1	Bonnet for AH 2"	9612-4961-01	9612-4961-01	N/A	N/A
	1	Bonnet for AH 2.5"	9612-4962-01	9612-4962-01	N/A	N/A
	1	Bonnet for AH 3"	9612-5051-01	9612-5051-01	N/A	N/A
	1	Bonnet for AH 4"	N/A	N/A	9612-4808-01	9612-4808-01
21	4	Screw	221031-02	221031-02	221031-02	221031-02
32	1	Air fitting	N/A	9611-99-2563	N/A	9611-99-2563
32a	2	Air fitting	881-249420	881-249420	N/A	N/A
	3	Air fitting	N/A	N/A	881-249420	881-249420
33	1	Bush	9611-99-3437	9611-99-3437	9611-99-3437	9611-99-3437
34	1	Spindle extention (only for AH 1")	9612-4820-01	9612-4820-01	N/A	N/A
Δ	1	Service kit for 632 actuator	9611-92-4175	9611-92-4176	9611-92-4177	9611-92-4178

Parts marked with Δ are included in the 632 Actuator service kit.

Note: 1" Actuator is used for 1/2" and 3/4" valve.

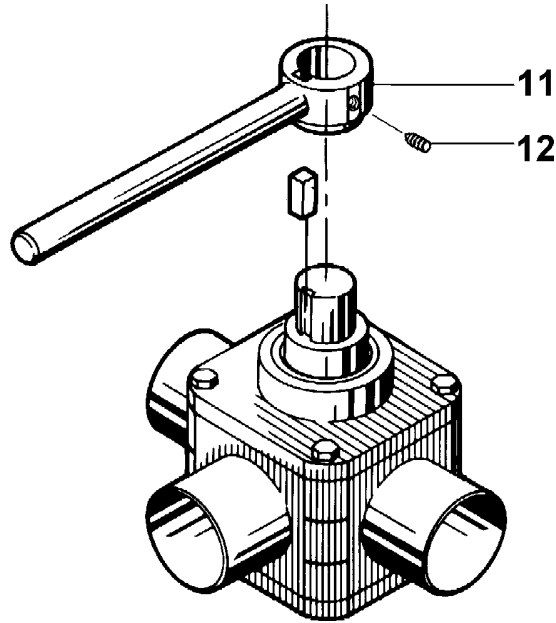


Actuator for Koltek Shutter Valve 633

Pos.	Qty.	Description	1" - 3" Part No.	4" Part No.
1	1	Chassis	9612-4809-01	9612-4809-01
2	1	Spindle	9612-4796-01	9612-4933-01
3	1	Wedge	9612-4937-01	9612-4937-01
4	1	Gear wheel	9612-4795-01	9612-4795-01
5	1	Bearing	9611-99-3172	9611-99-3172
6Δ	1	O-ring	9611-99-1413	9611-99-1413
7Δ	1	Guide ring	9612-4938-01	9612-4938-01
8Δ	1	Bearing	9612-4941-01	9612-4941-01
9	1	Lock ring	9612-4803-01	9612-4803-01
10	1	Piston	9612-4939-04	N/A
	2	Piston	N/A	9612-4939-05
11Δ	2	O-ring	9611-99-2233	N/A
	4	O-ring	N/A	9611-99-2233
16	1	Cylinder	9612-4822-01	N/A
	2	Cylinder	N/A	9612-4822-02
17	1	Cylinder	9612-4799-01	N/A
18Δ	2	O-ring	9611-99-3170	9611-99-3170
19	2	Lock wire	9612-4825-01	9612-4825-01
20	1	Bonnet for AH 1"	9612-4959-01	N/A
	1	Bonnet for AH 1.5"	9612-4960-01	N/A
	1	Bonnet for AH 2"	9612-4961-01	N/A
	1	Bonnet for AH 2.5"	9612-4962-01	N/A
	1	Bonnet for AH 3"	9612-5051-01	N/A
	1	Bonnet for AH 4"	N/A	9612-4808-01
21	4	Screw	221031-02	221031-02
28	1	Auxiliary cylinder	9612-4823-01	N/A
	2	Auxiliary cylinder	N/A	9612-4823-01
29	1	Auxiliary piston	9612-4824-01	N/A
	2	Auxiliary piston	N/A	9612-4824-01
30	1	Lock wire	9612-4958-01	N/A
	2	Lock wire	N/A	9612-4958-01
31	1	O-ring	9611-99-2236	N/A
	2	O-ring	N/A	9611-99-2236
32	3	Air fitting	881-249420	N/A
	5	Air fitting	N/A	881-249420
34	1	Spindle extension (only for AH 1")	9612-4820-01	9612-4820-01
Δ	1	Service kit for 633 actuator	9611-92-4179	9611-92-4180

Parts marked with Δ are included in the 633 actuator service kit.

Note: No Top Unit available - only side mount lateral end.



SMS, ISO, BS

2-way

Pos.	Qty.	Description	0.5" - 1.5" Part No.	2" - 2.5" Part No.	3" Part No.	4" Part No.
11	1	Handle (incl. pos.12)	9612-4362-04	9612-4362-05	9612-4362-06	9612-4490-02
12	1	Pointed screw	9611-99-3004	9611-99-3004	9611-99-3004	9611-99-3038

3-way

Pos.	Qty.	Description	0.5" - 1.5" Part No.	2" - 2.5" Part No.	3" Part No.	4" Part No.
11	1	Handle (incl. pos. 12)	9612-4362-01	9612-4362-02	9612-4362-03	9612-4490-01
12	1	Pointed screw	9611-99-3004	9611-99-3004	9611-99-3004	9611-99-3038