

PARTS LIST

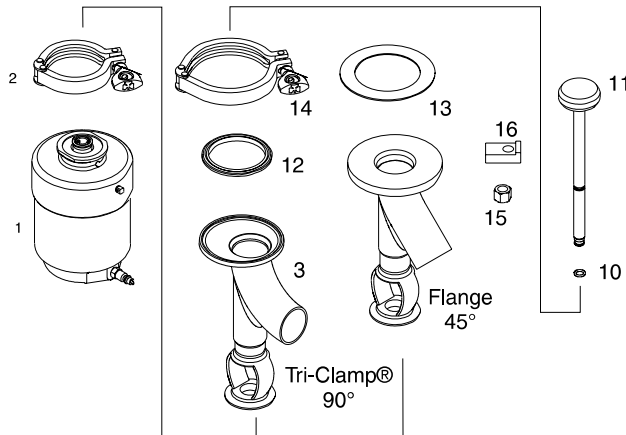
KETTLE (ELBOW VALVES)

All orders for repair parts must contain the following data:

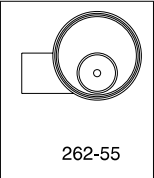
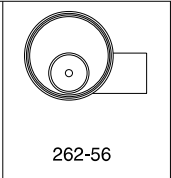
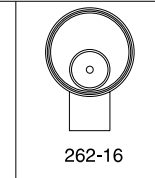
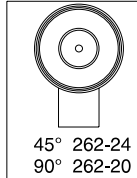
1. Complete model number (located on the actuator nameplate), including size.
2. Valve serial number (located on the nameplate).
3. Description and part number from the parts list.

The following exploded view and accompanying parts list facilitate ordering repair parts from the factory. All parts illustrated are indexed to the parts list by key numbers.

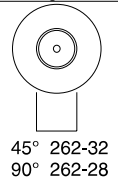
Model	Ferrule	Size	Valve Unit
262-21 Size	32-82-3	2, 2½	262-20 Size
	32-82-4	3, 4	
262-22 Size	32-154	2, 2½	262-16 Size
	32-595	3, 4	
262-29 Size	32-121	2, 2½, 3	262-28 Size
	32-180	4	
262-31 Size	32-84-3	2, 2½	262-20 Size
	32-84-4	3, 4	
262-33 Size	32-121	2, 2½, 3	262-32 Size
	32-180	4	
262-35 Size	32-84-3	2, 2½	262-24 Size
	32-84-4	3, 4	
262-57 Size	32-154	2, 2½	262-55 Size
	32-595	3, 4	
262-58 Size	32-154	2, 2½	262-56 Size
	32-595	3, 4	



Tri-Clamp® Bodies



Flange Bodies



KETTLE VALVE PORT CONFIGURATION
Bottom View - Looking into valve body through mounting end.

PARTS LIST

Kettle (Elbow) Valves

1	Actuator	25-262-210-S	25-262-210-S	25-262-210-s	25-405-210-S	1
2	Actuator Clamp	13MHHM-2-S	13MHHM-2-S	13MHHM-2-S	13MHHM-2-S	1
* 3	Valve Body, Model 262-16	7-835A-2-316	7-835A-2½-316	7-835E-3-316	7-835A-4-316	1
* 4	Valve Body, Model 262-20A	7-830A-2-316	7-830A-2½-316	7-830E-3-316	7-830B-4-316	1
* 5	Valve Body, Model 262-24A	7-825A-2-316	7-825A-2½-316	7-825E-3-316	7-825D-4-316	1
* 6	Valve Body, Model 262-28A	7-831A-2-316	7-831A-2½-316	7-831A-3-316	7-831B-4-316	1
* 7	Valve Body, Model 262-32	7-826C-2-316	7-826C-2½-316	7-826C-3-316	7-826D-4-316	1
* 8	Valve Body, Model 262-55A	7-833A-2-316	7-833A-2½-316	7-833C-3-316	7-833B-4-316	1
* 9	Valve Body, Model 262-56A	7-834A-2-316	7-834A-2½-316	7-834C-3-316	7-834B-4-316	1
• 10	O-ring, Valve body stem	17-1-U	17-5-U	17-5-U	17-17-U	1
• 11	Valve plug assembly	19-1068B-2-316	19-1068B-2½-316	19-1068B-3-316	19-1222-4-316	1
* 11A	Coupler Nut				Nu2000J-SS	1
• 12	Gasket-all Models except 262-28 & 32	17-62-3-U	17-62-3-U	17-62-4½-U	17-62-4½-U	1
• 13	Gasket-Models 262-28 & 32	17-64-U	17-64-U	17-64-U	17-90-U	1
14	Body clamp, Models 262-16, 20, 24, 55 & 56	H13MHHM-3-S	H13MHHM-3-S	H13MHHM-4-S	H13MHHM-4-S	1
15	Nut-Models 262-28 & 32	13-38-S	13-38-S	13-38-S	13-38-S	4
16	Clamp-Models 262-28 & 32	16-41-S	16-41-S	16-41-S	16-41-S	4

* Note: Specify the type of port connections required.

* Note: It is recommended that one each of these items be stocked as parts.

+ Note: For 4" valve models with extra heavy stem option, refer to parts list shown below.

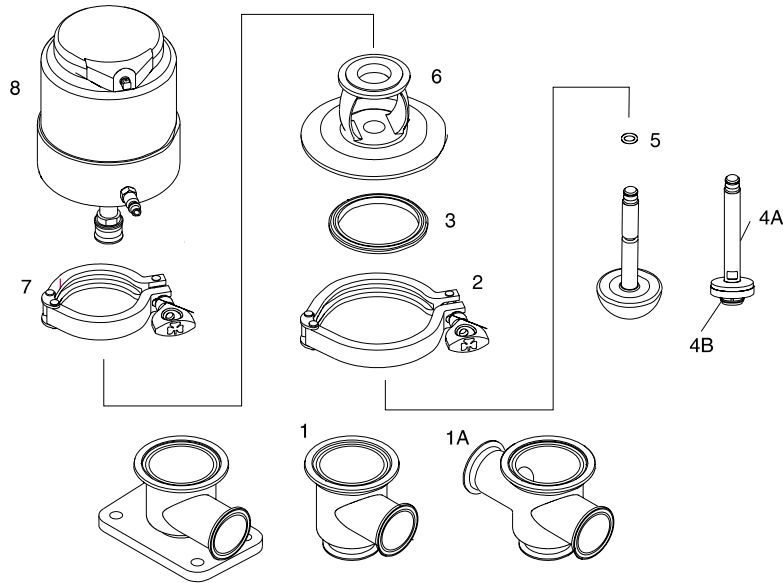
PARTS LIST

TANK (TEE TYPE) VALVES

All orders for repair parts must contain the following data.

1. Complete model number (located on actuator nameplate), including size.
2. Valve serial number (located on actuator nameplate), including size.
3. Description and part number from the parts list.

The following exploded view and accompanying parts list facilitate ordering repair parts from the factory. All parts illustrated are indexed to the parts list by key numbers.



Kettle (Elbow) Valves

1 (262-13 Only)

Key #	Description	1½"	2"	2½"	3"
* 1	Valve Body, Model 262-47	7--676R-1½-316	7--676R-2-316	7--676R-2½-316	7--676R-3-316
* 1	Valve Body, Model 262-48	7--676L-1½-316	7--676L-2-316	7--676L-2½-316	7--676L-3-316
* 1	Valve Body, Model 262-49	7-947-1½-316	7-947-2-316	7-947-2½-316	7-947-3-316
* 1	Valve Body, Model 262-50	7-948-1½-316	7-948-2-316	7-948-2½-316	7-948-3-316
+ 1	Valve Body, Model 262-13	7--575T-1½-316	7--575T-2-316	7--575T-2½-316	7--575T-3-316
* 1	Valve Body, Model 262-123	7--531T-1½-316	7--531T-2-316	7--531T-2½-316	7--531T-3-316
* 1A	Valve Body, Model 262-51	7--676C-1½-316	7--676C-2-316	7--676C-2½-316	7--676C-3-316
* 1A	Valve Body, Model 262-52	7-969-1½-316	7-969-2-316	7-969-2½-316	7-969-3-316
2	Body clamp	13MHHM-3-S	13MHHVM-3-S	13MHHVM-4-S	13MHHM-5-S
* 3	Body gasket	17-62-2-316	17-62-2½-316	17-62-3½-316	17-62-4-316
* 4	Valve plug assembly, Model 262-47 & 52	19-1024-1½-316	19-1024-2-316	19-1024-2½-316	19-1024-3-316
* 4	Valve plug assembly, Models 262-13 & 123	19-571-1½-316	19-571-2-316	19-571-2½-316	19-571-3-316
4A	"TR" Seat Assembly	19TR1301-1½-316L	19TR1301-2-316L	19TR1301-2½-316L	19TR1301-3-316L
4B	"TR" Snap-On Seat	20-514C-1½	20-514C-2	20-514C-2½	20-514C-3
* 5	O-ring, valve plug stem	17-1	17-1	17-5	17-5
6	Valve bonnet	12-146-1½-316	12-146-2-316	12-146-2½-316	12-146-3-316
7	Actuator clamp	13MHHM-2-S	13MHHM-2-S	13MHHM-2-S	13MHHM-2-S
8	Actuator - Type 220 Normally closed, Air to open	25-361-220-S	25-361-220-S	25-361-220-S	25-361-220-S

* Note: Specify the type of port connections required.

* Note: It is recommended that one each of these items be stocked as parts.

+ Note: 2: has two holes, 2½" and 3" have four holes.